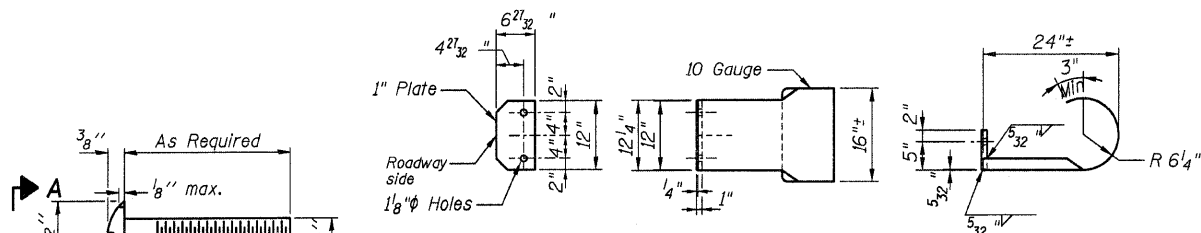
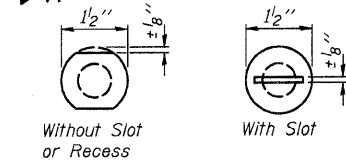


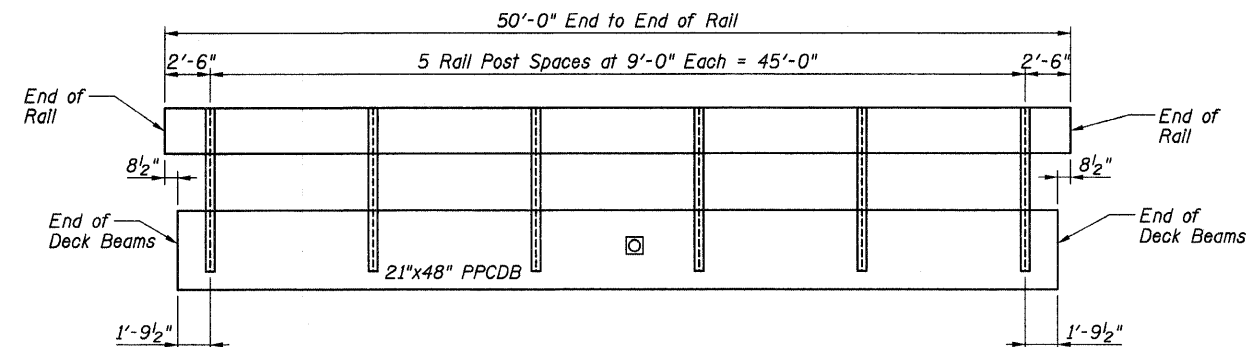
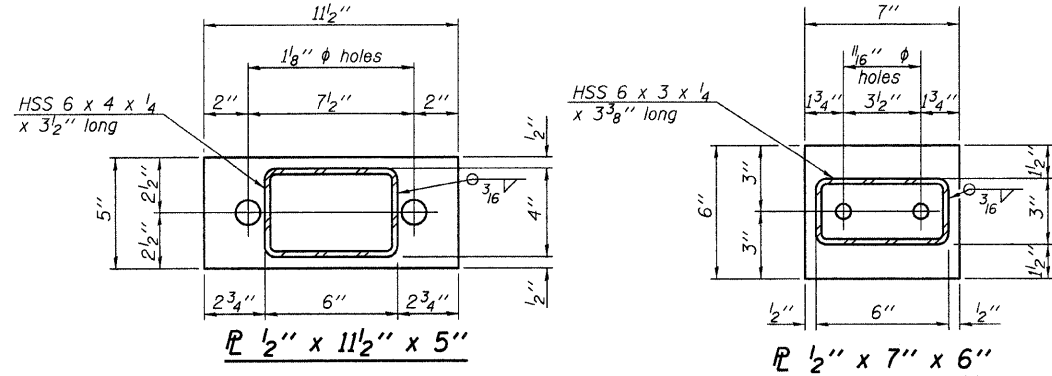
ROUTE	SECTION	COUNTY	TOTAL SHEETS	SHEET NO.
TR 437	05-10121-00-BR	FAYETTE	10	9
FED. ROAD DIST. NO. 7	ILLINOIS	FED. AID PROJECT		
CONTRACT NO. 95550				



**CURLLED END SECTION DETAILS**

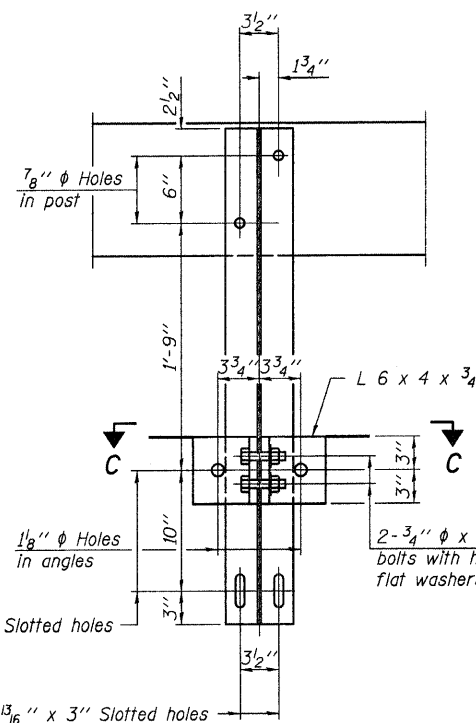


**VIEW A-A ROUND HEAD BOLT**

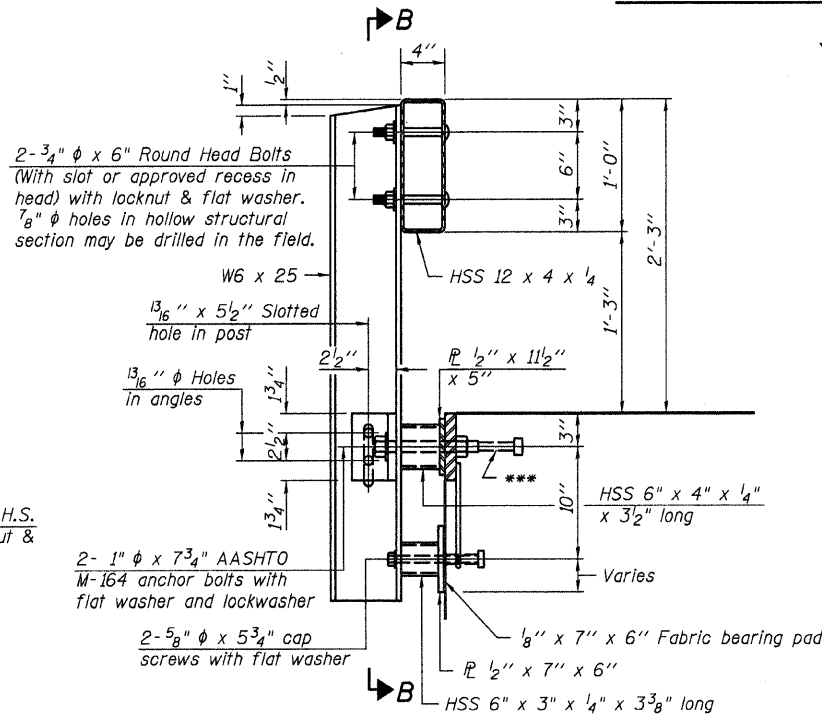


**ELEVATION**

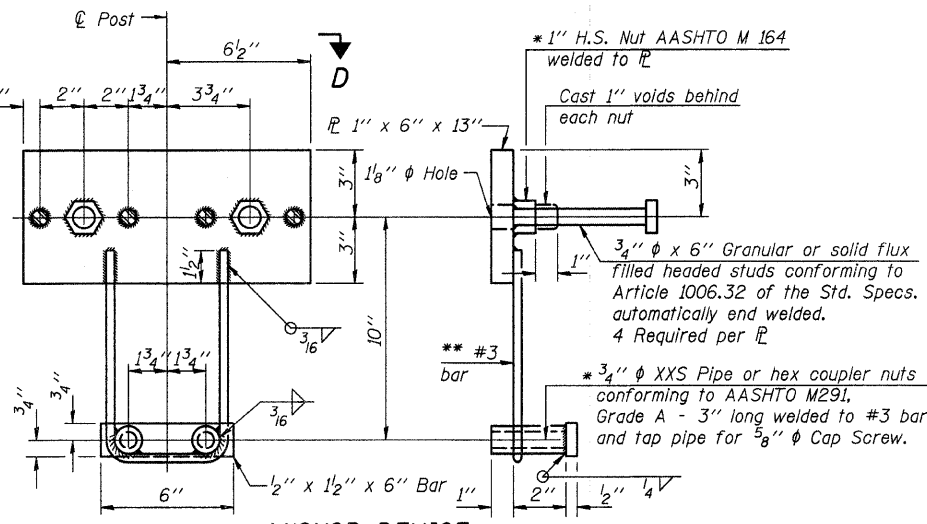
Note: The cost of the Curled End Sections shall be included in the contract unit price per foot for "STEEL RAILING, TYPE S1", and no additional compensation will be allowed.



**SECTION B-B**

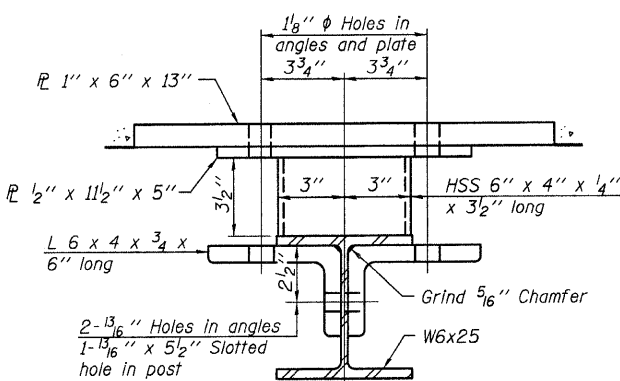


**SECTION AT RAILING POST**

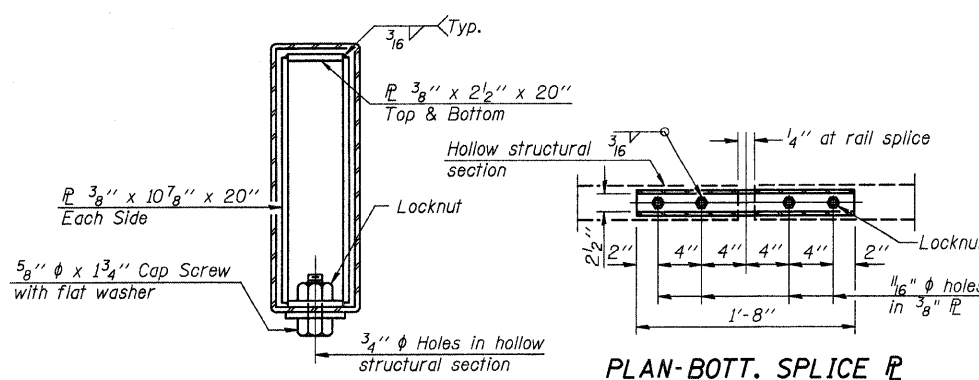


**ANCHOR DEVICE**

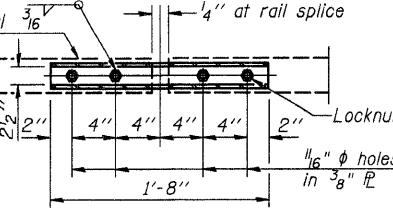
Notes:  
 All field drilled holes shall be coated with an approved zinc rich paint before erection.  
 For multi-span bridges, sufficient 1/4 inch x 6 inch x 1-2 inch galvanized steel shims shall be provided to align rail between adjacent spans. Cost included with Steel Railing, Type S1.  
 All steel rail elements shall be galvanized according to Article 509.05 of the Standard Specifications.  
 \*\*\* The studs of the anchor devices shall be placed below the top reinforcement bars and the outermost longitudinal reinforcement bar shall be placed directly above the studs of the rail post anchor device.



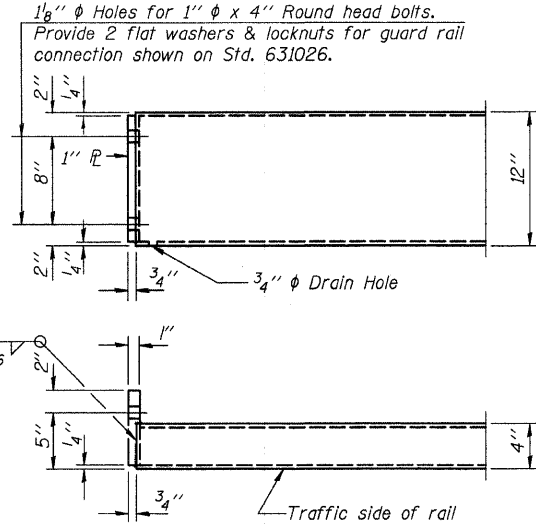
**SECTION C-C**



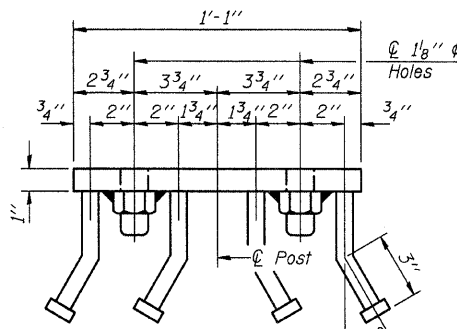
**SECTIONS AT RAIL SPLICE**



**PLAN-BOTT. SPLICE TYPICAL**



**END OF RAIL DETAILS**



**VIEW D-D**

**BILL OF MATERIAL**

Item	Unit	Quantity
Steel Railing, Type S1	Foot	100

**STEEL RAILING, TYPE S1 DETAILS**  
 PROPOSED BRIDGE OVER TRIBUTARY TO LITTLE HICKORY CREEK  
 TR 437  
 SECTION 05-10121-00-BR  
 FAYETTE, ILLINOIS

07/09/2008