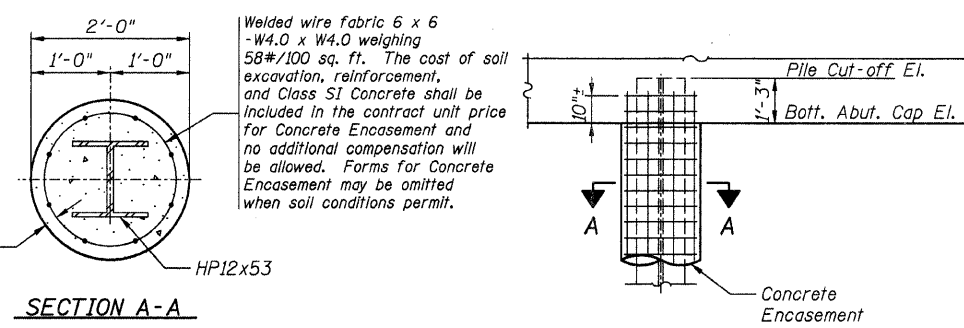
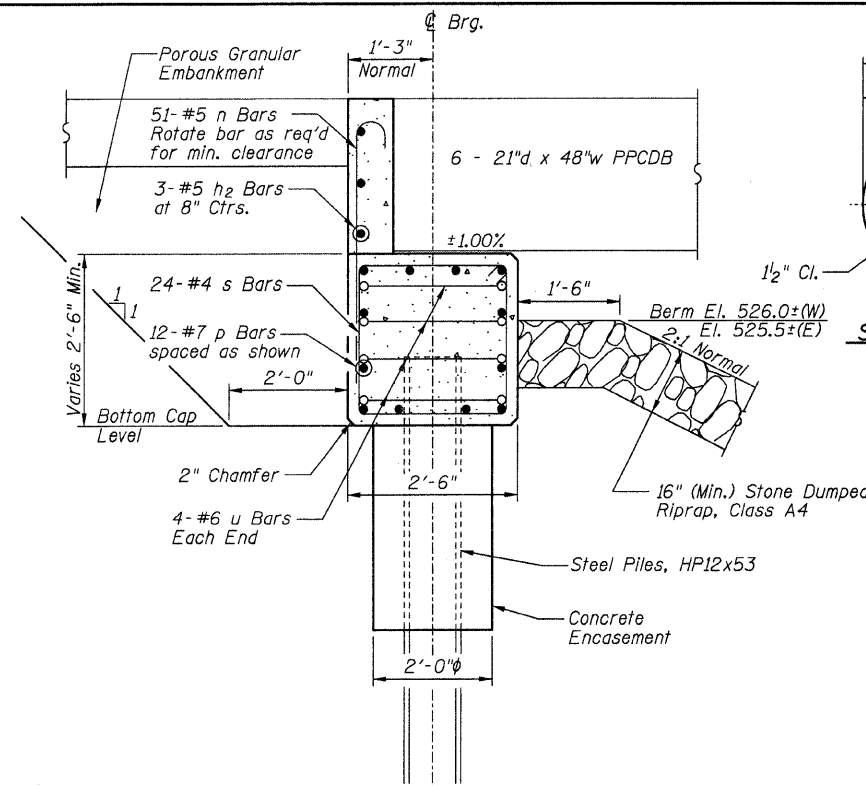
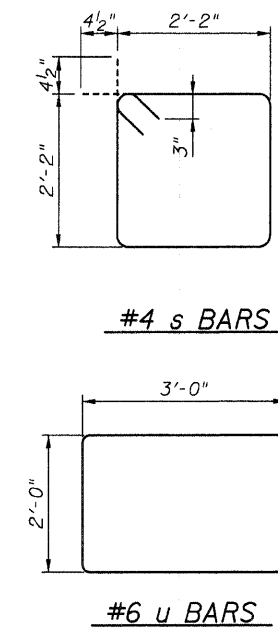
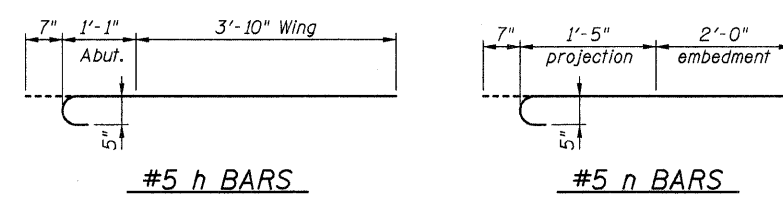


ROUTE	SECTION	COUNTY	TOTAL SHEETS	SHEET NO.
TR 437	05-10121-00-BR	FAYETTE	10	10
FED. ROAD DIST. NO. 7		ILLINOIS	FEDERAL AID PROJECT	
CONTRACT NO. 95550				



PILE ENCASEMENT DETAIL



**PILE DATA**

Type and Size: Steel HP12x53

Nominal Required Bearing: 419 kips

Allowable Resistance Available: 139 kips

Estimated Length:  
West Abutment: 38 Foot  
East Abutment: 39 Foot

Number of Production Piles:  
West Abutment: 4 Each  
East Abutment: 3 Each

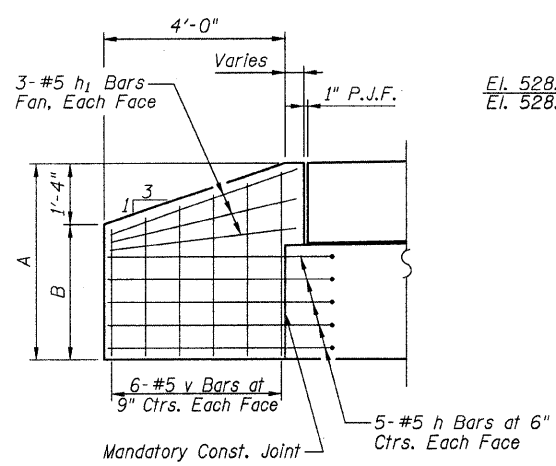
Number of Test Piles:  
West Abutment: None  
East Abutment: 1 Each

**BILL OF MATERIALS**  
**ONE ABUTMENT w/ WINGWALLS**

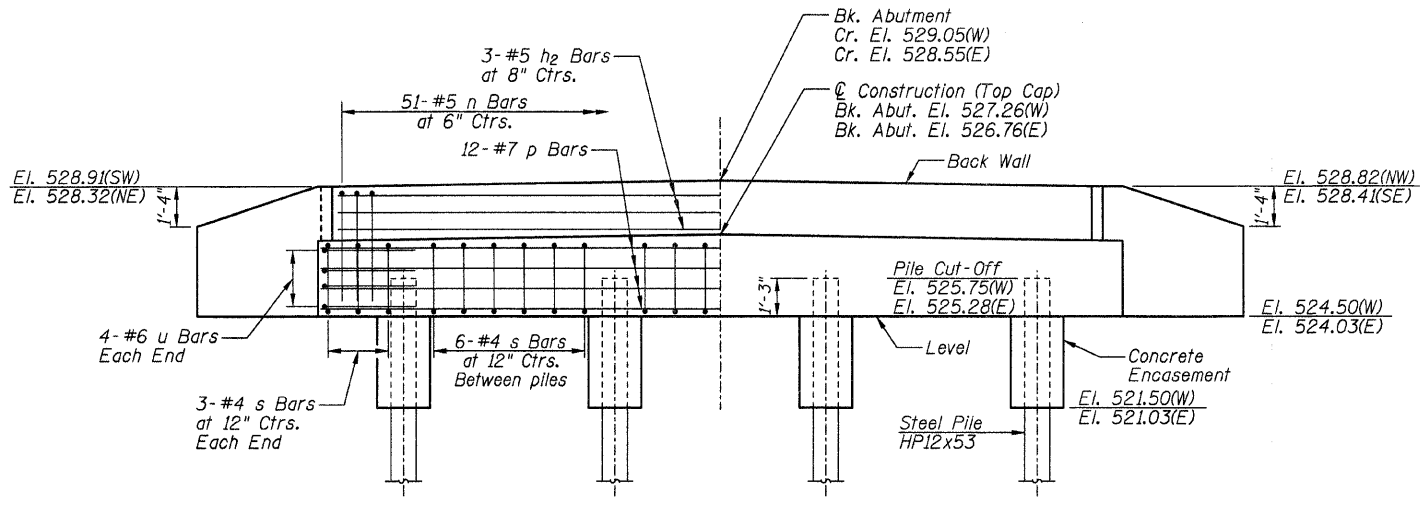
Bar	No.	Size	Length	Shape
h	20	#5	5'-6"	
h <sub>1</sub>	12	#5	4'-3"	
h <sub>2</sub>	3	#5	25'-0"	
n	51	#5	4'-0"	
p	12	#7	26'-4"	
s	24	#4	9'-5"	
u	8	#6	8'-0"	
v	24	#5	4'-0"	CUT IN FIELD
Concrete Structures			Cu Yd	8.7
Concrete Encasement			Cu Yd	1.4
Reinforcement Bars			Pound	1450

SECTION THRU ABUTMENT

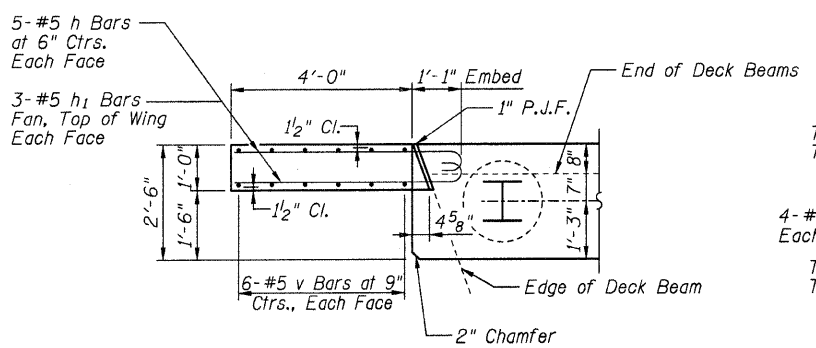
Wing	A	B
SW	4'-4 <sup>7</sup> / <sub>8</sub> "	3'-0 <sup>7</sup> / <sub>8</sub> "
NW	4'-3 <sup>7</sup> / <sub>8</sub> "	2'-11 <sup>7</sup> / <sub>8</sub> "
SE	4'-4 <sup>1</sup> / <sub>2</sub> "	3'-0 <sup>1</sup> / <sub>2</sub> "
NE	4'-3 <sup>1</sup> / <sub>2</sub> "	2'-11 <sup>1</sup> / <sub>2</sub> "



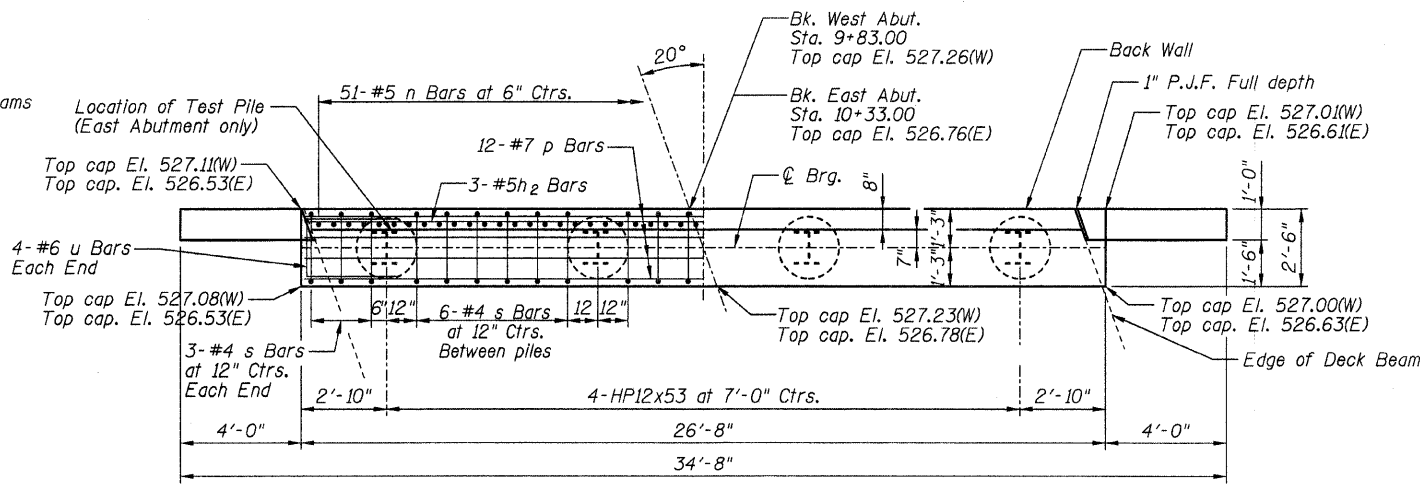
ELEVATION OF WINGWALL



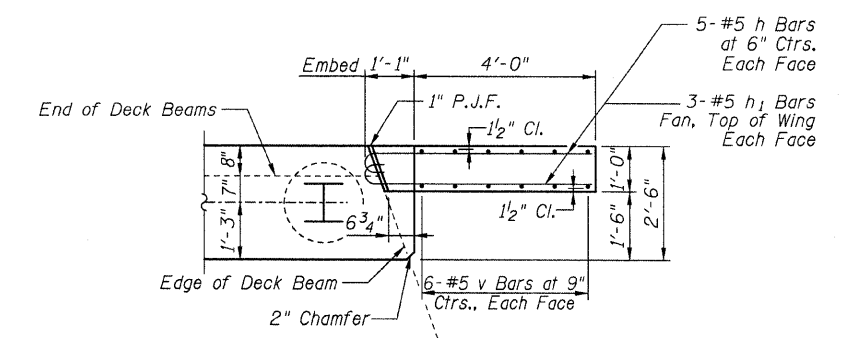
ELEVATION



WINGWALL CONNECTION DETAIL



PLAN



WINGWALL CONNECTION DETAIL

**ABUTMENT DETAILS**  
**PROPOSED BRIDGE OVER TRIBUTARY**  
**TO LITTLE HICKORY CREEK**  
**TR 437**  
**SECTION 05-10121-00-BR**  
**FAYETTE COUNTY, ILLINOIS**

07/09/2008