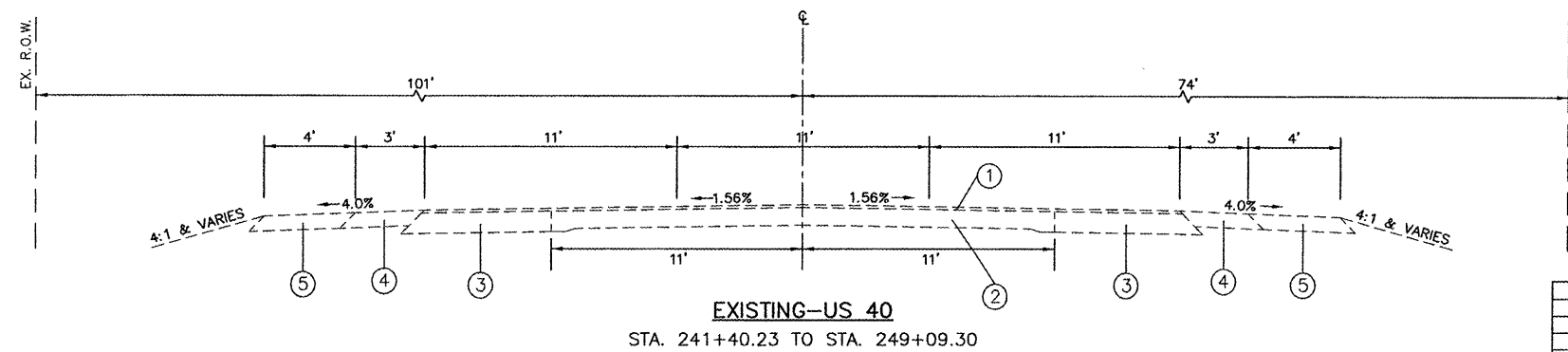
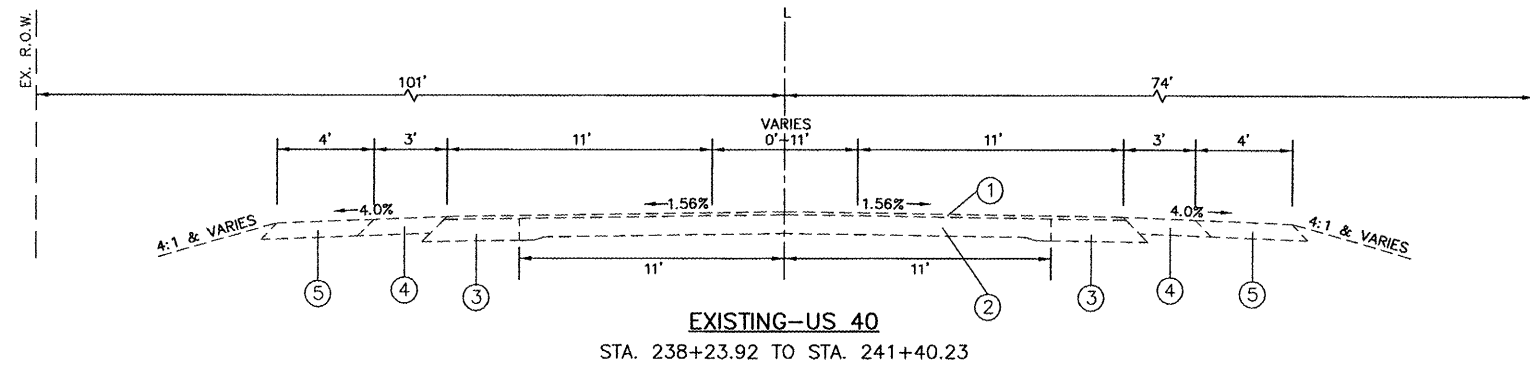


LEGEND	
①	EXISTING BITUMINOUS SURFACE COURSE, 3"
②	EXISTING CONCRETE PAVEMENT, 8"
③	EXISTING BITUMINOUS BASE COURSE, 11"
④	EXISTING BITUMINOUS SHOULDER, 8"
⑤	EXISTING AGGREGATE SHOULDER, 8"



REVISIONS	
NAME	DATE

EXISTING CONDITIONS
TYPICAL SECTIONS

US 40 AND
TROY-O'FALLON ROAD IMPROVEMENTS
CITY OF TROY
MADISON COUNTY, ILLINOIS