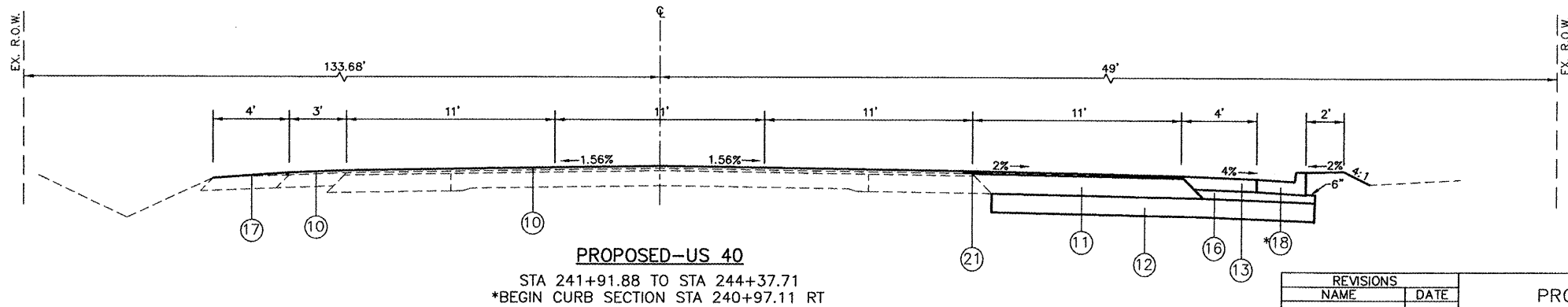
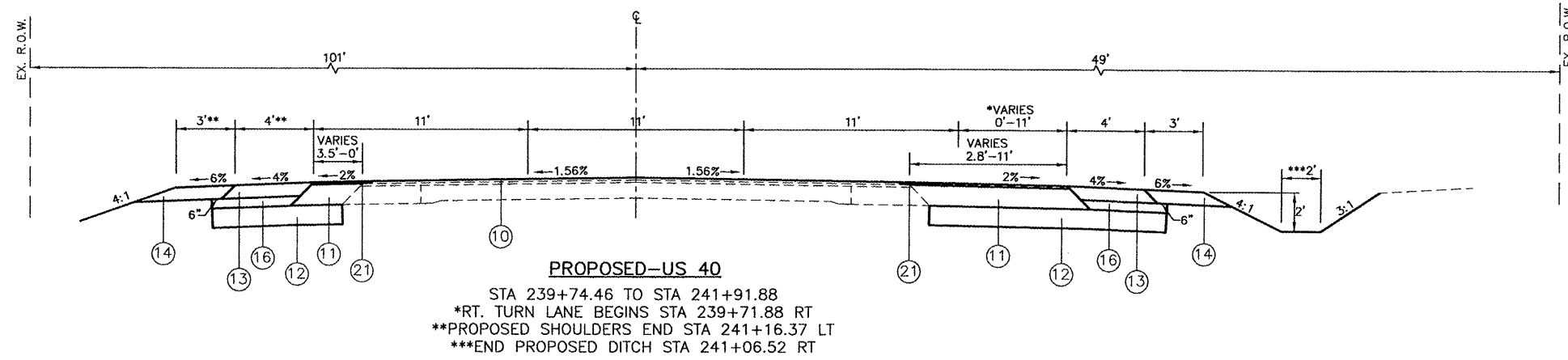
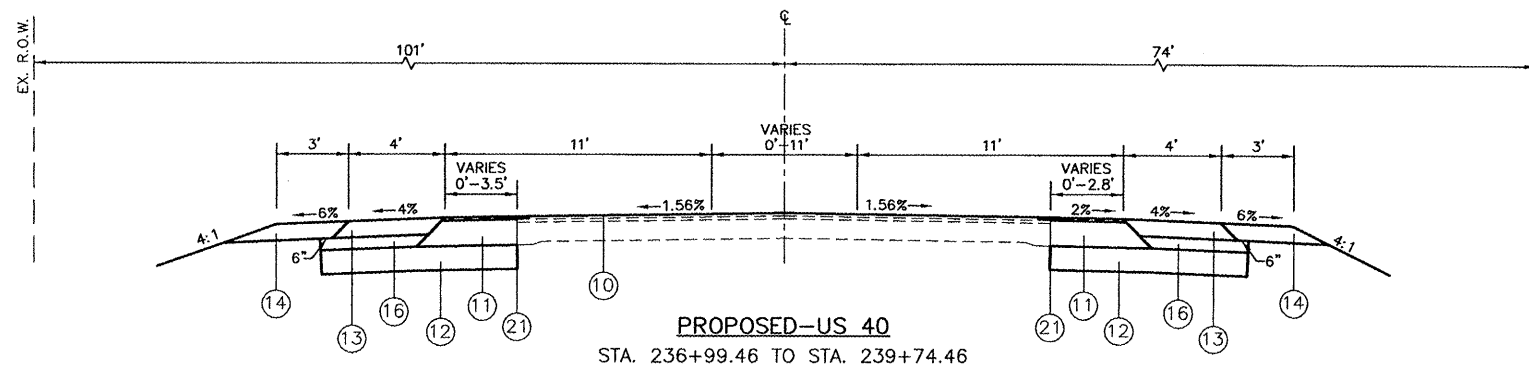


- LEGEND**
- ⑩ PROPOSED HOT-MIX ASPHALT SURFACE COURSE, MIX "D", N70, 1.5"
 - ⑪ PROPOSED HOT-MIX ASPHALT BINDER COURSE, IL-19.0, N70, 12.5"
 - ⑫ PROPOSED PROCESSING MODIFIED SOIL, 12"
 - ⑬ PROPOSED HOT-MIX ASPHALT SHOULDER, 8"
 - ⑭ PROPOSED AGGREGATE SHOULDER, TYPE A, 6"
 - ⑮ PROPOSED SUB-BASE GRANULAR MATERIAL, TYPE C 5"
 - ⑯ PROPOSED SUB-BASE GRANULAR MATERIAL, TYPE C 6"
 - ⑰ PROPOSED AGGREGATE WEDGE SHOULDER, TYPE B
 - ⑱ PROPOSED TYPE B-6.24 C&G
 - ⑲ PROPOSED TYPE A GUTTER
 - ⑳ PROPOSED TYPE B GUTTER
 - ㉑ PROPOSED STRIP REFLECTIVE CRACK CONTROL TREATMENT
 - ㉒ PROPOSED CONCRETE BARRIER WALL (SPECIAL)



REVISIONS	
NAME	DATE

PROPOSED CONDITIONS
TYPICAL SECTIONS

US 40 AND
TROY-O'FALLON ROAD IMPROVEMENTS
CITY OF TROY
MADISON COUNTY, ILLINOIS