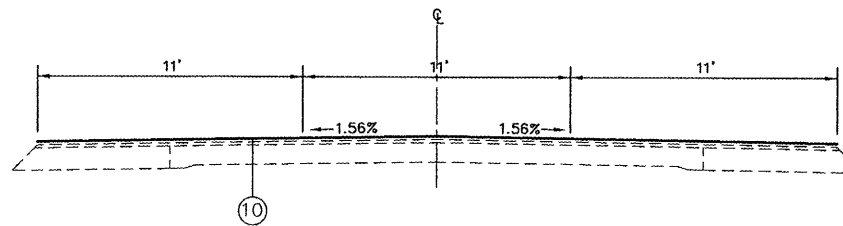


PAR NO.	SECTION	COUNTY	TOTAL SHEETS	SHEET NO.
793 9.992	05-00025-00-1L 07-00026-01-1R	MADISON	127	14
PROPOSED US 40				

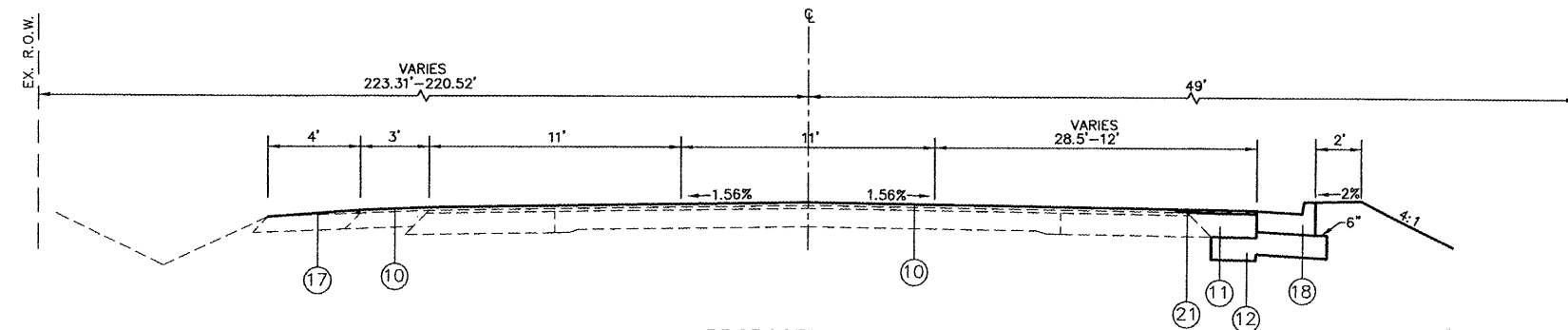
CONTRACT NO. 97352

LEGEND

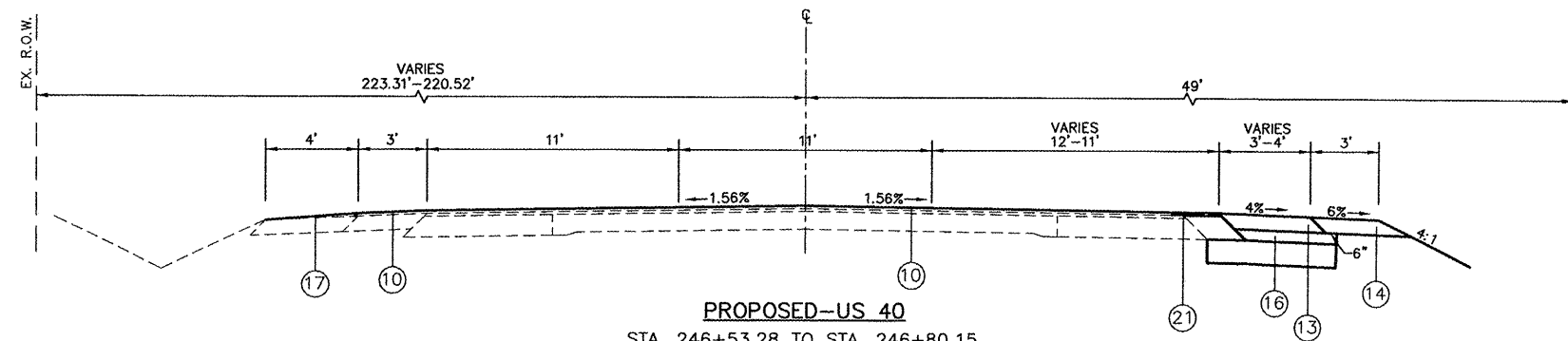
- ⑩ PROPOSED HOT-MIX ASPHALT SURFACE COURSE, MIX "D", N70, 1.5"
- ⑪ PROPOSED HOT-MIX ASPHALT BINDER COURSE, IL-19.0, N70, 12.5"
- ⑫ PROPOSED PROCESSING MODIFIED SOIL, 12"
- ⑬ PROPOSED HOT-MIX ASPHALT SHOULDER, 8"
- ⑭ PROPOSED AGGREGATE SHOULDER, TYPE A, 6"
- ⑮ PROPOSED SUB-BASE GRANULAR MATERIAL, TYPE C 5"
- ⑯ PROPOSED SUB-BASE GRANULAR MATERIAL, TYPE C 6"
- ⑰ PROPOSED AGGREGATE WEDGE SHOULDER, TYPE B
- ⑱ PROPOSED TYPE B-6.24 C&G
- ⑲ PROPOSED TYPE A GUTTER
- ⑳ PROPOSED TYPE B GUTTER
- ㉑ PROPOSED STRIP REFLECTIVE CRACK CONTROL TREATMENT
- ㉒ PROPOSED CONCRETE BARRIER WALL (SPECIAL)



PROPOSED-US 40
STA. 244+37.71 TO STA. 245+57.64
(SOUTH MAIN STREET/TROY-O'FALLON ROAD)



PROPOSED-US 40
STA. 245+57.64 TO STA. 246+53.28



PROPOSED-US 40
STA. 246+53.28 TO STA. 246+80.15

REVISIONS	
NAME	DATE

PROPOSED CONDITIONS
TYPICAL SECTIONS

US 40 AND
TROY-O'FALLON ROAD IMPROVEMENTS
CITY OF TROY
MADISON COUNTY, ILLINOIS

050162TYP501.dwg 6/16/2008 1:39pm