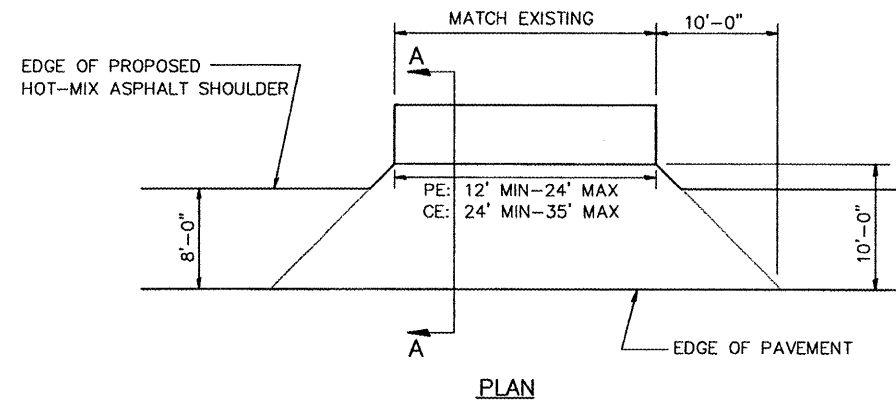
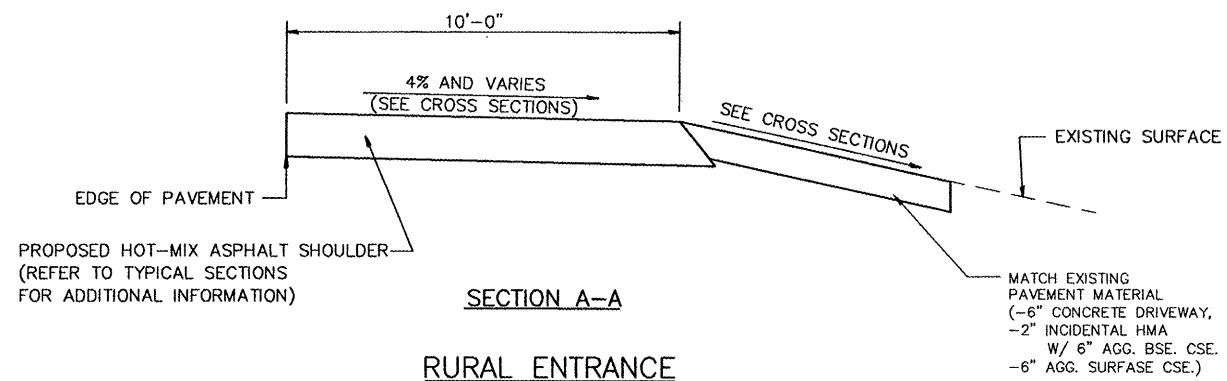


#	SECTION	COUNTY	TOTAL SHEETS	SHEET NO.
793	05-00025-00-TL	MADISON	127	77
9392	07-00025-01-WR			
STA.	TO STA.			

CONTRACT NO. 97352

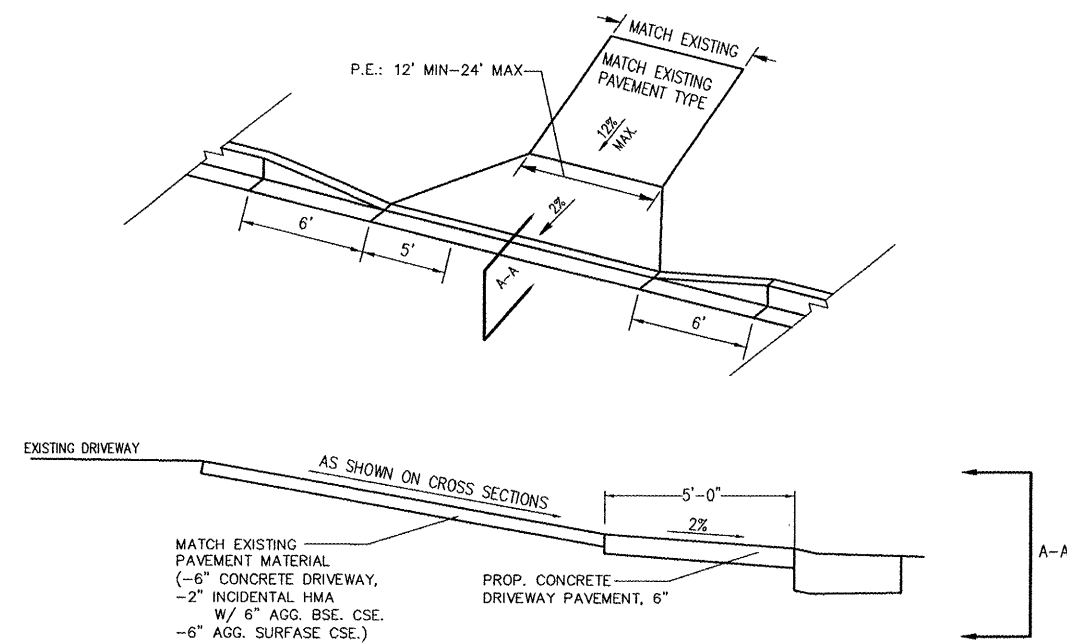


PLAN



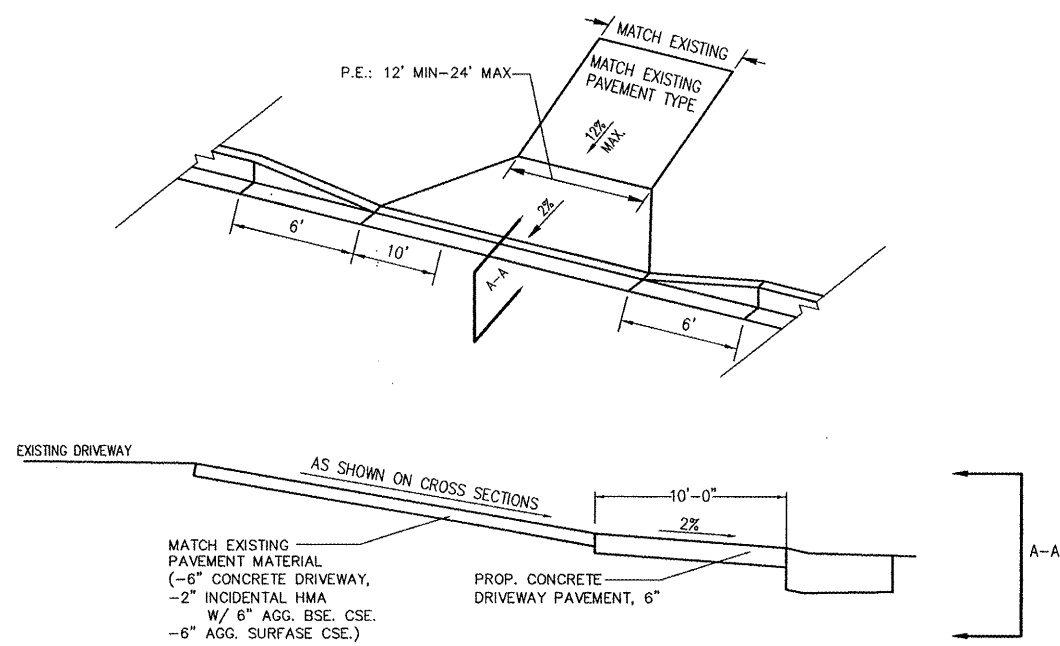
SECTION A-A

**RURAL ENTRANCE
ADJACENT TO HMA SHOULDER**



SECTION A-A

**PRIVATE ENTRANCE
ADJACENT TO CURBS
AND GUTTERS**



SECTION A-A

**COMMERCIAL ENTRANCE
ADJACENT TO B-6.24 C&G**

REVISIONS	
NAME	DATE

MISCELLANEOUS
DETAILS

US 40 AND
TROY-O'FALLON ROAD IMPROVEMENTS
CITY OF TROY
MADISON COUNTY, ILLINOIS

P:\050162D\dwg\050162DETL01.dwg 4/16/2008 9:02:13 AM CDT