

DESIGN SPECIFICATIONS

AASHTO LRFD BRIDGE DESIGN SPECIFICATIONS 4TH EDITION

DESIGN STRESSES

$f'_c = 3500$ psi
 $f_y = 60,000$ psi

LOADING

40 #/cu. ft. EQUIVALENT FLUID WEIGHT

GENERAL NOTES

REINFORCEMENT BARS SHALL CONFORM TO THE REQUIREMENTS OF ASTM A706 GR. 60.

REINFORCEMENT BARS DESIGNATED (E) SHALL BE EPOXY COATED.

TOP EDGES OF WALL SHALL BE CHAMFERED $\frac{3}{4}$ ".

CONCRETE SHALL BE CLASS S1.

PERFORATED PVC DRAIN PIPE SHALL CONFORM TO SECTION 1040 OF THE STANDARD SPECIFICATIONS.

FILTER FABRIC SHALL CONFORM TO SECTION 1080 OF THE STANDARD SPECIFICATIONS.

THE PERFORATED PVC PIPE SHALL DAYLIGHT ON BOTH ENDS OF THE WALL AND A SLOTTED CAP SHALL BE PLACED ON BOTH ENDS.

CONCRETE, CONCRETE REINFORCEMENT, PVC DRAIN PIPE, CA7, AND FILTER FABRIC SHALL BE INCIDENTAL TO CONCRETE BARRIER WALL, SPECIAL.

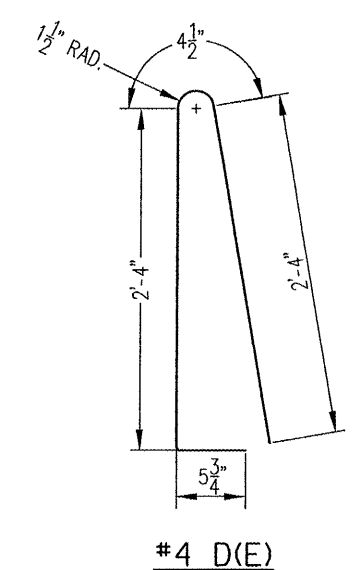
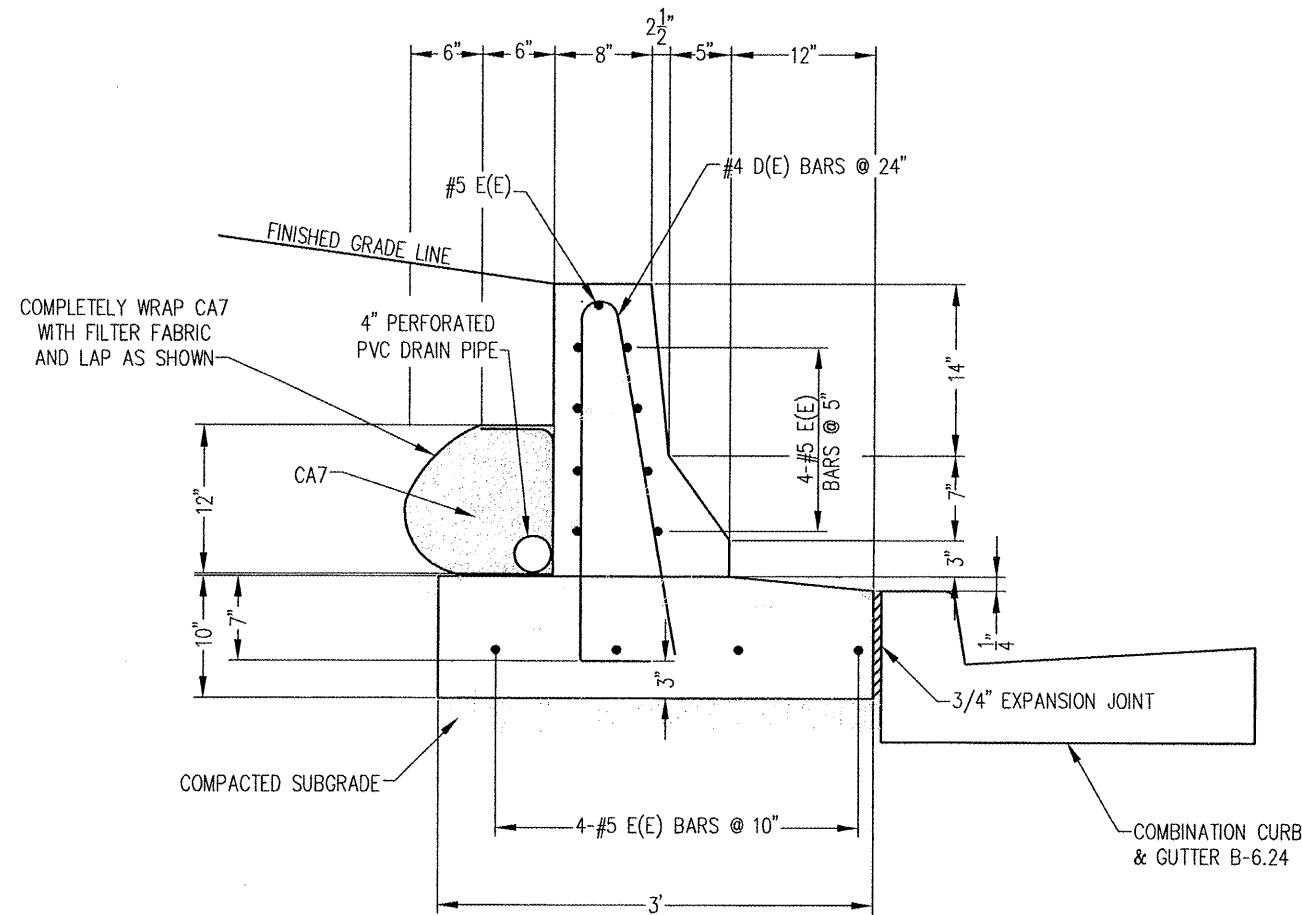
MINIMUM CLEARANCE TO REINFORCING STEEL SHALL BE $1\frac{1}{2}$ ", UNLESS OTHERWISE SHOWN.

MINIMUM BAR LAPS

#5 BARS 2'-2"

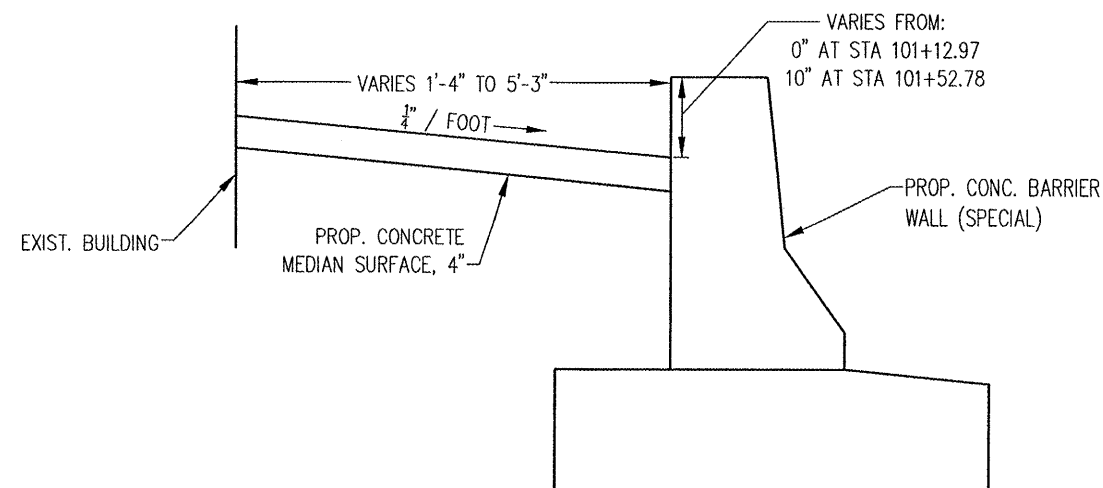
P&P NO.	SECTION	COUNTY	TOTAL SHEETS	SHEET NO.
793 9392	05-00025-00-TL 07-00025-01-WR	MADISON	127	83

CONTRACT NO. 97352



CONCRETE BARRIER WALL (SPECIAL)

TROY-O'FALLON ROAD
 STA 100+88.50 TO 101+59.91 RT



CONCRETE MEDIAN SURFACE, 4"

TROY-O'FALLON ROAD
 STA 101+12.97 TO 101+52.78 RT

REVISIONS	
NAME	DATE

MISCELLANEOUS
 DETAILS
 US 40 AND
 TROY-O'FALLON ROAD IMPROVEMENTS
 CITY OF TROY
 MADISON COUNTY, ILLINOIS

P:\050162D\dwg\050162DET1.01.dwg 4/16/2008 9:02:13 AM CDT