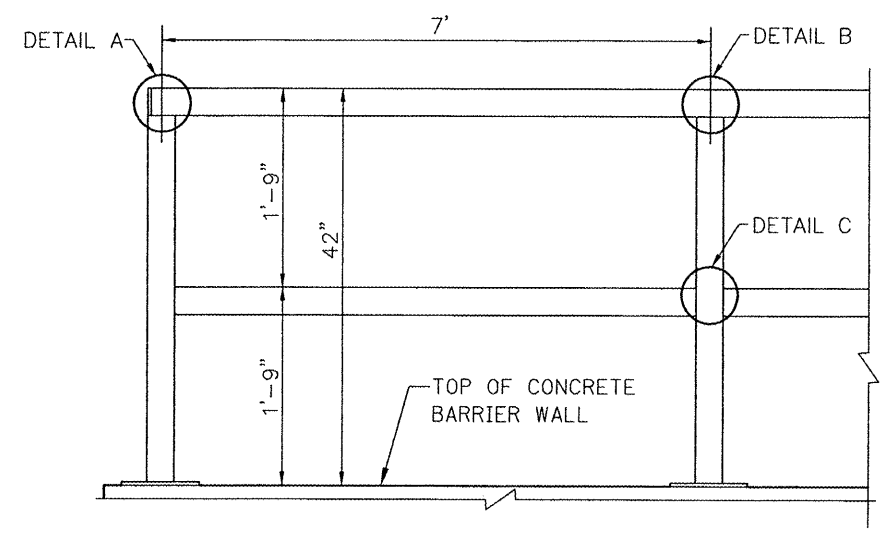
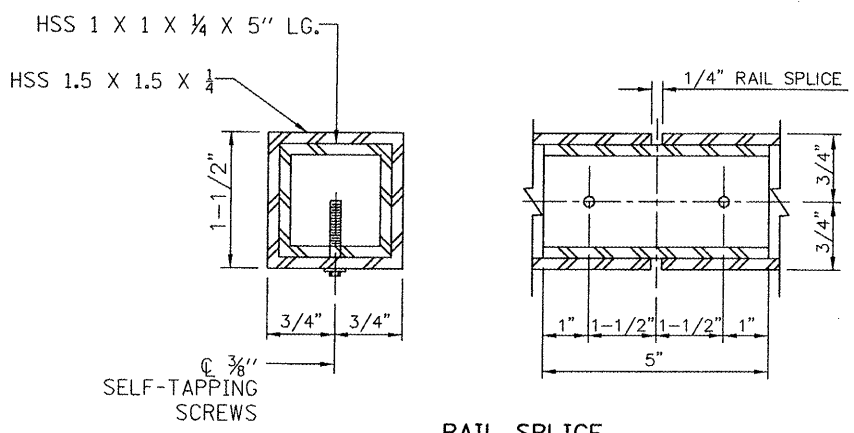
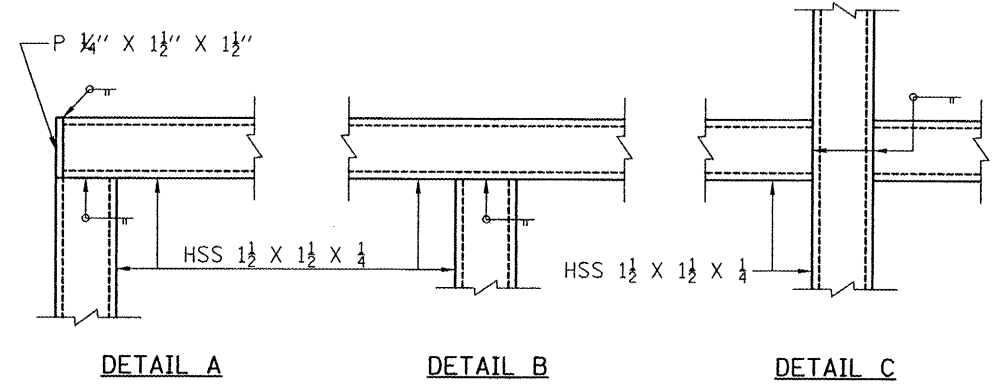


APP. NO.	SECTION	COUNTY	TOTAL SHEETS	SHEET NO.
79.3 93921	05-00025-00-TL 07-00025-01-MR	MADISON	127	84
STA.		TO STA.		

CONTRACT NO. 97352

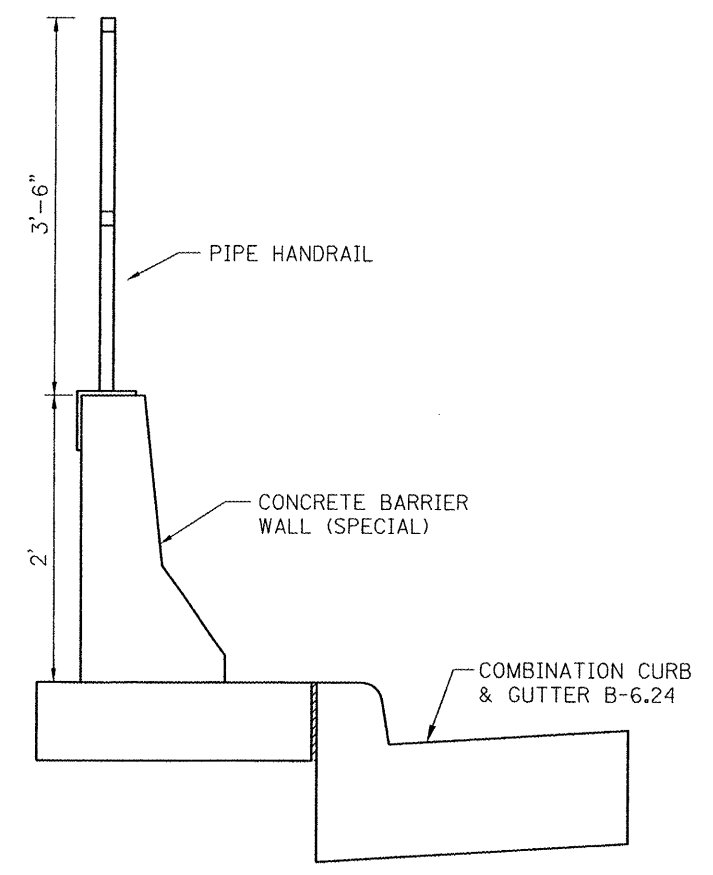


**PIPE RAILING
ELEVATION**

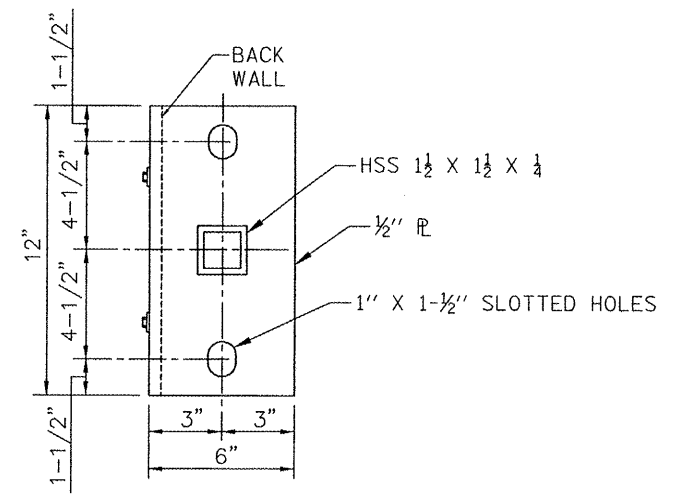


RAIL SPLICE

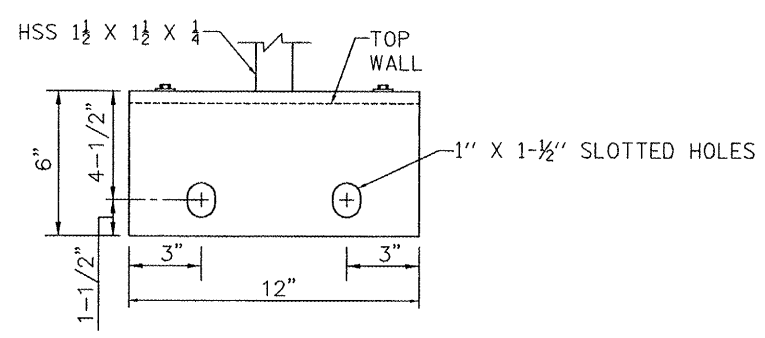
NOTES
ALL STEEL RAIL ELEMENTS SHALL BE GALVANIZED ACCORDING TO ARTICLE 509.05 OF THE STANDARD SPECIFICATIONS.



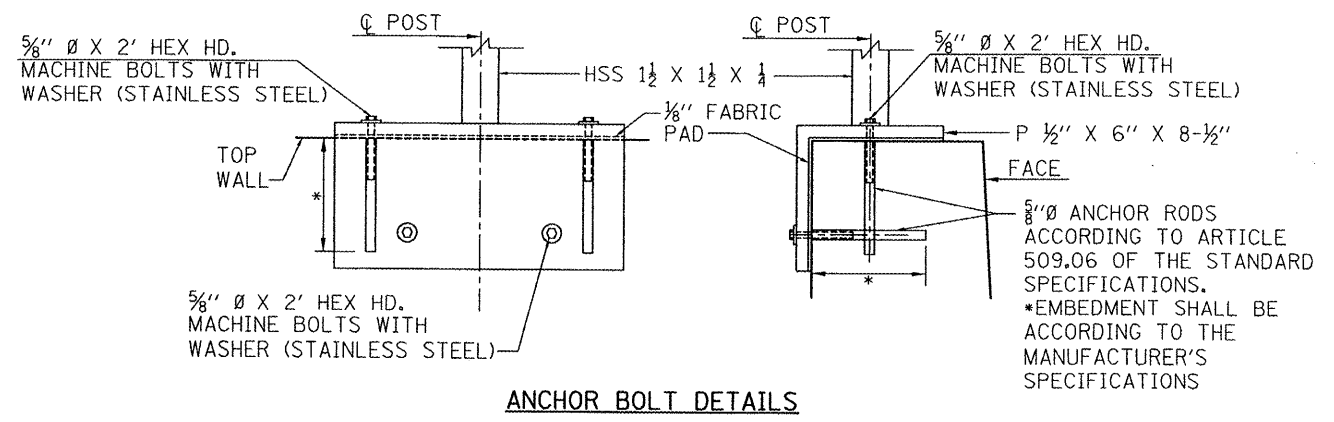
SECTION THRU WALL



**BASE P
TOP VIEW**



**BASE P
SIDE VIEW**



ANCHOR BOLT DETAILS

PIPE HANDRAIL DETAIL
TROY-O'FALLON ROAD
STA 100+88.50 TO 101+59.91 RT

REVISIONS	
NAME	DATE

**MISCELLANEOUS
DETAILS**
US 40 AND
TROY-O'FALLON ROAD IMPROVEMENTS
CITY OF TROY
MADISON COUNTY, ILLINOIS

P:\050162D\dwg\050162DET101.dwg 4/16/2008 9:02:13 AM CDT