

ROUTE NO	SECTION	COUNTY	SHEET NO.	TOTAL SHEETS
F.A.P. 793	05-00025-00-TL	MADISON	1	127
F.A.U. 9393	07-00025-01-WR			
FEDERAL AID PROJECT				
CONTRACT NO. 97352				

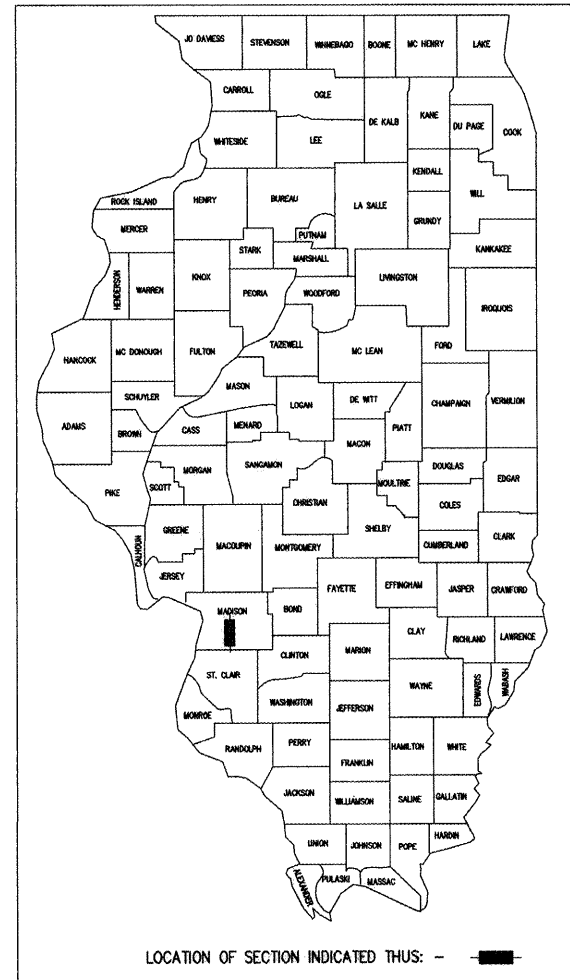
INDEX OF SHEETS

SHEET NO.	DESCRIPTION
1.	COVER SHEET
2.	GENERAL NOTES
3-4.	SUMMARY OF QUANTITIES
5-8.	SCHEDULE OF QUANTITIES
9-19.	TYPICAL SECTIONS
20-30.	PLAN AND PROFILE SHEETS
31-39.	TEMPORARY EROSION CONTROL PLAN
40-50.	DRAINAGE SHEETS
51-61.	RIGHT-OF-WAY PLAN
62-70.	PAVEMENT MARKING AND SIGNING PLAN
71-73.	TRAFFIC SIGNAL PLAN
74-76.	INTERSECTION DETAILS
77-85.	SPECIAL DETAILS
86-99.	CROSS SECTIONS (US 40)
100-127.	CROSS SECTIONS (TROY-O'FALLON ROAD)

STATE OF ILLINOIS DEPARTMENT OF TRANSPORTATION DIVISION OF HIGHWAYS

PLANS FOR PROPOSED FEDERAL AID HIGHWAY

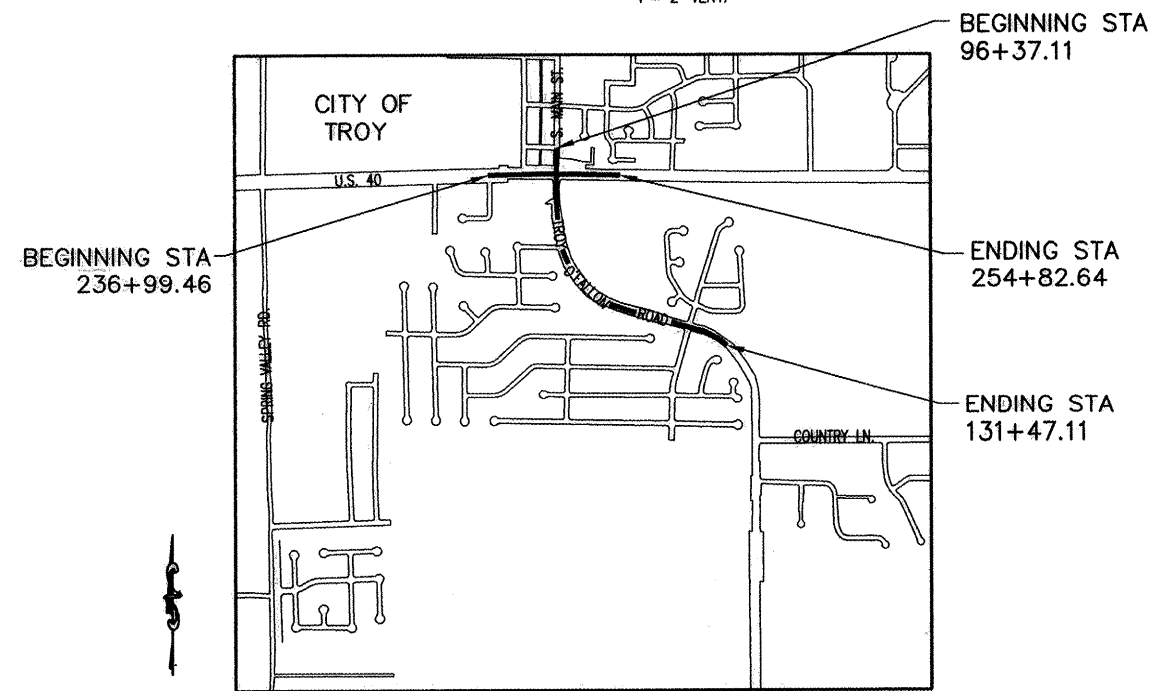
F.A.P. 793 (U.S. ROUTE 40)
F.A.U. 9393 (TROY-O'FALLON ROAD)
CITY OF TROY
MADISON COUNTY
SECTION 05-00025-00-TL
SECTION 07-00025-01-WR
PROJECT NO. CMM-5011(192)
JOB NO. C-98-302-06



STANDARDS

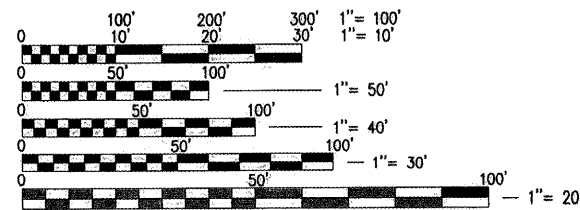
280001-04	604041-01	720001
420001-07	604086-01	720006-01
424001-05	604091-01	720016-01
442101-07	606001-03	780001-01
442201-03	606101-03	781001-02
482001-02	606201-01	805001
542101-01	701001-01	814001-01
542301-01	701006-02	814006-01
542401	701011-01	873001-01
602301-01	701201-02	877001-03
602306-01	701301-02	878001-06
602401-01	701306-01	880006
602601-01	701311-02	886001
602701-01	701326-02	886006
604006-03	701801-03	
604036-01	701901	

SCALES (PLAN
UNLESS OTHERWISE NOTED) PROFILE HORIZ. 1"=20'
PROFILE VERT. 1"=5'
CROSS SECTIONS 1"=5' HORIZ.
1"=2' VERT.



LOCATION MAP

GROSS LENGTH (US 40)= 1,783.18' (0.338 MILES)
GROSS LENGTH (SOUTH MAIN ST./TROY-O'FALLON RD.)= 3,510.00' (0.665 MILES)
TOTAL LENGTH= 5,293.18' (1.002 MILES)



FULL SIZE PLANS HAVE BEEN PREPARED USING STANDARD ENGINEERING SCALES, REDUCED SIZED PLANS WILL NOT CONFORM TO STANDARD SCALES, IN MAKING MEASUREMENTS ON REDUCED PLANS, THE ABOVE SCALES MAY BE USED.

F.A.P. ROUTE 793 DESIGN DESIGNATION	F.A.U. ROUTE 9393 DESIGN DESIGNATION
ROADWAY CLASSIFICATION = PRINCIPLE ARTERIAL	ROADWAY CLASSIFICATION = MINOR ARTERIAL
DESIGN SPEED = 45 M.P.H.	DESIGN SPEED = 45 M.P.H.
CURRENT TRAFFIC (ADT) = 12,000	CURRENT TRAFFIC (ADT) = 11,500
DESIGN TRAFFIC (ADT) = 14,000	DESIGN TRAFFIC (ADT) = 13,300

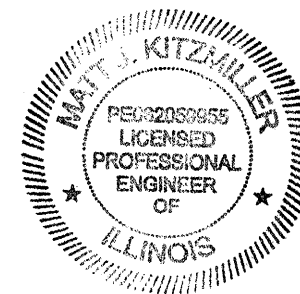
J.U.L.I.E.
JOINT UTILITY LOCATION INFORMATION FOR EXCAVATION
1-800-892-0123

APPROVED: *[Signature]* 6/20/08
MAYOR OF TROY

PASSED: *[Signature]* July 10 2008
DISTRICT 8 ENGINEER OF LOCAL ROADS

RELEASING FOR BID BASED ON LIMITED REVIEW: *[Signature]* July 10 2008
MARY C. LAMIE, P.E.
DEPUTY DIRECTOR OF HIGHWAYS
REGION FIVE ENGINEER

STATE OF ILLINOIS
DEPARTMENT OF TRANSPORTATION



[Signature] 6/20/08
MATT J. KITZMILLER, P.E. NO. 062-059955 DATE
EXPIRES NOVEMBER 30, 2009



THOUVENOT, WADE & MOERCHEN, INC.

GENERAL NOTES

ANY FACILITIES OR APPURTENANCES WHICH ARE THE PROPERTY OF ANY PUBLIC UTILITY LOCATED WITHIN THE LIMITS OF CONSTRUCTION SHALL BE RELOCATED OR ADJUSTED BY THEIR RESPECTIVE OWNERS. THE CONTRACTOR SHALL NOTIFY AND COOPERATE WITH THE OWNERS OF ANY SUCH FACILITY IN THEIR REMOVAL AND REARRANGE HIS OPERATIONS IN ORDER THAT THE UTILITY'S OPERATIONS AND THE CONSTRUCTION OF THIS PROJECT MAY PROGRESS IN A REASONABLE MANNER.

THE TYPE, SIZE, AND LOCATION OF UTILITIES AS DELINEATED IN THESE TOPOGRAPHIC LAND SURVEY DOCUMENTS AND/OR CIVIL ENGINEERING DESIGN DOCUMENTS HAVE BEEN DETERMINED BY REVIEW OF AVAILABLE EXISTING "AS-BUILT" OR RECORD DRAWINGS; FIELD SURVEY OF J.U.L.I.E. MARKED UTILITIES; OR FIELD SURVEY OF ABOVE GROUND SURFACE UTILITY FEATURES. THE OWNER AND ENGINEER HAVE NOT UNDERTAKEN SUBSURFACE EXPLORATORY INVESTIGATIONS TO CONFIRM OR VERIFY THE UTILITIES SHOWN ON THESE DOCUMENTS, THEREFORE THEIR EXACT LOCATION, SIZE AND FUNCTION MUST BE CONSIDERED APPROXIMATE AND MUST BE FIELD CONFIRMED BY THE CONTRACTOR.

THE ENGINEER AND OWNER FURTHER DO NOT WARRANT THAT ALL UTILITIES HAVE BEEN ILLUSTRATED ON THESE DOCUMENTS. THE CONTRACTOR IS SOLELY RESPONSIBLE FOR CONTACTING J.U.L.I.E. FOR FIELD VERIFICATION OF ALL UTILITIES ON THE SITE PRIOR TO COMMENCEMENT OF CONSTRUCTION. IF THE CONTRACTOR DETERMINES THAT SUBSTANTIAL DISCREPANCY EXISTS BETWEEN FIELD VERIFIED UTILITIES AND THESE PLANS WHICH WOULD SIGNIFICANTLY AFFECT THE FUNCTION, COST, OR PERFORMANCE OF THE PROJECT, THE CONTRACTOR SHALL IMMEDIATELY CONTACT THE ENGINEER FOR CLARIFICATION AND PROJECT DIRECTION.

THE CONTRACTOR SHALL CONFINE HIS OPERATIONS TO THE AREA LOCATED WITHIN THE CONSTRUCTION LIMIT LINES, AS SHOWN ON PLANS. ANY AREA DISTURBED BEYOND THESE LIMITS SHALL BE RESTORED TO ITS ORIGINAL CONDITION AT THE CONTRACTOR'S EXPENSE.

EVERY TREE SHALL BE SAVED IF POSSIBLE. THE ENGINEER IN THE FIELD WILL VERIFY AND MARK ALL TREES REQUIRED TO BE REMOVED. SHOULD THE ENGINEER'S DECISION INCREASE OR DECREASE THE QUANTITIES OF WORK TO BE PERFORMED FROM THE PLANS, THE CONTRACTOR SHALL ACCEPT PAYMENT AS STATED IN ARTICLE 104.03 OF THE STANDARD SPECIFICATIONS. TREES OUTSIDE THE LIMITS OF CONSTRUCTION SHALL NOT BE DISTURBED UNLESS DESIGNATED BY THE ENGINEER.

EROSION AND SEDIMENT CONTROL SHALL BE PERFORMED ACCORDING TO SECTION 280 OF THE STANDARD SPECIFICATIONS AND AS SHOWN ON THE EROSION CONTROL SHEETS. IT IS THE CONTRACTOR'S RESPONSIBILITY TO INSURE THAT ALL EROSION AND DISPLACED SEDIMENT DOES NOT MIGRATE OFF SITE. IF UNEXPECTED EROSION OR SEDIMENTATION OCCURS, OR IF THE EROSION PLAN STRUCTURES BECOME DAMAGED, THE CONTRACTOR SHALL PROVIDE SUFFICIENT MEASURES TO REPAIR, REPLACE, OR INSTALL EROSION CONTROL STRUCTURES TO INSURE OFF-SITE DAMAGE DOES NOT OCCUR. ANY SEDIMENT OR EROSION DAMAGE WHICH OCCURS OFF-SITE SHALL BE REPAIRED BY THE CONTRACTOR AT HIS EXPENSE.

THE RESIDENT ENGINEER WILL FIELD LOCATE ALL SILT FENCE, DITCH CHECKS, AND EROSION CONTROL BLANKET.

ALL EARTH SURFACES DISTURBED BY CONSTRUCTION OR AS DIRECTED BY THE ENGINEER SHALL BE SEEDED.

2.5 ACRE SEEDING CL 2A
 2.5 ACRE MULCH METHOD 2
 225 POUNDS NITROGEN FERTILIZER NUTRIENT
 225 POUNDS PHOSPHORUS FERTILIZER NUTRIENT
 225 POUNDS POTASSIUM FERTILIZER NUTRIENT

SEEDING DATES: FALL: AUG. 1 - NOV. 15
 SPRING: MAR. 1 - JUNE 1
 NO SEEDING SHALL BE DONE BETWEEN
 JUNE 2 - JULY 31

THE CONTRACTOR MAY SUBSTITUTE A 12" THICK LAYER OF CA-6 AGGREGATE IN LIEU OF THE 12" THICK LIME MODIFIED SOIL IF THE CONTRACTOR CHOOSES. THE AGGREGATE BASE MUST BE PREPARED ACCORDING TO SECTION 406 OF THE LATEST EDITION OF THE IDOT STANDARD SPECIFICATIONS FOR ROAD AND BRIDGE CONSTRUCTION AND NO ADDITIONAL COMPENSATION WILL BE ALLOWED.

IT IS INTENDED THAT ANY CULVERTS DAMAGED BY OR REMOVED BY THE CONTRACTOR OTHER THAN THOSE NOTED ON THE PLANS TO BE REMOVED WILL HAVE TO BE REMOVED AND/OR REPLACED AT THE CONTRACTOR'S SOLE EXPENSE.

ALL MATERIALS SUCH AS FRAMES AND GRATES AND STORM SEWER PIPE SCHEDULED FOR REMOVAL, THAT ARE CONSIDERED TO BE SUITABLE FOR FUTURE USE, SHALL BE SALVAGED AND STOCKPILED AS DIRECTED BY THE ENGINEER. ALL OTHER MATERIALS SCHEDULED FOR REMOVAL BUT NOT SALVAGED, SHALL BE DISPOSED OF BY THE CONTRACTOR AT HIS EXPENSE.

THE TOP OF GRATE ELEVATIONS SHOWN ON THE PLANS REFER TO THE ELEVATION OF THE FRAME AND GRATE FLOWLINE. ALL DITCHES SHALL BE RE-GRADED/SHAPED TO ENSURE ALL STORM WATER RUNOFF ENTERS THE INTENDED DITCH INLET (TYPE B GRATE).

ALL TRAFFIC CONTROL INCLUDING BUT NOT LIMITED TO, WORK ZONE, TEMPORARY, AND PERMANENT, SHALL BE FURNISHED, INSTALLED, MAINTAINED, RELOCATED, AND/OR REMOVED ACCORDING TO SECTION 700 OF THE LATEST EDITION OF THE IDOT STANDARD SPECIFICATIONS FOR ROAD AND BRIDGE CONSTRUCTION AND THE LATEST EDITION OF THE MANUAL ON UNIFORM TRAFFIC CONTROL DEVICES.

ALL EXCAVATION ADJACENT TO THE EDGE OF PAVEMENT SHALL BE PROTECTED WITH EXTENDED LEG BARRICADES WITH APPROPRIATE LIGHTING.

TRAFFIC CONTROL SIGNS SHALL BE 48" FLUORESCENT ORANGE.

THE CONTRACTOR IS RESPONSIBLE FOR CONTACTING THE CITY OF TROY AT LEAST FORTY-EIGHT (48) HOURS IN ADVANCE PRIOR TO COMMENCEMENT OF ANY CONSTRUCTION ACTIVITIES OR WORK REQUIRING INSPECTION OR APPROVAL BY THE AFFECTED UNITS OF GOVERNMENT.

MAP ROUTE	SECTION	COUNTY	TOTAL SHEETS	SHEET NO.
793 8393	05-00025-00-TL 07-00025-01-WE	MADISON	127	2
STA.		TO STA.		

CONTRACT NO. 97352

LIST OF UTILITIES

GAS/ELECTRIC
 AMERENIP
 2600 N. CENTER ST.
 MARYVILLE, IL 62062
 (618)-346-1236

TELEPHONE
 AT&T
 203 GOETHE
 COLLINSVILLE, IL 62234
 (800)-244-4444

CABLE
 CHARTER COMMUNICATIONS
 508 NIAGARA STREET
 EAST ALTON, IL 62024
 (618)-779-4179

WATER
 CITY OF TROY
 116 EAST MARKET STREET
 TROY, IL 62294
 (618)-667-9924

HOT-MIX ASPHALT MIXTURE REQUIREMENTS

MIXTURE USE	INCIDENTAL SURFACE	SURFACE	BINDER	SHOULDER
AC/PG	PG 64-22	PG 64-22	PG 64-22	PG 64-22
RAP% (MAX)	10%	10%	15%	30%
DESIGN AIR VOIDS	4.0% ● Ndes=70	4.0% ● Ndes=70	4.0% ● Ndes=70	4.0% ● Ndes=30
MIX COMPOSITION (GRADATION MIXTURE)	IL 9.5			
FRICTION AGG	MIXTURE D	MIXTURE B	MIXTURE D	BAM

-PLAN QUANTITIES FOR HOT-MIX ASPHALT SURFACE COURSE ITEMS ARE CALCULATED USING A UNIT WEIGHT OF 115 LB/SY/IN
 -PLAN QUANTITIES FOR HOT-MIX ASPHALT BINDER COURSE ITEMS ARE CALCULATED USING A UNIT WEIGHT OF 112 LB/SY/IN

REVISIONS	
NAME	DATE

GENERAL NOTES

US 40 AND
 TROY-O'FALLON ROAD IMPROVEMENTS
 CITY OF TROY
 MADISON COUNTY, ILLINOIS

P:\050162D\dwg\050162SUMM01.dwg 4/17/2008 2:02:21 PM CDT

SUMMARY OF QUANTITIES

FIP ROUTE	SECTION	COUNTY	TOTAL SHEETS	SHEET NO
793 9393	05-0025-00-1L 07-0029-01-WP	MADISON	127	3
STA.		TO STA.		

CONTRACT NO. 97352

SUMMARY OF QUANTITIES			
CODE NO	ITEM	UNIT	QTY
20100110	TREE REMOVAL (6 TO 15 UNITS DIAMETER)	UNIT	16
20100210	TREE REMOVAL (OVER 15 UNITS DIAMETER)	UNIT	24
20200100	EARTH EXCAVATION	CU YD	2,439
20400800	FURNISHED EXCAVATION	CU YD	4,660
20800150	TRENCH BACKFILL	CU YD	138
25000210	SEEDING, CLASS 2A	ACRE	2.5
25000400	NITROGEN FERTILIZER NUTRIENT	POUND	225
25000500	PHOSPHORUS FERTILIZER NUTRIENT	POUND	225
25000600	POTASSIUM FERTILIZER NUTRIENT	POUND	225
25100115	MULCH, METHOD 2	ACRE	2.5
25100630	EROSION CONTROL BLANKET	SQ YD	1,037
28000255	TEMPORARY EROSION CONTROL SEEDING	ACRE	2.5
28000300	TEMPORARY DITCH CHECK	EACH	1
28000400	PERIMETER EROSION BARRIER	FOOT	1,918
28000500	INLET AND PIPE PROTECTION	EACH	33
28100107	STONE RIPRAP, CLASS A4	SQ YD	20
28200200	FILTER FABRIC	SQ YD	20
30200650	PROCESSING MODIFIED SOILS 12"	SQ YD	12,791
30201500	LIME	TON	247
31102200	SUB-BASE GRANULAR MATERIAL, TYPE C 5"	SQ YD	4,512
31102300	SUB-BASE GRANULAR MATERIAL, TYPE C 6"	SQ YD	1,307
35101800	AGGREGATE BASE COURSE, TYPE B 6"	SQ YD	391
35102400	AGGREGATE BASE COURSE, TYPE B 12"	SQ YD	104
35400200	PORTLAND CEMENT CONCRETE BASE COURSE WIDENING 7"	SQ YD	95
40200500	AGGREGATE SURFACE COURSE, TYPE A 6"	SQ YD	232
40201000	AGGREGATE FOR TEMPORARY ACCESS	TON	100
40600100	BITUMINOUS MATERIALS (PRIME COAT)	GALLON	1,757
40600300	AGGREGATE (PRIME COAT)	TON	32
40600895	CONSTRUCTING TEST STRIP	EACH	1
40600982	HOT-MIX ASPHALT SURFACE REMOVAL - BUTT JOINT	SQ YD	745
40600985	PORTLAND CEMENT CONCRETE SURFACE REMOVAL - BUTT JOINT	SQ YD	320
40603085	HOT-MIX ASPHALT BINDER COURSE, IL-19.0, N70	TON	3,790
40603340	HOT-MIX ASPHALT SURFACE COURSE, MIX "D", N70	TON	1,852
40800050	INCIDENTAL HOT-MIX ASPHALT SURFACING	TON	45
42300200	PORTLAND CEMENT CONCRETE DRIVEWAY PAVEMENT, 6 INCH	SQ YD	430
42400100	PORTLAND CEMENT CONCRETE SIDEWALK 4 INCH	SQ FT	1,081
42400800	DETECTABLE WARNINGS	SQ FT	48
44000100	PAVEMENT REMOVAL	SQ YD	82
44000200	DRIVEWAY PAVEMENT REMOVAL	SQ YD	759
44000400	GUTTER REMOVAL	FOOT	1,007
44000500	COMBINATION CURB AND GUTTER REMOVAL	FOOT	619
44000600	SIDEWALK REMOVAL	SQ FT	638
44004250	PAVED SHOULDER REMOVAL	SQ YD	5,932
44200924	CLASS B PATCHES, TYPE III, 7"	SQ YD	19
44200926	CLASS B PATCHES, TYPE IV, 7"	SQ YD	29
44201789	CLASS D PATCHES, TYPE II, 12"	SQ YD	14

SUMMARY OF QUANTITIES			
CODE NO	ITEM	UNIT	QTY
44213200	SAW CUTS	FOOT	145
44300200	STRIP REFLECTIVE CRACK CONTROL TREATMENT	FOOT	8,601
48100500	AGGREGATE SHOULDERS, TYPE A, 6"	SQ YD	621
48102100	AGGREGATE WEDGE SHOULDERS, TYPE B	TON	292
48203029	HOT-MIX ASPHALT SHOULDERS, 8"	SQ YD	5,243
50104400	CONCRETE HEADWALL REMOVAL	EACH	8
50105220	PIPE CULVERT REMOVAL	FOOT	646
50901760	PIPE HANDRAIL	FOOT	73
54200640	PIPE CULVERTS, TYPE 1, CORRUGATED STEEL OR ALUMINUM CULVERT PIPE 15"	FOOT	135
54201279	PIPE CULVERTS, TYPE 2, RCCP 24"	FOOT	27
54201291	PIPE CULVERTS, TYPE 2, RCCP 36"	FOOT	103
54201297	PIPE CULVERTS, TYPE 2, RCCP 42"	FOOT	11
54213660	PRECAST REINFORCED CONCRETE FLARED END SECTIONS 15"	EACH	3
54213663	PRECAST REINFORCED CONCRETE FLARED END SECTIONS 18"	EACH	1
54213669	PRECAST REINFORCED CONCRETE FLARED END SECTIONS 24"	EACH	1
54213681	PRECAST REINFORCED CONCRETE FLARED END SECTIONS 36"	EACH	1
54213870	STEEL END SECTIONS 15"	EACH	8
54215436	CAST-IN-PLACE REINFORCED CONCRETE END SECTIONS 36"	EACH	2
54215442	CAST-IN-PLACE REINFORCED CONCRETE END SECTIONS 42"	EACH	1
54223447	REMOVE AND RELAY PIPE CULVERTS 12"	FOOT	31
54248510	CONCRETE COLLAR	CU YD	2
550A0050	STORM SEWERS, CLASS A, TYPE 1 12"	FOOT	280
550A0070	STORM SEWERS, CLASS A, TYPE 1 15"	FOOT	641
550A0090	STORM SEWERS, CLASS A, TYPE 1 18"	FOOT	151
550A0360	STORM SEWERS, CLASS A, TYPE 2 15"	FOOT	75
550A0380	STORM SEWERS, CLASS A, TYPE 2 18"	FOOT	49
55100500	STORM SEWER REMOVAL, 12"	FOOT	24
60219530	MANHOLES, TYPE A, 4'-DIAMETER, TYPE 23 FRAME AND GRATE	EACH	1
60223800	MANHOLES, TYPE A, 6'-DIAMETER, TYPE 1, FRAME, CLOSED LID	EACH	1
60236700	INLETS, TYPE A, TYPE 10 FRAME AND GRATE	EACH	1
60240215	INLETS, TYPE B, TYPE 1 FRAME, CLOSED LID	EACH	1
60240301	INLETS, TYPE B, TYPE 8 GRATE	EACH	3
60240327	INLETS, TYPE B, TYPE 23 FRAME AND GRATE	EACH	1
60240328	INLETS, TYPE B, TYPE 24 FRAME AND GRATE	EACH	4
60242500	INLETS, SPECIAL, NO. 1	EACH	5
60242600	INLETS, SPECIAL, NO. 2	EACH	1
60242700	INLETS, SPECIAL, NO. 3	EACH	2
60255500	MANHOLES TO BE ADJUSTED	EACH	4
60600095	CLASS SI CONCRETE (OUTLET)	CU YD	20
60602500	CONCRETE GUTTER, TYPE A	FOOT	80
60602800	CONCRETE GUTTER, TYPE B	FOOT	226
60604400	COMBINATION CONCRETE CURB AND GUTTER, TYPE B-6.18	FOOT	351
60605000	COMBINATION CONCRETE CURB AND GUTTER, TYPE B-6.24	FOOT	1,511
60618300	CONCRETE MEDIAN SURFACE, 4 INCH	SQ FT	172
67100100	MOBILIZATION	L SUM	1

* SPECIALTY ITEMS

REVISIONS	
NAME	DATE

SUMMARY OF QUANTITIES

US 40 AND
TROY-O'FALLON ROAD IMPROVEMENTS
CITY OF TROY
MADISON COUNTY, ILLINOIS

SUMMARY OF QUANTITIES

SHEET NO.	SECTION	COUNTY	TOTAL SHEETS	SHEET NO.
783	05-00025-00-TL	MADISON	127	4
9383	07-00025-01-WR			
STA.	TO STA.			

CONTRACT NO. 97352

SUMMARY OF QUANTITIES			
CODE NO	ITEM	UNIT	QTY
70100450	TRAFFIC CONTROL AND PROTECTION, STANDARD 701201	L SUM	1
70100460	TRAFFIC CONTROL AND PROTECTION, STANDARD 701306	L SUM	1
70100500	TRAFFIC CONTROL AND PROTECTION, STANDARD 701326	L SUM	1
70101700	TRAFFIC CONTROL AND PROTECTION	L SUM	1
70102640	TRAFFIC CONTROL AND PROTECTION, STANDARD 701801	L SUM	1
70103815	TRAFFIC CONTROL SURVEILLANCE	CA DA	40
70300100	SHORT TERM PAVEMENT MARKING	FOOT	756
70301000	WORK ZONE PAVEMENT MARKING REMOVAL	SQ FT	250
72000100	SIGN PANEL - TYPE 1	SQ FT	42
73000100	WOOD SIGN SUPPORT	FOOT	86
* 78000100	THERMOPLASTIC PAVEMENT MARKING - LETTERS AND SYMBOLS	SQ FT	631
* 78000200	THERMOPLASTIC PAVEMENT MARKING - LINE 4"	FOOT	25,588
* 78000400	THERMOPLASTIC PAVEMENT MARKING - LINE 6"	FOOT	362
* 78000500	THERMOPLASTIC PAVEMENT MARKING - LINE 8"	FOOT	222
* 78000600	THERMOPLASTIC PAVEMENT MARKING - LINE 12"	FOOT	518
* 78000650	THERMOPLASTIC PAVEMENT MARKING - LINE 24"	FOOT	155
* 78100100	RAISED REFLECTIVE PAVEMENT MARKER	EACH	252
* 78300100	PAVEMENT MARKING REMOVAL	SQ FT	379
* 78300200	RAISED REFLECTIVE PAVEMENT MARKER REMOVAL	EACH	171
* 81012300	CONDUIT IN TRENCH, 1" DIA., PVC	FOOT	90
* 81012500	CONDUIT IN TRENCH, 1 1/2" DIA., PVC	FOOT	405
* 81012600	CONDUIT IN TRENCH, 2" DIA., PVC	FOOT	56
* 81012700	CONDUIT IN TRENCH, 2 1/2" DIA., PVC	FOOT	21
* 81012800	CONDUIT IN TRENCH, 3" DIA., PVC	FOOT	10
* 81021340	CONDUIT PUSHED, 2 1/2", DIA., PVC	FOOT	104
* 81030100	CONDUIT SPLICE	EACH	2
* 81400700	HANDHOLE, PORTLAND CEMENT CONCRETE	EACH	5
* 81900200	TRENCH AND BACKFILL FOR ELECTRICAL WORK	FOOT	572
* 81900300	TRENCH AND BACKFILL WITH SCREENINGS AND/OR SAND	FOOT	10
* 85000200	MAINTENANCE OF EXISTING TRAFFIC SIGNAL INSTALLATION	EACH	1
* 87301245	ELECTRIC CABLE IN CONDUIT, SIGNAL NO. 14 5C	FOOT	1,184
* 87301255	ELECTRIC CABLE IN CONDUIT, SIGNAL NO. 14 7C	FOOT	661
* 87301305	ELECTRIC CABLE IN CONDUIT, LEAD-IN, NO. 14 1 PAIR	FOOT	3,158
* 87800415	CONCRETE FOUNDATION, TYPE E 36-INCH DIAMETER	FOOT	15
* 87900200	DRILL EXISTING HANDHOLE	EACH	3
* 88040160	SIGNAL HEAD, POLYCARBONATE, LED, 1-FACE, 5-SECTION, MAST ARM MOUNTED	EACH	2
* 88200300	TRAFFIC SIGNAL BACKPLATE, PLASTIC	EACH	2
* 88500520	INDUCTION LOOP DETECTOR AMPLIFIER WITH CALL DELAY AND CALL CARRY-OVER, DIGITAL DESIGN	EACH	7
* 88600100	DETECTOR LOOP, TYPE 1	FOOT	1,601
* 89500100	RELOCATE EXISTING SIGNAL HEAD	EACH	2
* 89501300	RELOCATE EXISTING MAST ARM ASSEMBLY AND POLE	EACH	1
* 89502200	MODIFY EXISTING CONTROLLER	EACH	1
* 89502300	REMOVE ELECTRIC CABLE FROM CONDUIT	FOOT	3,184
* 89502375	REMOVE EXISTING TRAFFIC SIGNAL EQUIPMENT	EACH	1

SUMMARY OF QUANTITIES			
CODE NO	ITEM	UNIT	QTY
△ * 89502380	REMOVE EXISTING HANDHOLE	EACH	4
△ * 89502385	REMOVE EXISTING CONCRETE FOUNDATION	EACH	1
△ * 89502800	DISPOSITION OF SALVAGED TRAFFIC SIGNAL EQUIPMENT	L SUM	1
XX002053	LANDSCAPE RESTORATION	L SUM	1
XX002866	CONCRETE BARRIER WALL (SPECIAL)	CU YD	10
XX003503	FLARED END SECTION REMOVAL	EACH	7
XX007590	STORM SEWERS, PVC SDR 26, 15"	FOOT	92
Z0017100	DOWEL BARS	EACH	72
Z0041500	PLUG EXISTING CULVERTS	EACH	4
Z0075300	TIE BARS	EACH	72
XX007591	CAST-IN-PLACE REINFORCED CONCRETE END SECTIONS 36", SPECIAL	EACH	1
XX007592	CAST-IN-PLACE REINFORCED CONCRETE END SECTIONS 42", SPECIAL	EACH	1

△ Y031-1F
* SPECIALTY ITEMS

REVISIONS	
NAME	DATE

SUMMARY OF QUANTITIES

US 40 AND
TROY-O'FALLON ROAD IMPROVEMENTS
CITY OF TROY
MADISON COUNTY, ILLINOIS

P:\050162D\050162SUMM01.dwg 4/17/2008 2:02:21 PM CDT

APP. NO.	SECTION	COUNTY	TOTAL SHEETS	SHEET NO.
793 9392	05-00025-00-TL 07-00025-01-MR	MADISON	127	5
STA. TO STA.				

CONTRACT NO. 97352

DRAINAGE STRUCTURES SCHEDULE

STRUCTURE NUMBER	STATION	OFFSET (FEET)	INLET TYPE A TYPE 10 FRAME & GRATE	INLET TYPE B TYPE 1 F&CL	INLET TYPE B TYPE 8 GRATE	INLET TYPE B TYPE-23 FRAME & GRATE	INLET TYPE B TYPE-24 FRAME & GRATE	TYPE A MANHOLE 4'Ø TYPE 23 F&G	TYPE A MANHOLE 6'Ø TYPE 1 F&CL	INLET SPECIAL #1 3'X3' OPEN THROAT	INLET SPECIAL #2 4'X4' AREA INLET	INLET SPECIAL #3 4'X10' INLET	REIN. CONC. F.E.S. 15"	REIN. CONC. F.E.S. 18"	REIN. CONC. F.E.S. 24"	REIN. CONC. F.E.S. 36"	CAST-IN-PLACE REIN. CONC. END SECTION 36", SPECIAL	CAST-IN-PLACE REIN. CONC. END SECTION 2-36"	CAST-IN-PLACE REIN. CONC. END SECTION 42"	CAST-IN-PLACE REIN. CONC. END SECTION 42", SPECIAL
US 40																				
1	241+06.51	38.53' RT											1							
2	242+53.38	39.40' RT			1															
3	242+53.38	32.50' RT					1													
4	244+44.10	33.57' RT					1													
TROY-O'FALLON ROAD																				
5	102+51.29	25.00' LT					1													
6	102+74.70	25.00' RT					1													
7	103+41.48	47.38' RT																1		
8	103+43.20	25.42' RT										1								
9	103+46.78	23.08' LT									1									
10	103+49.41	48.06' LT									1									
11	104+66.06	21.33' LT	1															1		
12	107+59.32	35.52' RT				1								1						
13	107+83.29	33.53' RT						1												
14	108+36.86	36.63' RT								1										
15	108+44.10	33.57' RT									1					1				
16	108+84.68	52.23' RT										1								
17	108+93.30	68.87' LT														1				
18	111+64.86	68.55' RT																1		
19	111+68.97	51.50' LT																	1	
20	111+69.45	56.63' RT							1											1
21	119+48.92	42.00' RT																		
22	119+49.36	58.79' LT																		
23	125+09.25	38.80' RT											1							
24	125+15.05	32.13' LT											1							
25	125+28.56	41.23' RT								1										
26	125+39.12	49.59' LT								1										
27	125+39.12	49.59' LT								1										
28	125+76.95	50.80' LT																		
29	125+87.81	39.43' RT																		
30	126+03.09	36.66' LT			1															
31	128+24.70	37.67' LT																		
32	129+55.22	34.08' LT																		
TOTAL			1	1	3	1	4	1	1	5	1	2	3	1	1	1	1	2	1	1

STORM SEWER SCHEDULE

FROM STATION	OFFSET (FEET)	TO STATION	OFFSET (FEET)	STORM SEWERS						TRENCH BACKFILL (CU YD)
				12" CL A, TY 1	15" CL A, TY 1	15" CL A, TY 2	15" SDR 26 WQP	18" CL A, TY 1	18" CL A, TY 2	
US 40										
241+06.51	38.53' RT	242+53.38	39.40' RT		140					
242+53.38	39.40' RT	242+53.38	32.50' RT		4					
242+53.38	32.50' RT	244+44.10	33.57' RT		188					21.79
244+44.10	33.57' RT	244+67.71	33.58' RT		21					1.25
TROY-O'FALLON ROAD										
102+51.29	25.00' LT	103+46.78	23.08' LT	91						18.34
102+74.70	25.00' RT	103+43.20	25.42' RT	63						13.03
103+46.78	23.08' LT	104+66.06	21.33' LT	113						22.77
107+59.32	35.52' RT	107+83.29	33.53' RT					18		5.79
108+36.86	36.63' RT	108+36.86	36.63' RT	13						2.20
108+44.10	33.57' RT	108+84.68	52.23' RT						49	12.72
125+09.25	38.80' RT	125+28.56	41.23' RT		13					0.83
125+15.05	32.13' LT	125+39.12	49.59' LT		22					2.42
125+28.56	41.23' RT	125+87.81	39.43' RT							7.42
125+39.12	49.59' LT	125+76.95	50.80' LT					57		7.98
125+76.95	50.80' LT	126+03.09	36.66' LT					35		2.53
125+87.81	39.43' RT	126+03.09	36.66' LT						75	18.18
126+03.09	36.66' LT	128+24.70	37.67' LT							
128+24.70	37.67' LT	129+55.22	34.08' LT							
TOTAL				280	641	75	92	151	49	137.25

PIPE CULVERTS

STATION	OFFSET (FEET)	TO STATION	OFFSET (FEET)	PIPE CULVERTS, TYPE 1, CORR. STEEL OR ALUM. 15"Ø (FEET)	PIPE CULVERTS, TYPE 2, RCCP 24"Ø (FEET)	PIPE CULVERTS, TYPE 2, RCCP 36"Ø (FEET)	PIPE CULVERTS, TYPE 2, RCCP 42"Ø (FEET)	METAL END SECTION 15"Ø (EACH)
US 40								
252+37.27	28.10'	252+76.60	27.65' RT	35				2
TROY-O'FALLON ROAD								
103+43.20	25.42'	103+41.48	47.38' RT			42		
103+46.78	23.08'	103+49.41	48.06' LT			48		
108+67.78	35.09'	107+02.64	34.64' RT	31				2
108+84.80	50.23'	108+85.74	35.53' RT		17			
108+92.16	54.43'	108+92.81	62.76' LT		10			
111+69.45	56.63'	111+64.86	68.55' RT				11	
115+18.56	53.56'	115+62.38	49.84' RT	42				2
119+49.01	39.75'	119+49.32	50.64' LT			13		
121+15.24	44.41'	121+45.85	37.71' LT	27				2
TOTAL				135	27	103	11	8

P:\050162D\dwg\050162SCHED.dwg 4/16/2008 9:05:04 AM CDT

REVISIONS	
NAME	DATE

SCHEDULES

U.S. 40 TROY-O'FALLON ROAD IMPROVEMENTS
CITY OF TROY
MADISON COUNTY, ILLINOIS

PROJECT NO.	SECTION	COUNTY	TOTAL SHEETS	SHEET NO.
783	05-00025-00-TL	MADISON	127	6
STA.	TO STA.			

CONTRACT NO. 97352

PAVING SCHEDULE

STATION	TO	STATION	PORTLAND CEMENT CONCRETE BASE COURSE WIDENING 7"	AGGREGATE BASE COURSE, TYPE B 12"	SUB-BASE GRANULAR MATL., TYPE-C 5"	SUB-BASE GRANULAR MATL., TYPE-C 6"	HOT-MIX ASPHALT SURFACE COURSE, MIX "D", N70 1.5"	HOT-MIX ASPHALT BINDER COURSE, IL-19.0, N70 11.75"	HOT-MIX ASPHALT BINDER COURSE, IL-19.0, N70 12.5"	HOT-MIX ASPHALT BINDER COURSE, IL-19.0, N70 VARIOUS DEPTH	HOT-MIX ASPHALT SHOULDERS, 8"	AGGREGATE SHOULDERS, TYPE A 6"	AGGREGATE WEDGE SHOULDER, TYPE B	PROCESSING MODIFIED SOIL 12"	LIME	BIT. MATERIALS (PRIME COAT)	AGGREGATE (PRIME COAT)
			SQ YD	SQ YD	SQ YD	SQ YD	TON	TON	TON	TON	SQ YD	SQ YD	TON	SQ YD	TON	GALLON	TON
US 40																	
236+99.46		254+82.64				1,307.14	623.51		775.52		1,091.76	620.78	13.78	2,263.37	43.59	542.18	10.84
SOUTH MAIN STREET																	
99+79.71		100+09.71					33.00									28.70	0.57
TROY-O'FALLON ROAD																	
100+57.01		131+47.11			4,512.19		1,105.38	2,875.26			4,150.70		278.10	10,527.47	202.76	961.20	19.22
TURTLE CREEK																	
9+17.29		9+82.00	21.64	24.15			28.12			66.97						24.45	0.49
MEADOWBROOKE DRIVE																	
9+42.12		9+82.00	38.06	42.59			22.35			29.92						19.43	0.39
FAIR OAKS DRIVE																	
10+18.00		10+62.05	34.53	37.13			18.16			42.03						15.79	0.32
TOTAL			94.23	103.87	4,512.19	1,307.14	1,830.52	2,875.26	775.52	138.92	5,242.46	620.78	291.88	12,790.84	246.35	1,591.75	31.83

ENTRANCE SCHEDULE

LOCATION(STATION)	AGG BASE COURSE T-B, 6" (SQ YD)	AGG SURFACE COURSE T-A, 6" (SQ YD)	INCIDENTAL HOT-MIX ASPHALT SURFACING (TON)	HOT-MIX ASPHALT SURFACE COURSE, MIX "D", N70 1.5" (TON)	BITUMINOUS MATERIALS (PRIME COAT) (GALLON)	PCC DRIVEWAY PAVEMENT - 6" (SQ YD)	DRIVEWAY PAVEMENT REMOVAL (SQ YD)		
US 40									
237+23.11 RT				5.62	4.89				
238+90.78 LT C.E.		46.92							
241+34.31 LT				3.31	2.88				
241+34.57 RT C.E.		26.44				50.00			
242+85.44 RT C.E.		17.46				50.00			
243+15.54 RT C.E.				3.70	3.22				
243+35.94 RT C.E.		14.84				42.21			
247+93.02 RT C.E.				3.05	2.66				
248+63.33 LT				4.99	4.34				
249+74.42 RT C.E.	35.19		4.04		13.19		61.01		
252+57.01 RT C.E.	38.48		4.43		14.43		69.48		
253+90.45 RT C.E.	8.26		0.95		3.10		31.42		
TROY-O'FALLON ROAD									
102+09.60 RT C.E.		59.14				41.63			
102+45.37 RT C.E.		59.14				41.63			
102+74.75 LT C.E.						64.98	81.58		
104+91.01 LT P.E.	7.95		0.91		2.98	10.31	17.06		
105+17.31 RT C.E.	7.22		0.83		2.71	38.59	37.65		
105+58.05 LT P.E.	6.67		0.77		2.50	11.17	18.09		
106+32.00 LT P.E.	13.26		1.52		4.97	11.40	26.37		
106+85.02 RT P.E.						56.69	59.49		
107+41.07 LT P.E.		7.16				11.22			
109+72.05 LT P.E.	34.22		3.94		12.83		35.85		
110+60.67 RT P.E.	106.57		12.26		39.96		135.52		
116+15.12 LT P.E.	74.80		8.60		28.05		88.27		
116+76.61 RT P.E.	34.91		4.01		13.09		56.39		
121+31.99 LT P.E.	23.32		2.68		8.75		40.07		
TOTAL			390.85	231.10	44.94	20.67	164.55	429.83	758.25

PIPE CULVERT REMOVAL

STATION	PIPE CULVERT REMOVAL (FEET)
US 40	
241+07.97 RT TO 241+55.24 RT	47.28
242+81.99 RT TO 243+47.05 RT	65.05
252+39.23 RT TO 252+74.44 RT	35.21
TROY-O'FALLON ROAD	
103+40.43 RT	14.39
103+44.28 RT	14.89
103+46.43 LT	18.73
103+49.64 LT	18.18
106+70.38 RT TO 107+00.76 RT	30.72
107+74.20 RT TO 107+83.29 RT	10.70
108+36.86 RT TO 108+70.30 RT	35.83
111+69.45 RT	4.00
115+17.30 RT TO 115+59.39 RT	43.89
119+79.19 RT TO 120+20.73 RT	41.78
121+06.10 LT TO 121+56.57 LT	50.54
125+18.86 RT TO 126+01.08 RT	82.22
125+29.37 LT TO 125+85.51 LT	56.14
126+70.99 LT TO 127+03.11 LT	33.22
128+27.07 LT TO 128+68.46 LT	42.83
TOTAL:	
	645.60

FLARED END SECTION REMOVAL

STATION	FLARED END SECTION REMOVAL (EACH)
US 40	
244+36.97 RT	1
TROY-O'FALLON ROAD	
107+68.22 RT	1
108+76.48 RT	1
125+10.72 RT	1
125+20.97 LT	1
125+93.07 LT	1
126+09.71 RT	1
TOTAL:	
	7

PAVEMENT REMOVAL

STATION	PAVEMENT REMOVAL (SQ YD)
TROY-O'FALLON ROAD	
100+60.51 RT	1.63
108+35.55 RT	3.55
107+60.48 RT TO 108+71.28 RT	76.80
TOTAL:	
	81.98

REVISIONS	
NAME	DATE

SCHEDULES

U.S. 40 TROY-O'FALLON ROAD IMPROVEMENTS
CITY OF TROY
MADISON COUNTY, ILLINOIS

P:\050162D\dwg\050162SCHE.Dwg 4/16/2008 9:05:04 AM CDT

F&P NO.	SECTION	COUNTY	TOTAL SHEETS	SHEET NO.
793 9392	06-00025-00-LL 07-00025-01-WR	MADISON	127	7
STA.		TO STA.		

CONTRACT NO. 97352

CURB, GUTTER, & SIDEWALK SCHEDULE											
STATION	TO	STATION	GUTTER REMOVAL	COMB. CONC. CURB & GUTTER REMOVAL	SIDEWALK REMOVAL	CONCRETE GUTTER, TYPE A	CONCRETE GUTTER, TYPE B	COMB. CONC. CURB & GUTTER TYPE B6.24	COMB. CONC. CURB & GUTTER TYPE B6.18	PORTLAND CEMENT CONCRETE SIDEWALK, 4"	DETECTABLE WARNINGS
			FEET	FEET	SQ FT	FEET	FEET	FEET	FEET	SQ FT	SQ FT
US 40											
240+96.98	TO	244+37.71 RT						340.81			
TROY-O'FALLON ROAD											
100+41.12	TO	104+05.54 LT						456.04			
100+48.01	TO	101+47.26 LT		153.09							
100+52.65	TO	101+65.81 RT		152.90							
100+57.01	TO	107+56.45 RT						714.03			
101+47.26	TO	107+53.93 L	603.07								
101+65.81	TO	105+41.63 R	378.44								
103+43.40 RT			11.66								
103+48.01 LT			13.39								
104+05.54	TO	104+75.93 LT					69.78				
105+05.90	TO	105+42.75 LT					36.43				
105+73.42	TO	106+16.57 LT					42.77				
106+47.61	TO	106+16.57 LT					77.03				
115+52.68	TO	116+03.37 LT				49.39					
116+28.70	TO	116+60.12 LT				30.62					
TURTLE CREEK											
9+17.29	TO	9+83.71 LT		63.46				74.80			
9+17.29	TO	9+82.73 RT		75.88	242.11			82.17	278.69	8.00	
9+28.21	TO	9+71.44 LT			67.69				197.49	8.00	
MEADOWBROOKE DRIVE											
9+42.12	TO	9+80.00 LT		44.46	105.33			50.01	147.90	8.00	
9+42.12	TO	9+77.00 RT		46.88	87.97			42.47	148.25	8.00	
FAIR OAKS DRIVE											
10+20.11	TO	10+62.05 LT		40.98				46.67			
10+20.11	TO	10+62.05 RT		40.52	68.91			54.18	147.51	8.00	
10+30.78	TO	10+59.66 LT			65.36				161.05	8.00	
TOTAL			1,006.56	618.17	637.37	80.01	226.01	1,510.88	350.30	1,080.89	48.00

EARTHWORK SCHEDULE							
STATION	TO	STATION	EARTH EXCAVATION	EARTH EXCAVATION ADJUSTED FOR SHRINKAGE	EMBANKMENT	EARTHWORK BALANCE WASTE(+), SHORTAGE (-)	
			CU YD	CU YD	CU YD	CU YD	
US 40							
236+99.46	TO	254+82.64	830	622.5	72	550.5	
TROY-O'FALLON ROAD							
100+26.33	TO	131+47.11	1,609	1,206.75	6,417	-5,210.25	
TOTAL			2,439	1,829.25	6,489	-4,659.75	

PERIMETER EROSION BARRIER			
STATION	TO	STATION	PERIMETER EROSION BARRIER
			FEET
TROY-O'FALLON ROAD			
108+16.26	TO	108+83.20 LT	64.51
108+86.44	TO	110+50.00 RT	176.20
109+00.00	TO	109+28.13 LT	32.49
111+00.00	TO	111+53.58 LT	56.92
111+18.88	TO	111+60.35 RT	47.03
111+74.48	TO	114+99.97 LT	310.90
111+79.45	TO	115+27.10 RT	374.82
117+00.00	TO	119+40.05 RT	248.06
117+50.00	TO	119+44.16 LT	191.36
119+54.53	TO	121+26.04 LT	172.52
128+68.44	TO	131+00.00 LT	242.51
TOTAL			1,917.32

INLET & PIPE PROTECTION			
STATION	OFFSET		NUMBER OF APPLICATIONS
			EACH
US 40			
241+06.51	38.53'	RT	1
242+53.38	39.40'	RT	1
242+53.38	32.50'	RT	1
244+44.10	33.57'	RT	1
252+36.39	28.10'	RT	1
252+77.39	27.65'	RT	1
TROY-O'FALLON ROAD			
102+51.29	25.00'	RT	1
102+74.70	25.00'	LT	1
103+43.20	25.42'	RT	1
103+46.78	23.08'	LT	1
104+66.02	21.33'	LT	1
106+67.78	35.09'	RT	1
107+02.64	34.64'	RT	1
107+59.32	35.52'	RT	1
107+83.29	33.53'	RT	1
108+32.29	52.68'	RT	1
108+36.86	36.63'	RT	1
108+84.68	52.23'	RT	1
108+93.30	68.87'	RT	1
109+14.44	58.81'	RT	1
115+18.56	53.56'	RT	1
115+62.38	49.84'	RT	1
119+49.36	58.79'	LT	1
121+15.24	44.41'	LT	1
121+45.85	37.71'	LT	1
125+09.25	35.00'	RT	1
125+15.05	32.13'	LT	1
125+28.56	41.23'	RT	1
125+39.12	49.59'	LT	1
125+76.95	50.80'	LT	1
125+87.81	39.43'	RT	1
126+03.09	36.66'	LT	1
128+24.70	37.67'	LT	1
TOTAL			33

EROSION CONTROL BLANKET			
STATION	TO	STATION	EROSION CONTROL BLANKET
			SQ. YD.
US 40			
239+50.20	TO	241+16.46 RT	245.22
252+68.70	TO	253+71.83 RT	146.90
TROY-O'FALLON ROAD			
106+94.69	TO	107+66.87 RT	124.33
122+00.00	TO	125+13.26 RT	520.21
TOTAL			1,036.66

CLASS SI CONCRETE					
STATION	TYPE A GUTTER ENTRANCE (CU. YD.)	TYPE A GUTTER INLET (CU. YD.)	TYPE A GUTTER OUTLET (CU. YD.)	TYPE B GUTTER ENTRANCE (CU. YD.)	TYPE B GUTTER OUTLET (CU. YD.)
	TROY-O'FALLON ROAD				
104+91.01 LT				2.09	
105+58.05 LT				2.20	
106+32.00 LT				2.24	
107+41.07 LT				2.22	
107+57.44 TO 107+82.10 LT					1.90
115+15.79 TO 115+52.68 LT			4.57		
116+15.12 LT	3.72				
116+60.12 TO 116+72.42 LT		0.92			
TOTAL	3.72	0.92	4.57	8.75	1.90

HOT-MIX ASPHALT SURFACE REMOVAL - BUTT JOINT	
STATION	HOT-MIX ASPHALT SURFACE REMOVAL - BUTT JOINT SQ. YD.
US 40	
236+99.46 TO 237+29.46	73.32
241+34.31 LT	37.65
243+15.54 LT	43.46
248+63.33 LT	43.46
254+52.64 TO 254+82.64	69.66
SOUTH MAIN ST.	
99+79.71 TO 100+09.71	382.61
TROY-O'FALLON RD.	
131+17.11 TO 131+47.11	79.87
TOTAL	744.38

PORTLAND CEMENT CONCRETE SURFACE REMOVAL - BUTT JOINT	
STATION	HOT-MIX ASPHALT SURFACE REMOVAL - BUTT JOINT SQ. YD.
US 40	
237+23.11 RT	64.49
247+93.02 RT	36.01
TURTLE CREEK	
9+17.29 TO 9+27.29	62.03
MEADOWBROOKE DR.	
9+42.12 TO 9+62.12	94.17
FAIR OAKS DR.	
10+42.05 TO 10+62.05	63.28
TOTAL	319.98

REVISIONS	
NAME	DATE

SCHEDULES	
U.S. 40 TROY-O'FALLON ROAD IMPROVEMENTS CITY OF TROY MADISON COUNTY, ILLINOIS	

P:\050162D\dwg\050162SCH.DWG 4/16/2008 9:05:04 AM CDT

F&P NO.	SECTION	COUNTY	TOTAL SHEETS	SHEET NO.
793 9392	05-00025-00-IL 07-00025-01-MR	MADISON	127	8
STA.		TO STA.		

CONTRACT NO. 97352

SIGNAGE SCHEDULE						
STATION	OFFSET (FEET)	SIGN TYPE	SIZE	SIGN PANEL - TYPE 1	WOOD SIGN SUPPORT	
				SQ. FT.	FOOT	
MAST ARM MOUNTED						
SOUTHBOUND		R10-12	24"X30"	5.00	-	
NORTHBOUND		R10-12	24"X30"	5.00	-	
US 40						
241+91.88	37.33	RT	R3-1100	24"X24"	4.00	15.5
TROY-O'FALLON ROAD						
103+01.78	29.04	LT	R3-1100	24"X24"	4.00	12.0
104+22.69	29.67	RT	R3-9B	24"X36"	6.00	13.0
113+91.54	33.00	LT	R3-9B	24"X36"	6.00	15.0
118+54.25	33.00	RT	R3-9B	24"X36"	6.00	15.0
132+08.74	33.00	LT	R3-9B	24"X36"	6.00	15.0
				TOTAL	42	85.5

RAISED REFLECTIVE PAVEMENT MARKER							
LOCATION	ONE-WAY CRYSTAL	ONE-WAY AMBER	TWO-WAY AMBER				
	EACH	EACH	EACH	EACH			
US 40							
236+99.46 TO 244+34.46		20	8				
241+39.46 TO 244+34.46	15						
245+57.64 TO 250+42.64	13						
245+57.64 TO 254+82.64		20	13				
SOUTH MAIN STREET							
96+37.11 TO 99+74.40		8					
98+54.40 TO 99+74.40	4						
TROY-O'FALLON ROAD							
100+61.83 TO 102+78.81	10						
124+01.66 TO 127+21.11	6						
100+61.83 TO 131+47.11		20	115				
				TOTAL	48	68	136

PAVEMENT MARKING REMOVAL			
STATION TO STATION	DESCRIPTION	PAVEMENT MARKING REMOVAL	
		SQ FT	
SOUTH MAIN STREET			
96+37.11 TO 99+79.71	4" CENTERLINE	226.12	
96+63.54 TO 98+58.55 RT	4" SKIP-DASH	15.84	
98+58.55 TO 99+70.97 RT	4" TURN LANE	37.10	
98+79.88 TO 99+53.36 RT	LETTERS & SYMBOLS	84.60	
99+70.97 TO 99+79.93 RT	8" ENVELOPE	12.70	
99+78.20 TO 99+79.93 RT	12" DIAGONALS	2.46	
		TOTAL	378.82

THERMOPLASTIC PAVEMENT MARKINGS										
STATION	DESCRIPTION	4" YELLOW LINE	4" WHITE LINE	6" WHITE LINE	8" WHITE LINE	12" YELLOW LINE	12" WHITE LINE	24" WHITE LINE	LETTERS AND SYMBOLS	
		FEET	FEET	FEET	FEET	FEET	FEET	FEET	SQ FT	
US 40										
236+99.46 TO 244+34.46	DOUBLE CENTERLINE	2300.07								
236+99.46 TO 244+07.74 LT	EDGE LINE		708.33							
236+99.46 TO 244+37.81 RT	EDGE LINE		738.93							
237+48.83 TO 241+08.71	DIAGONALS					95.31				
239+71.89 TO 241+91.88 RT	2'-6" SKIP DASH		52.00							
241+39.46 TO 244+50.41 RT	LANE LINE		310.96							
241+87.57 TO 244+16.73	TURN ARROWS								93.6	
241+91.88 TO 244+52.49 RT	LANE LINE		260.62							
244+34.46	STOP BAR									
244+50.41 RT	STOP BAR							11.00		
244+52.49 TO 244+77.73	PAINTED MEDIAN				88.07		43.45			
244+65.43 RT	STOP BAR							18.00		
245+44.10 LT	STOP BAR							25.46		
245+44.10 TO 250+42.64 LT	LANE LINE		498.54							
245+52.22 TO 254+82.64 LT	EDGE LINE		933.13							
245+57.64	STOP BAR							11.00		
245+57.64 TO 254+82.64	DOUBLE CENTERLINE	2680.03								
246+03.79 TO 249+94.72	TURN ARROWS								46.8	
246+25.38 TO 254+82.64 RT	EDGE LINE		857.46							
250+88.39 TO 254+21.76	DIAGONALS					94.63				
SOUTH MAIN STREET										
96+37.11 TO 99+74.40	DOUBLE CENTERLINE	1052.20								
96+37.11 TO 99+97.04 LT	EDGE LINE		372.27							
96+37.11 TO 100+11.58 RT	EDGE LINE		419.75							
96+75.39 TO 98+36.10	DIAGONALS					35.84				
97+75.40 TO 98+54.40 RT	2'-6" SKIP DASH		20.00							
98+54.40 TO 99+91.83 RT	LANE LINE		137.43							
98+79.09 TO 99+63.00 RT	TURN ARROWS								84.6	
99+74.40 RT	STOP BAR							10.00		
99+91.83 RT	STOP BAR							26.03		
TROY-O'FALLON ROAD										
100+42.63 TO 100+80.55 LT	PAINTED MEDIAN				133.72		81.81			
100+43.79 TO 131+47.11 LT	EDGE LINE		3073.73							
100+56.36 LT	STOP BAR							18.00		
100+61.83 LT	STOP BAR							12.00		
100+61.83 TO 102+00.63	LANE LINE		138.80							
100+80.55 TO 102+78.81 LT	LANE LINE		198.26							
100+85.63 RT	STOP BAR							12.00		
100+85.63 TO 102+00.63 RT	DOUBLE CENTERLINE	230.00								
101+02.04 TO 126+99.37	TURN ARROWS								405.6	
102+00.63 TO 123+41.66 RT	TWTL	2141.03								
102+00.63 TO 123+41.66 RT	10'-30' SKIP DASH	540.00								
102+60.63 TO 123+41.66 LT	TWTL	2081.03								
102+60.63 TO 123+41.66 LT	10'-30' SKIP DASH	520.00								
102+78.81 TO 104+98.81	2'-6" SKIP DASH		54.00							
100+56.69 TO 131+47.11 RT	EDGE LINE		2924.08							
124+01.66 TO 125+16.66 RT	LANE LINE		115.00							
124+01.66 TO 125+16.66 LT	DOUBLE CENTERLINE	230.00								
126+06.11 TO 127+21.11 LT	LANE LINE		115.00							
126+06.11 TO 127+21.11 RT	DOUBLE CENTERLINE	230.00								
127+21.11 TO 131+47.11	DOUBLE CENTERLINE	1655.25								
127+21.11 TO 131+47.11	DIAGONALS					96.03				
TURTLE CREEK										
9+65.28 RT	STOP BAR							25.39		
9+69.28	CROSS WALK			60.93						
9+75.28	CROSS WALK			75.32						
MEADOWBROOKE DRIVE										
9+62.00 RT	STOP BAR							26.28		
9+66.00	CROSS WALK			57.83						
9+72.00	CROSS WALK			68.92						
FAIR OAKS DRIVE										
10+28.00	CROSS WALK			55.09						
10+34.00	CROSS WALK			44.00						
10+38.00 LT	STOP BAR							19.36		
		TOTAL	13,659.61	11,928.29	362.09	221.79	321.81	196.29	154.49	630.6

REVISIONS	
NAME	DATE

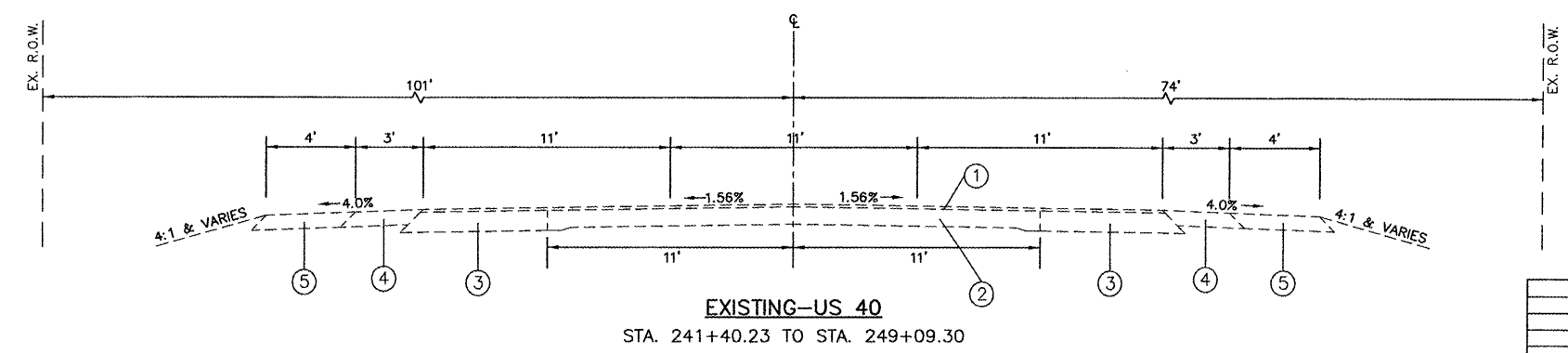
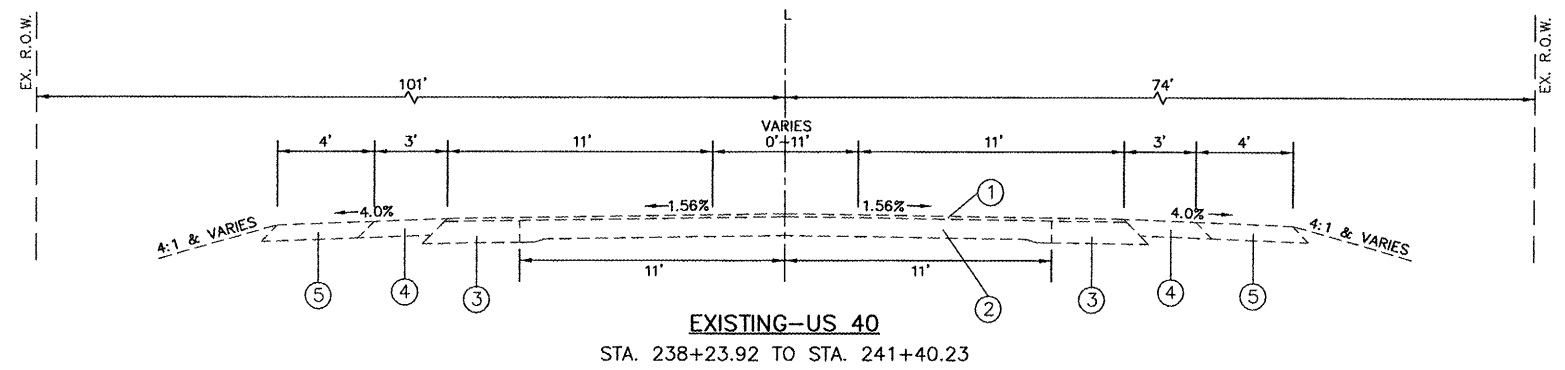
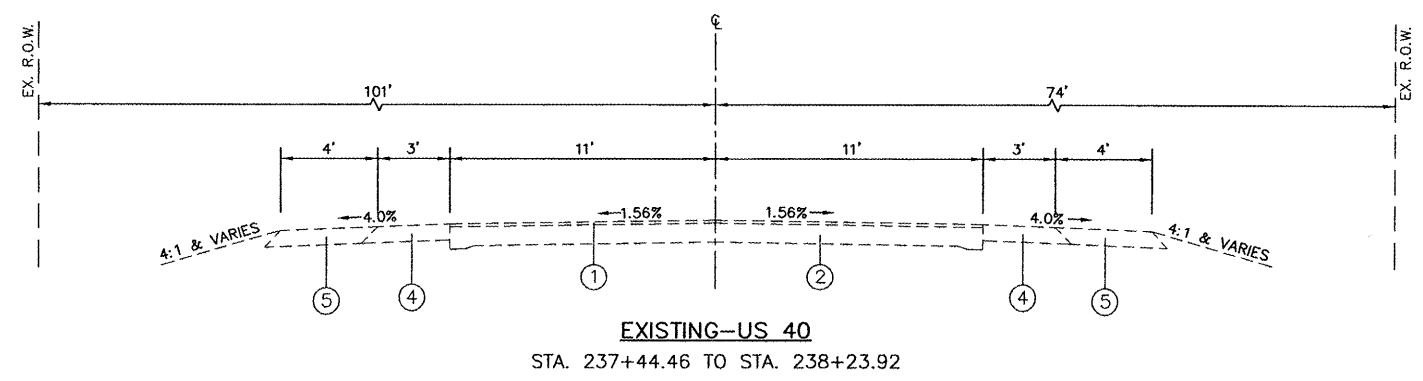
SCHEDULES

U.S. 40 TROY-O'FALLON ROAD IMPROVEMENTS
CITY OF TROY
MADISON COUNTY, ILLINOIS

P:\050162D\dwg\050162SCH.ED.dwg 4/16/2008 9:05:04 AM CDT

FAP NO.	SECTION	COUNTY	TOTAL SHEETS	SHEET NO.
793	05-00025-00-TL	MADISON	127	9
EXISTING US 40				

CONTRACT NO. 97352



LEGEND

①	EXISTING BITUMINOUS SURFACE COURSE, 3"
②	EXISTING CONCRETE PAVEMENT, 8"
③	EXISTING BITUMINOUS BASE COURSE, 11"
④	EXISTING BITUMINOUS SHOULDER, 8"
⑤	EXISTING AGGREGATE SHOULDER, 8"

REVISIONS	
NAME	DATE

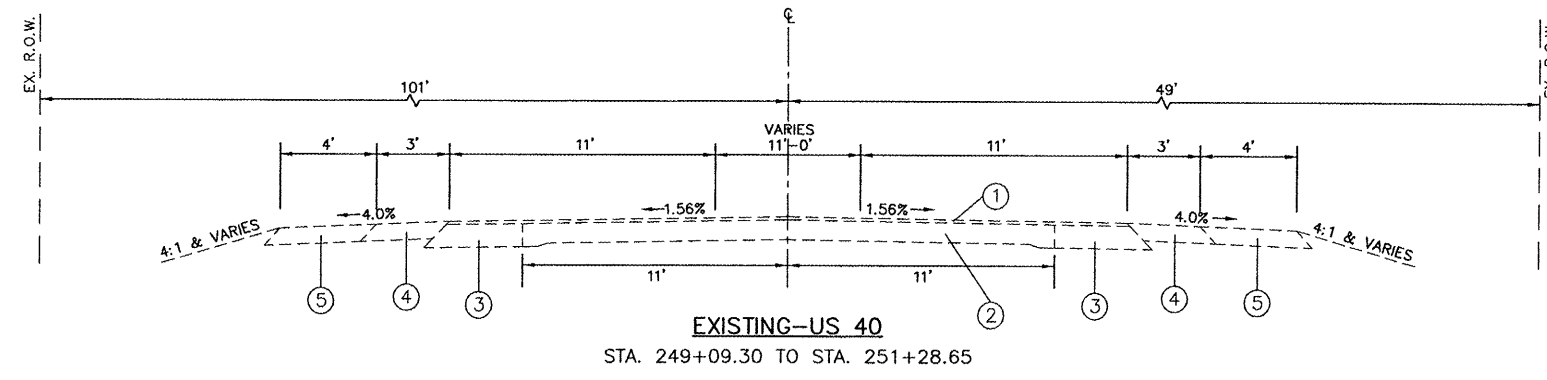
EXISTING CONDITIONS
TYPICAL SECTIONS

US 40 AND
TROY-O'FALLON ROAD IMPROVEMENTS
CITY OF TROY
MADISON COUNTY, ILLINOIS

050162TYP501.dwg 6/16/2008 1:38pm

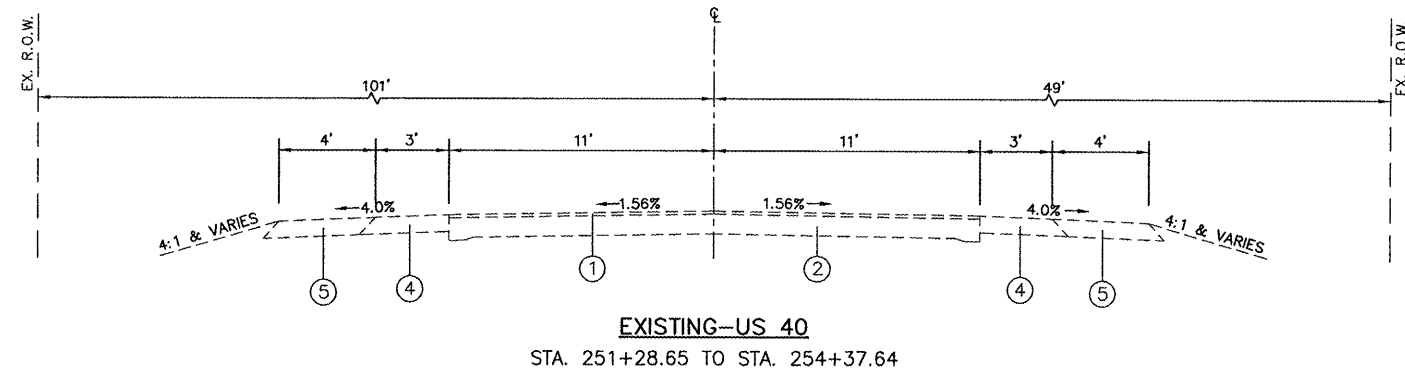
F&P NO.	SECTION	COUNTY	TOTAL SHEETS	SHEET NO.
793 9392.1.07	05-00025-00-1L 02-00029-01-WR	MADISON	127	10
EXISTING US 40				

CONTRACT NO. 97352



LEGEND

①	EXISTING BITUMINOUS SURFACE COURSE, 3"
②	EXISTING CONCRETE PAVEMENT, 8"
③	EXISTING BITUMINOUS BASE COURSE, 11"
④	EXISTING BITUMINOUS SHOULDER, 8"
⑤	EXISTING AGGREGATE SHOULDER, 8"



050162TYP501.dwg 6/16/2008 1:38pm

REVISIONS	
NAME	DATE

EXISTING CONDITIONS
TYPICAL SECTIONS

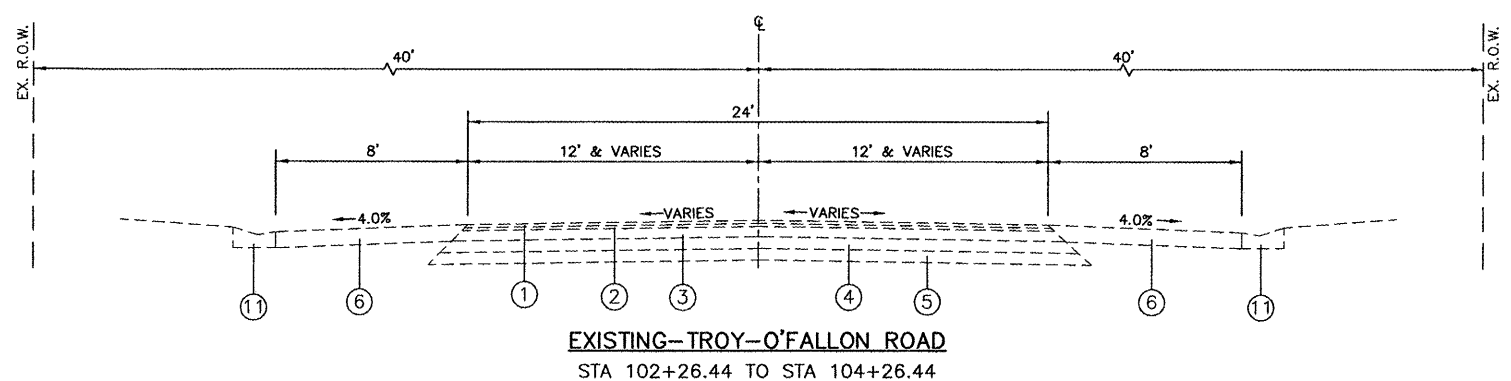
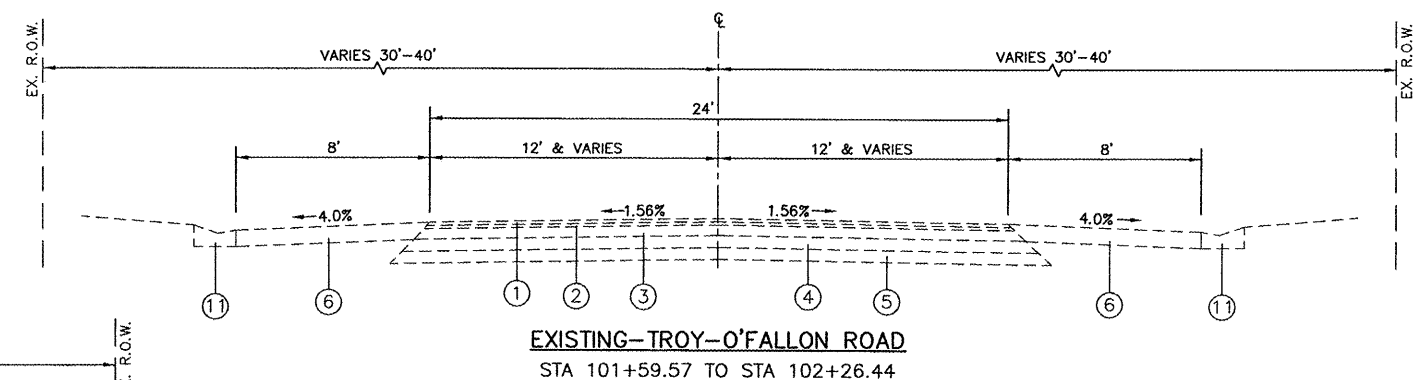
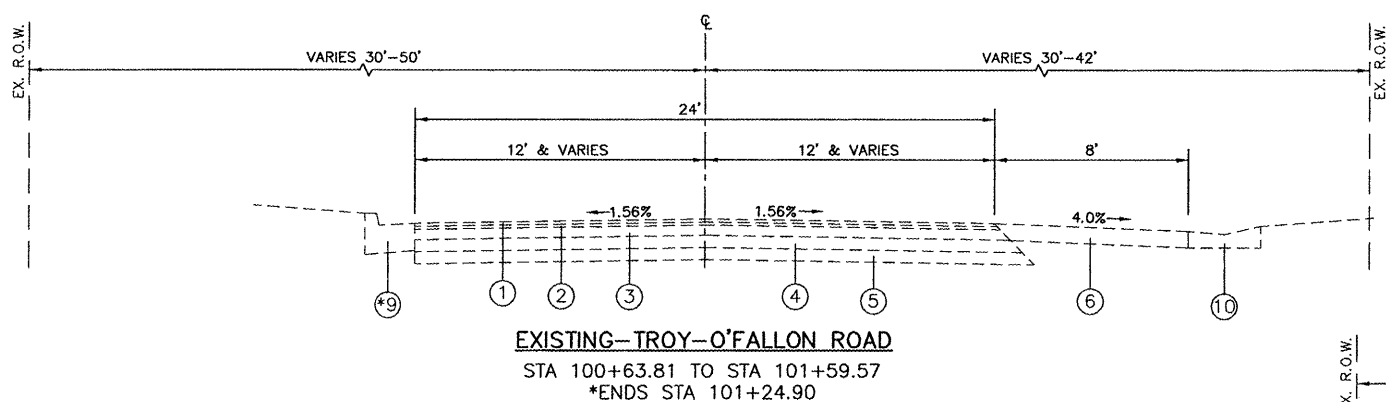
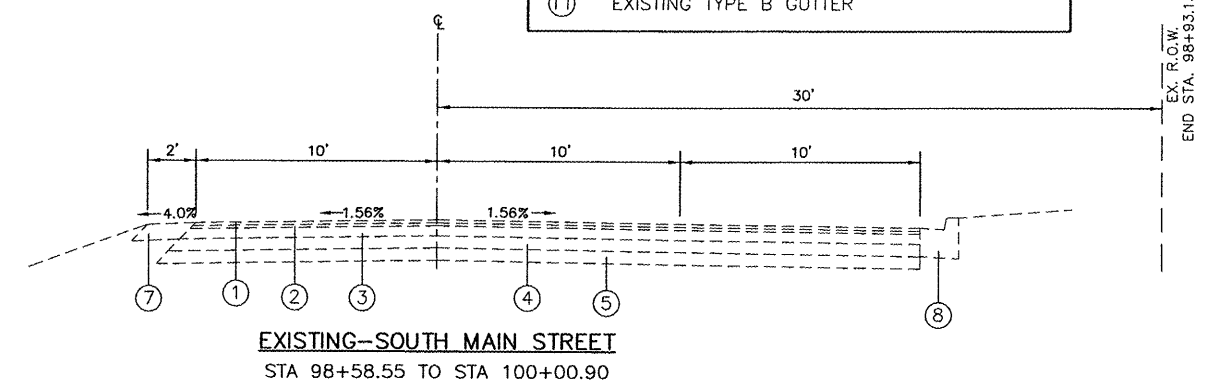
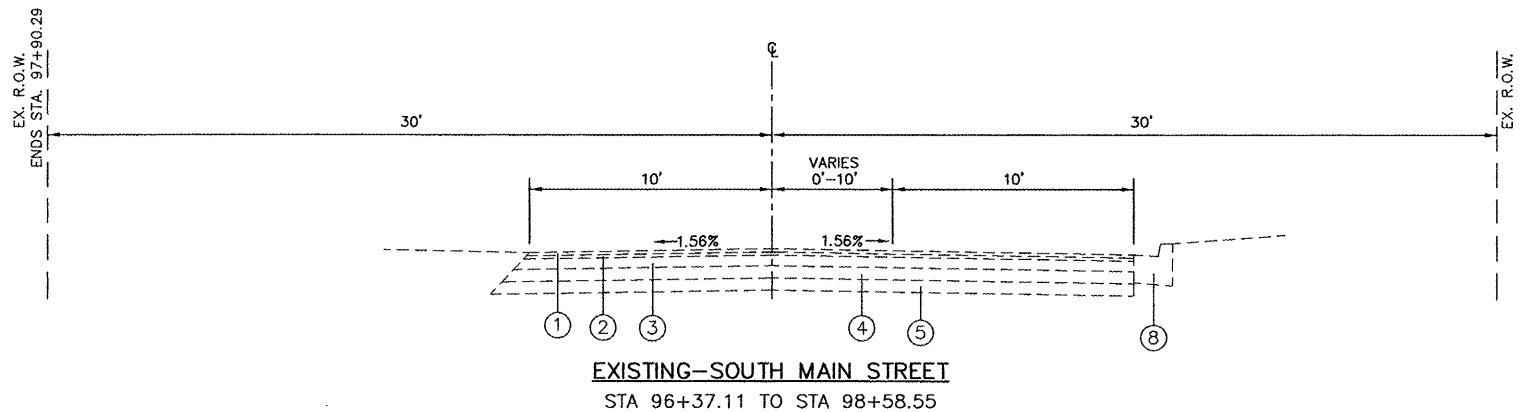
US 40 AND
TROY-O'FALLON ROAD IMPROVEMENTS
CITY OF TROY
MADISON COUNTY, ILLINOIS

FAH ROUTE	SECTION	COUNTY	TOTAL SHEETS	SHEET NO
793	05-00025-00-TL	MADISON	127	11
9392 07-00025-01-MR				
EXISTING TROY-O'FALLON ROAD				

CONTRACT NO. 97352

LEGEND

- ① EXISTING BITUMINOUS SURFACE COURSE, 1.5"
- ② EXISTING BITUMINOUS BINDER COURSE, 1.5"
- ③ EXISTING BITUMINOUS CONCRETE, 5"
- ④ EXISTING CRUSHED STONE BASE COURSE, 6"
- ⑤ EXISTING SUB-BASE GRANULAR MATERIAL, 6"
- ⑥ EXISTING BITUMINOUS SHOULDER, 6"
- ⑦ EXISTING AGGREGATE SHOULDER, 6"
- ⑧ EXISTING TYPE B-6.12 C&G
- ⑨ EXISTING TYPE B-6.18 C&G
- ⑩ EXISTING TYPE A GUTTER
- ⑪ EXISTING TYPE B GUTTER



REVISIONS	
NAME	DATE

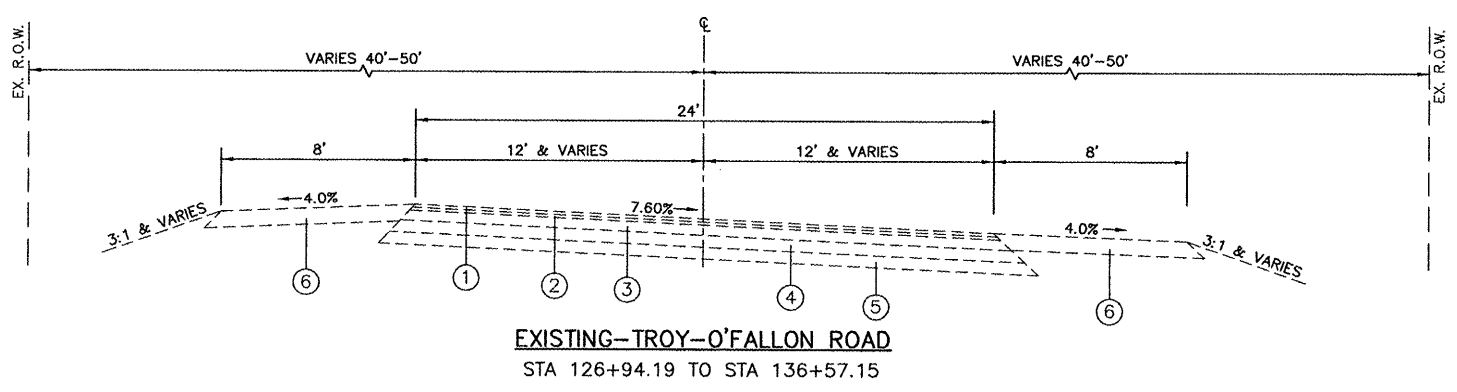
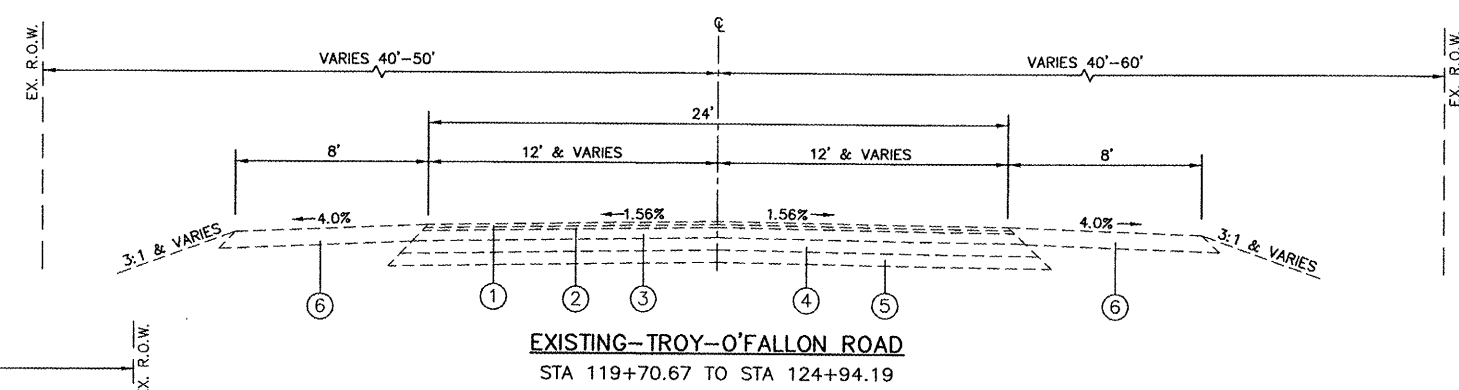
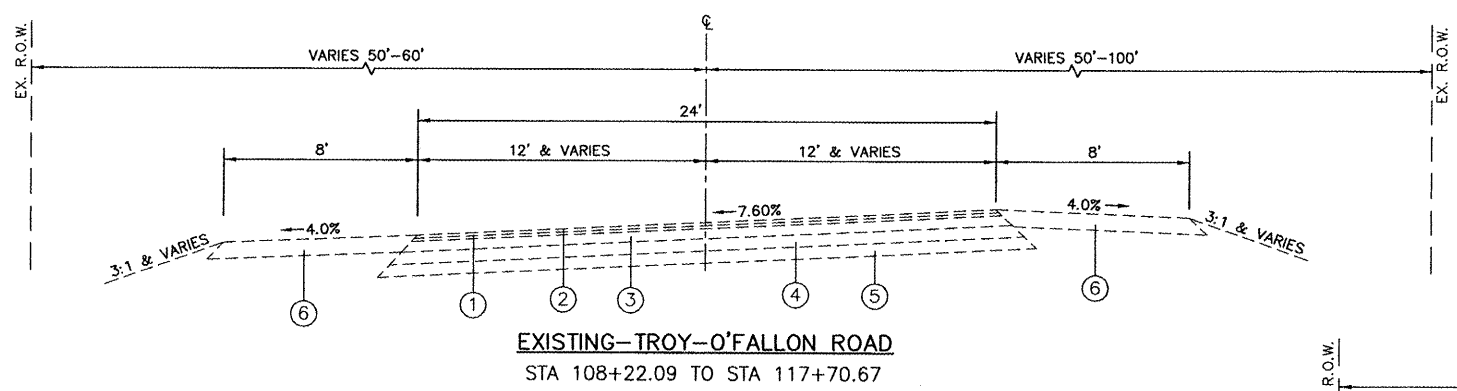
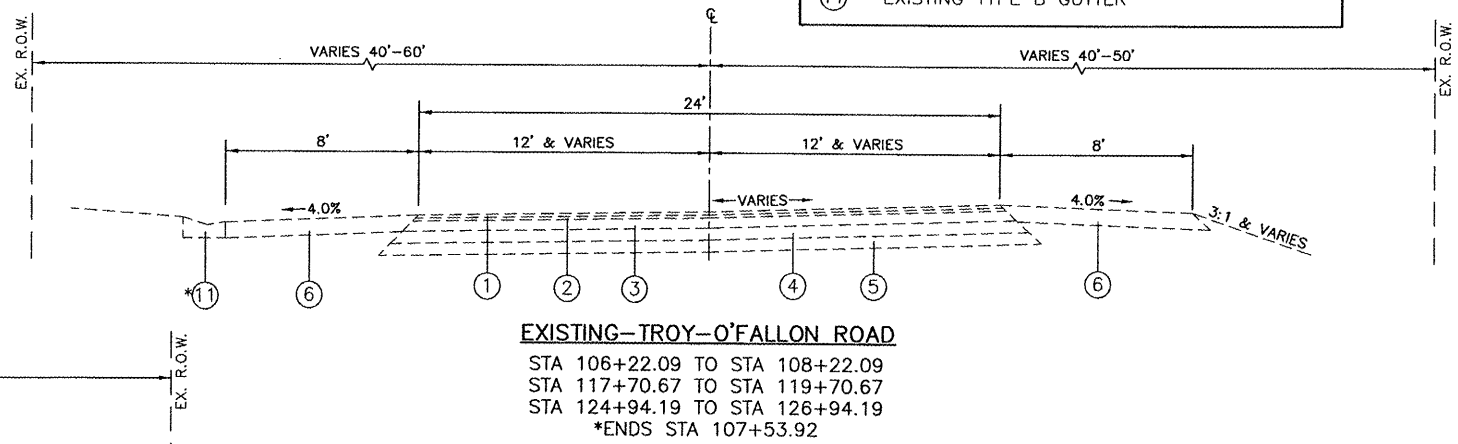
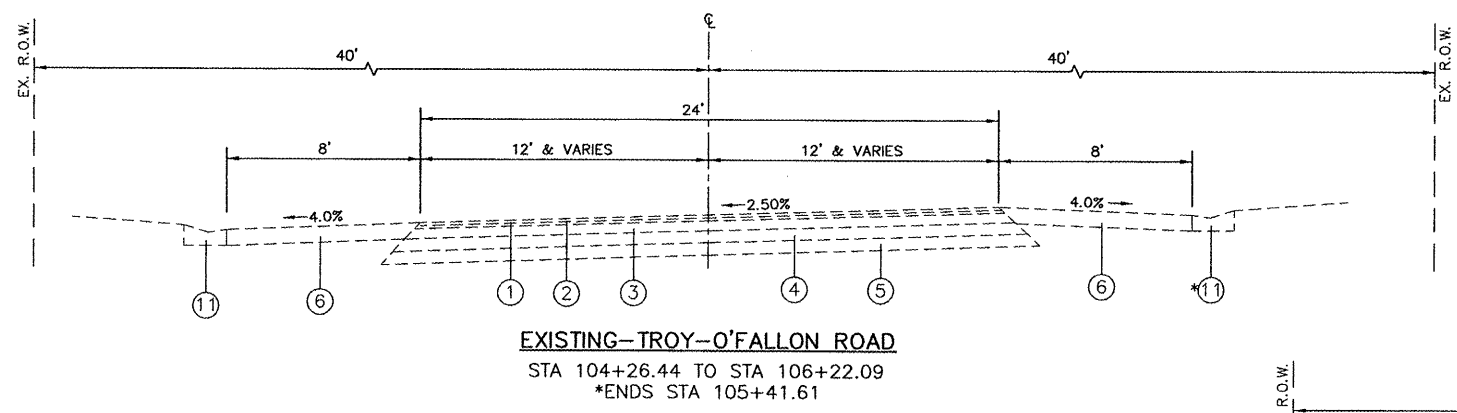
EXISTING CONDITIONS
TYPICAL SECTIONS

US 40 AND
TROY-O'FALLON ROAD IMPROVEMENTS
CITY OF TROY
MADISON COUNTY, ILLINOIS

090162TYP501.dwg 6/16/2008 1:39pm

CONTRACT NO. 97352

- LEGEND**
- ① EXISTING BITUMINOUS SURFACE COURSE, 1.5"
 - ② EXISTING BITUMINOUS BINDER COURSE, 1.5"
 - ③ EXISTING BITUMINOUS CONCRETE, 5"
 - ④ EXISTING CRUSHED STONE BASE COURSE, 6"
 - ⑤ EXISTING SUB-BASE GRANULAR MATERIAL, 6"
 - ⑥ EXISTING BITUMINOUS SHOULDER, 6"
 - ⑦ EXISTING AGGREGATE SHOULDER, 6"
 - ⑧ EXISTING TYPE B-6.12 C&G
 - ⑨ EXISTING TYPE B-6.18 C&G
 - ⑩ EXISTING TYPE A GUTTER
 - ⑪ EXISTING TYPE B GUTTER

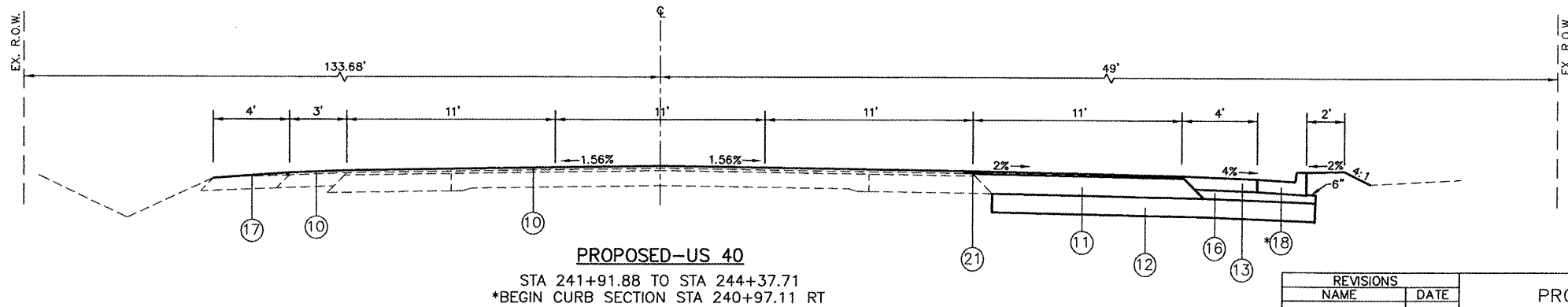
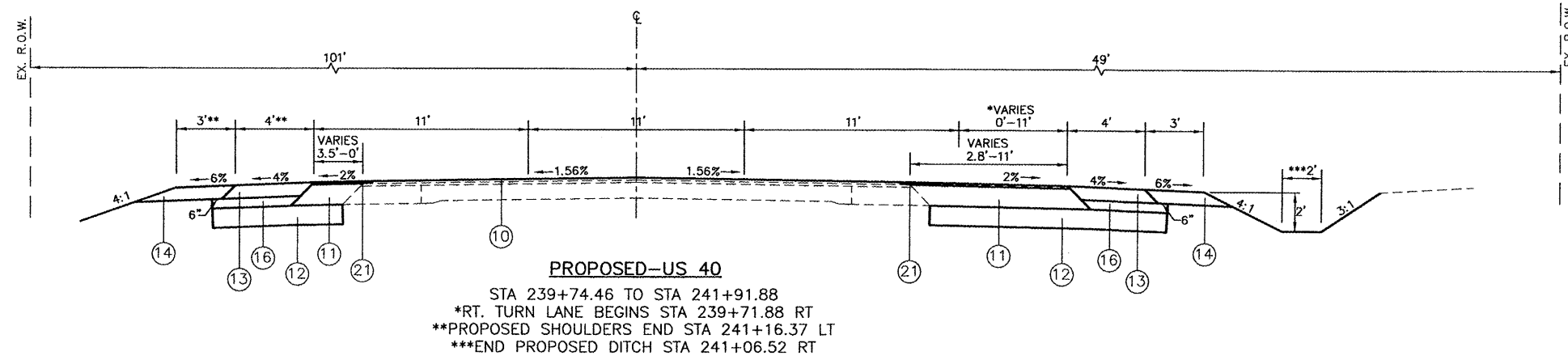
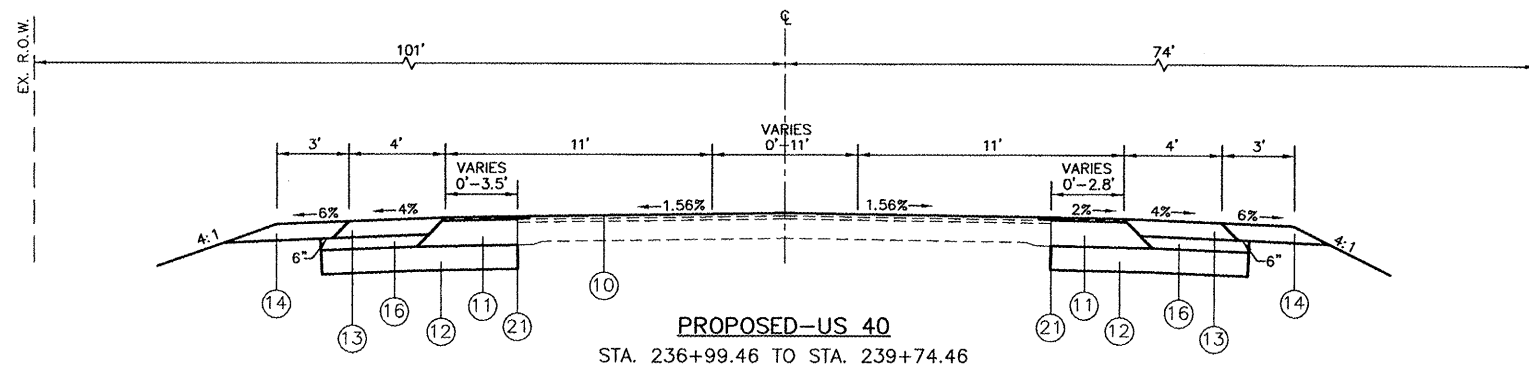


REVISIONS	
NAME	DATE

EXISTING CONDITIONS
 TYPICAL SECTIONS

US 40 AND
 TROY-O'FALLON ROAD IMPROVEMENTS
 CITY OF TROY
 MADISON COUNTY, ILLINOIS

- LEGEND**
- ⑩ PROPOSED HOT-MIX ASPHALT SURFACE COURSE, MIX "D", N70, 1.5"
 - ⑪ PROPOSED HOT-MIX ASPHALT BINDER COURSE, IL-19.0, N70, 12.5"
 - ⑫ PROPOSED PROCESSING MODIFIED SOIL, 12"
 - ⑬ PROPOSED HOT-MIX ASPHALT SHOULDER, 8"
 - ⑭ PROPOSED AGGREGATE SHOULDER, TYPE A, 6"
 - ⑮ PROPOSED SUB-BASE GRANULAR MATERIAL, TYPE C 5"
 - ⑯ PROPOSED SUB-BASE GRANULAR MATERIAL, TYPE C 6"
 - ⑰ PROPOSED AGGREGATE WEDGE SHOULDER, TYPE B
 - ⑱ PROPOSED TYPE B-6.24 C&G
 - ⑲ PROPOSED TYPE A GUTTER
 - ⑳ PROPOSED TYPE B GUTTER
 - ㉑ PROPOSED STRIP REFLECTIVE CRACK CONTROL TREATMENT
 - ㉒ PROPOSED CONCRETE BARRIER WALL (SPECIAL)



REVISIONS	
NAME	DATE

PROPOSED CONDITIONS
TYPICAL SECTIONS

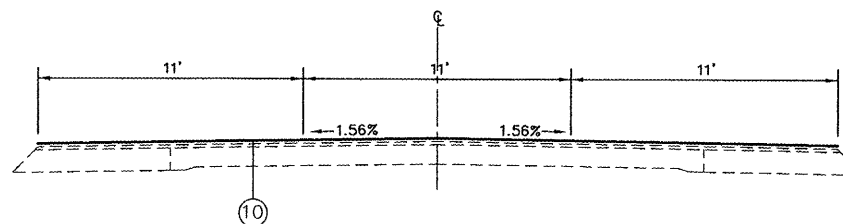
US 40 AND
TROY-O'FALLON ROAD IMPROVEMENTS
CITY OF TROY
MADISON COUNTY, ILLINOIS

FILE NO.	SECTION	COUNTY	TOTAL SHEETS	SHEET NO.
793 9.992.1.07-00025-01-115	05-00025-00-11 07-00025-01-115	MADISON	127	14
PROPOSED US 40				

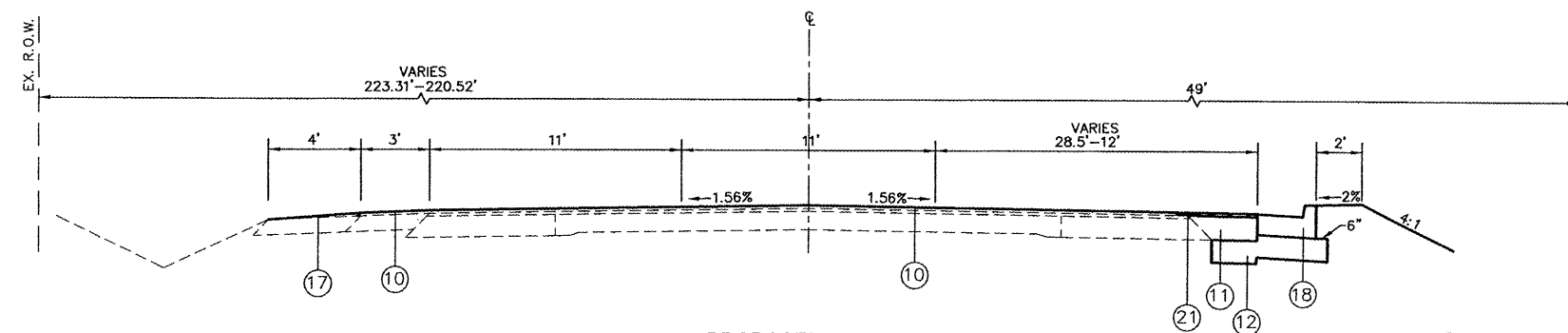
CONTRACT NO. 97352

LEGEND

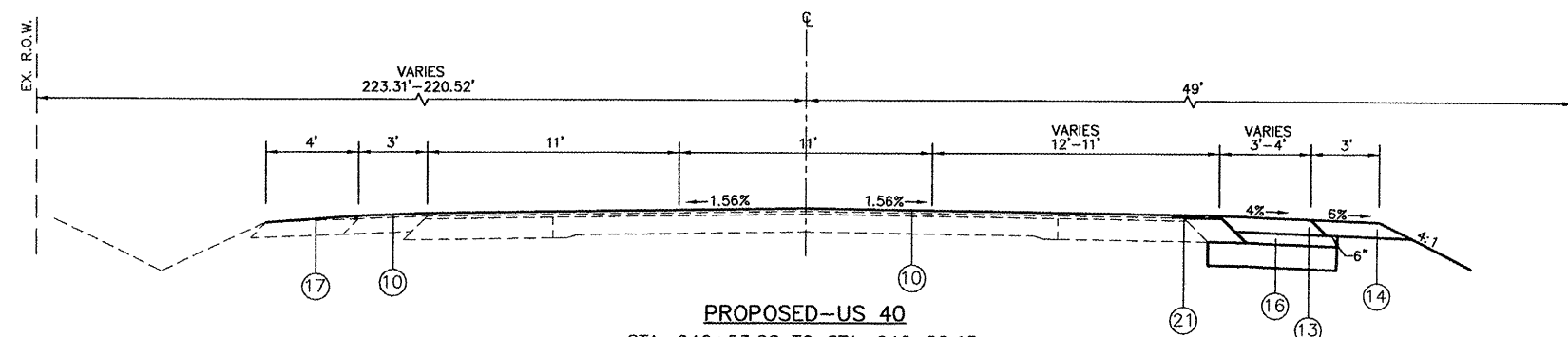
- ⑩ PROPOSED HOT-MIX ASPHALT SURFACE COURSE, MIX "D", N70, 1.5"
- ⑪ PROPOSED HOT-MIX ASPHALT BINDER COURSE, IL-19.0, N70, 12.5"
- ⑫ PROPOSED PROCESSING MODIFIED SOIL, 12"
- ⑬ PROPOSED HOT-MIX ASPHALT SHOULDER, 8"
- ⑭ PROPOSED AGGREGATE SHOULDER, TYPE A, 6"
- ⑮ PROPOSED SUB-BASE GRANULAR MATERIAL, TYPE C 5"
- ⑯ PROPOSED SUB-BASE GRANULAR MATERIAL, TYPE C 6"
- ⑰ PROPOSED AGGREGATE WEDGE SHOULDER, TYPE B
- ⑱ PROPOSED TYPE B-6.24 C&G
- ⑲ PROPOSED TYPE A GUTTER
- ⑳ PROPOSED TYPE B GUTTER
- ㉑ PROPOSED STRIP REFLECTIVE CRACK CONTROL TREATMENT
- ㉒ PROPOSED CONCRETE BARRIER WALL (SPECIAL)



PROPOSED-US 40
STA. 244+37.71 TO STA. 245+57.64
(SOUTH MAIN STREET/TROY-O'FALLON ROAD)



PROPOSED-US 40
STA. 245+57.64 TO STA. 246+53.28



PROPOSED-US 40
STA. 246+53.28 TO STA. 246+80.15

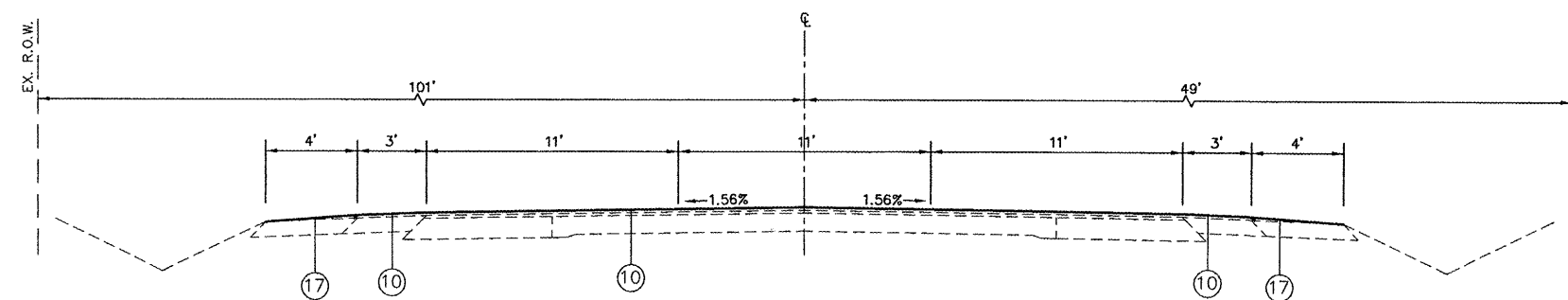
REVISIONS	
NAME	DATE

PROPOSED CONDITIONS
TYPICAL SECTIONS

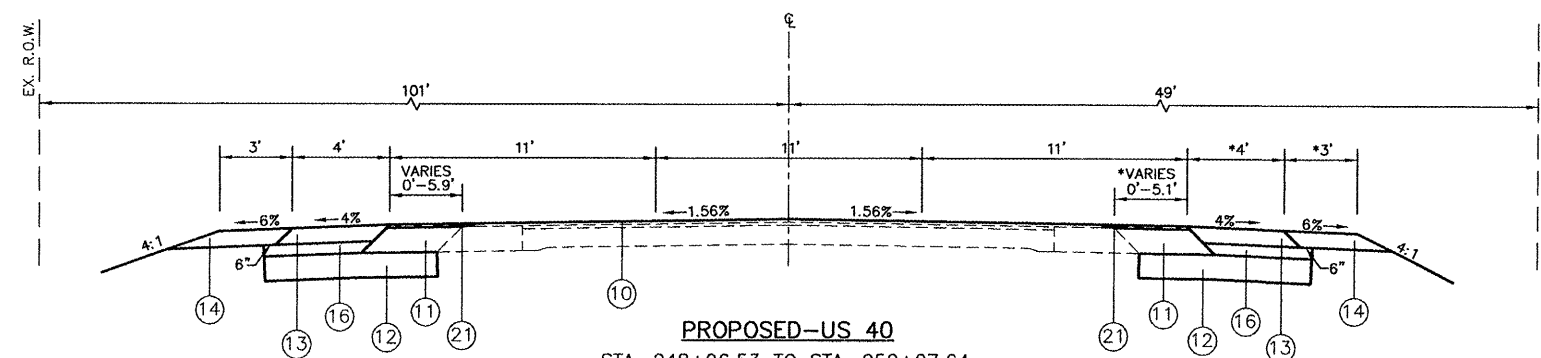
US 40 AND
TROY-O'FALLON ROAD IMPROVEMENTS
CITY OF TROY
MADISON COUNTY, ILLINOIS

F&P NO.	SECTION	COUNTY	TOTAL SHEETS	SHEET NO.
793 9392	05-00025-00-1L 07-00025-01-1RS	MADISON	127	15
PROPOSED US 40				

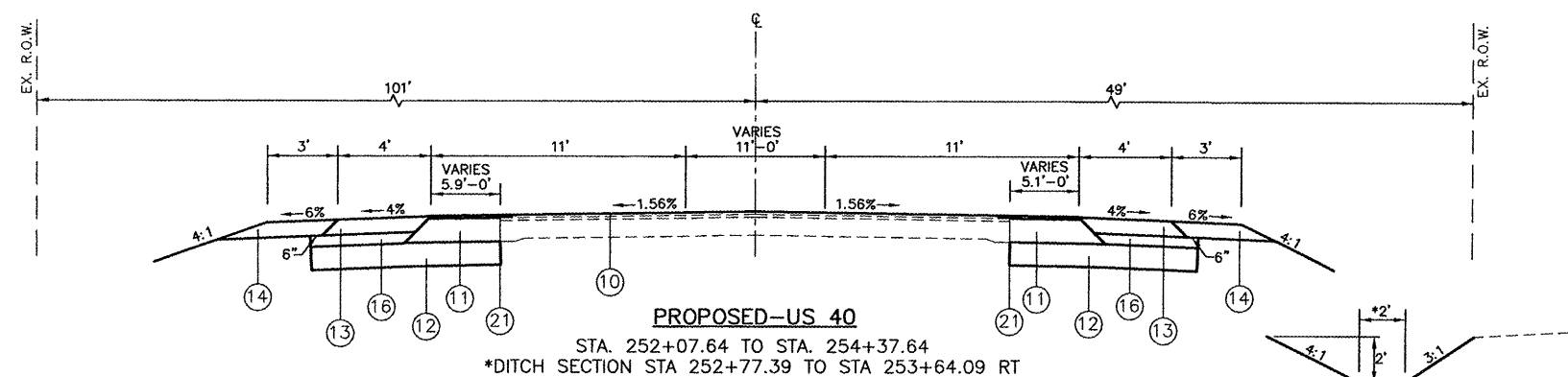
CONTRACT NO. 97352



PROPOSED-US 40
STA. 246+80.15 TO STA. 248+96.53



PROPOSED-US 40
STA. 248+96.53 TO STA. 252+07.64
*BEGIN WIDENING RT AT STA 249+09.03



PROPOSED-US 40
STA. 252+07.64 TO STA. 254+37.64
*DITCH SECTION STA 252+77.39 TO STA 253+64.09 RT

REVISIONS	
NAME	DATE

PROPOSED CONDITIONS
TYPICAL SECTIONS

US 40 AND
TROY-O'FALLON ROAD IMPROVEMENTS
CITY OF TROY
MADISON COUNTY, ILLINOIS

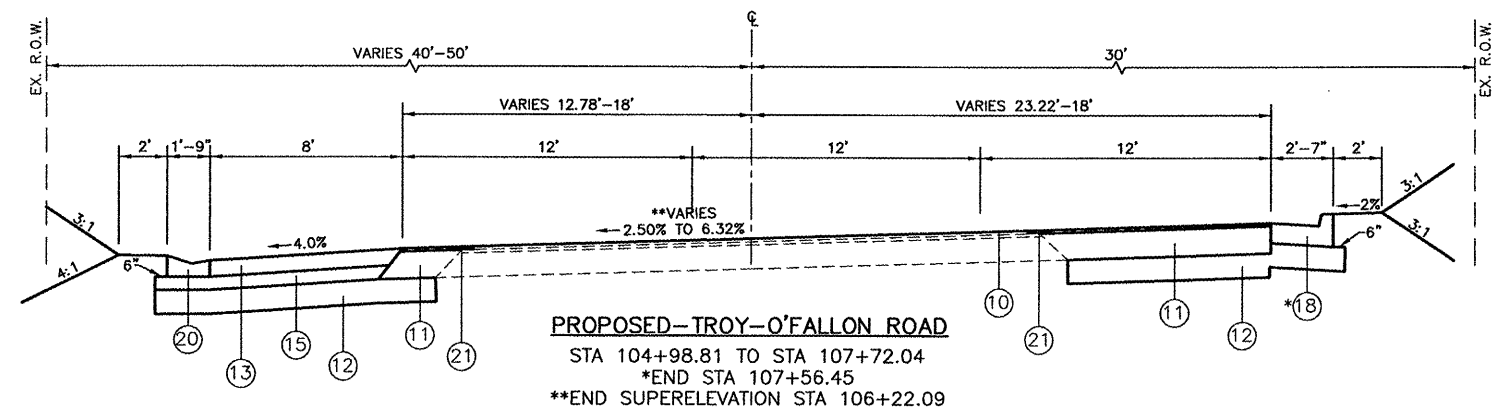
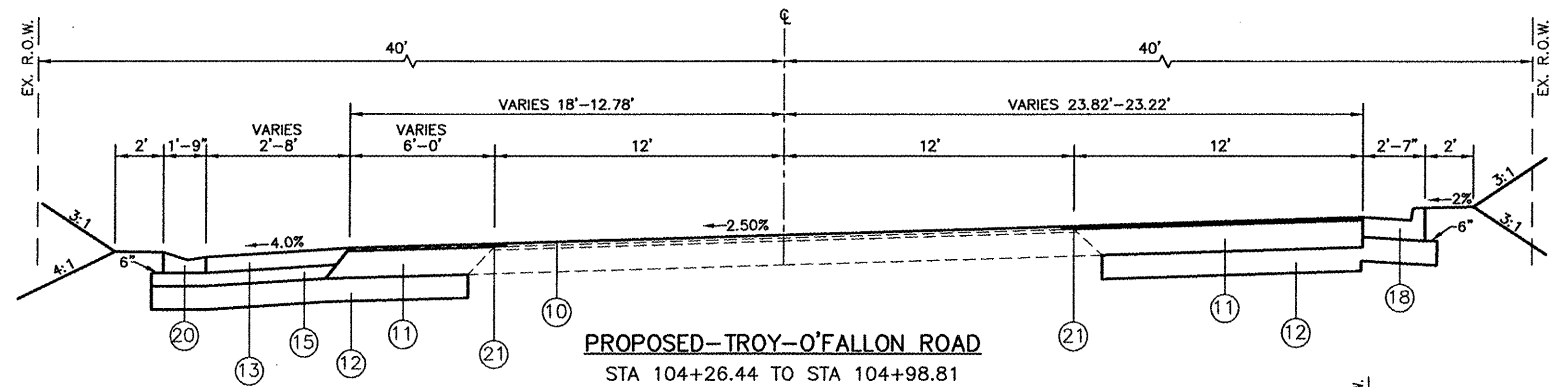
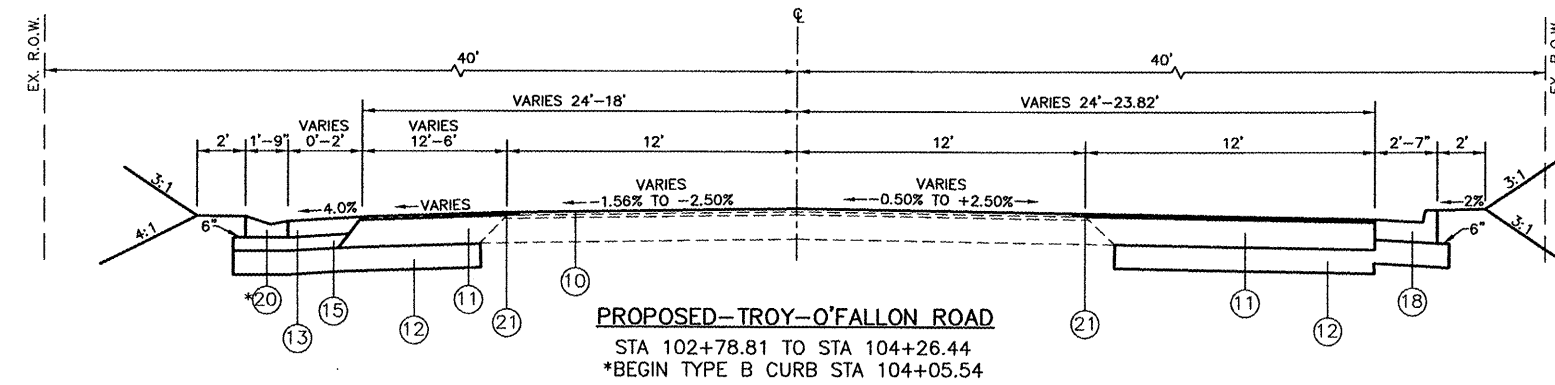
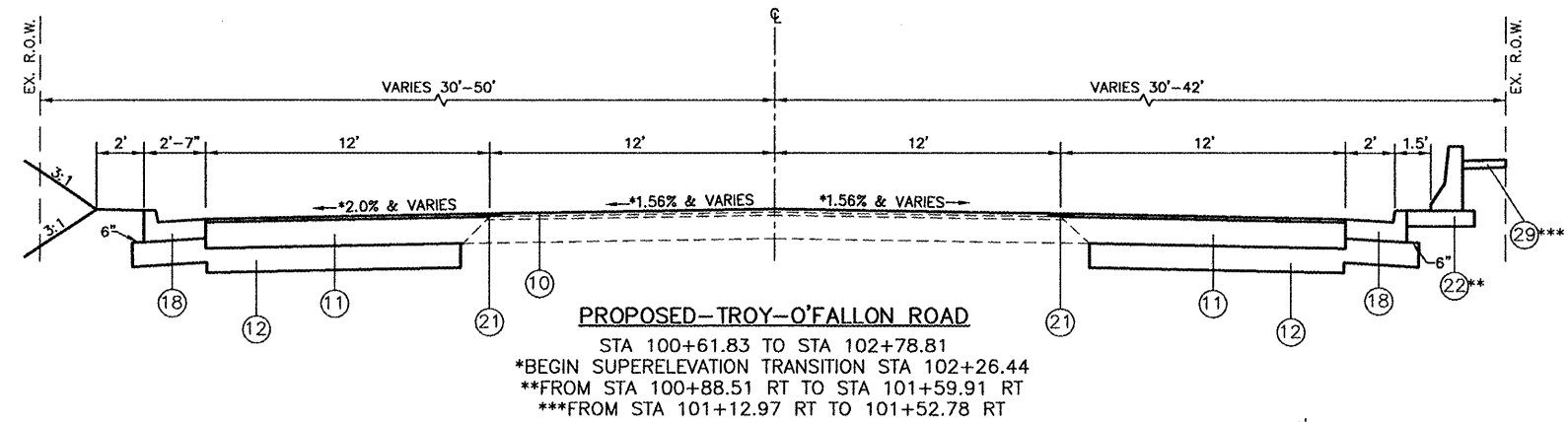
- LEGEND**
- ⑩ PROPOSED HOT-MIX ASPHALT SURFACE COURSE, MIX "D", N70, 1.5"
 - ⑪ PROPOSED HOT-MIX ASPHALT BINDER COURSE, IL-19.0, N70, 12.5"
 - ⑫ PROPOSED PROCESSING MODIFIED SOIL, 12"
 - ⑬ PROPOSED HOT-MIX ASPHALT SHOULDER, 8"
 - ⑭ PROPOSED AGGREGATE SHOULDER, TYPE A, 6"
 - ⑮ PROPOSED SUB-BASE GRANULAR MATERIAL, TYPE C 5"
 - ⑯ PROPOSED SUB-BASE GRANULAR MATERIAL, TYPE C 6"
 - ⑰ PROPOSED AGGREGATE WEDGE SHOULDER, TYPE B
 - ⑱ PROPOSED TYPE B-6.24 C&G
 - ⑲ PROPOSED TYPE A GUTTER
 - ⑳ PROPOSED TYPE B GUTTER
 - ㉑ PROPOSED STRIP REFLECTIVE CRACK CONTROL TREATMENT
 - ㉒ PROPOSED CONCRETE BARRIER WALL (SPECIAL)

050102TYP501.dwg 6/16/2008 1:39pm

PROJECT NO.	SECTION	COUNTY	TOTAL SHEETS	SHEET NO.
793 9392	05-00025-00-IL 07-00025-01-WR	MADISON	127	16

PROPOSED TROY-O'FALLON ROAD

CONTRACT NO. 97352



LEGEND

- ⑩ PROPOSED HOT-MIX ASPHALT SURFACE COURSE, MIX "D", N70, 1.5"
- ⑪ PROPOSED HOT-MIX ASPHALT BINDER COURSE, IL-19.0, N70, 11.75"
- ⑫ PROPOSED PROCESSING MODIFIED SOIL, 12"
- ⑬ PROPOSED HOT-MIX ASPHALT SHOULDER, 8"
- ⑭ PROPOSED AGGREGATE SHOULDER, TYPE A, 6"
- ⑮ PROPOSED SUB-BASE GRANULAR MATERIAL, TYPE C 5"
- ⑯ PROPOSED SUB-BASE GRANULAR MATERIAL, TYPE C 6"
- ⑰ PROPOSED AGGREGATE WEDGE SHOULDER, TYPE B
- ⑱ PROPOSED TYPE B-6.24 C&G
- ⑲ PROPOSED TYPE A GUTTER
- ⑳ PROPOSED TYPE B GUTTER
- ㉑ PROPOSED STRIP REFLECTIVE CRACK CONTROL TREATMENT
- ㉒ PROPOSED CONCRETE BARRIER WALL (SPECIAL)
- ㉓ PROPOSED CONCRETE MEDIAN SURFACE, 4"

REVISIONS	
NAME	DATE

PROPOSED CONDITIONS
 TYPICAL SECTIONS

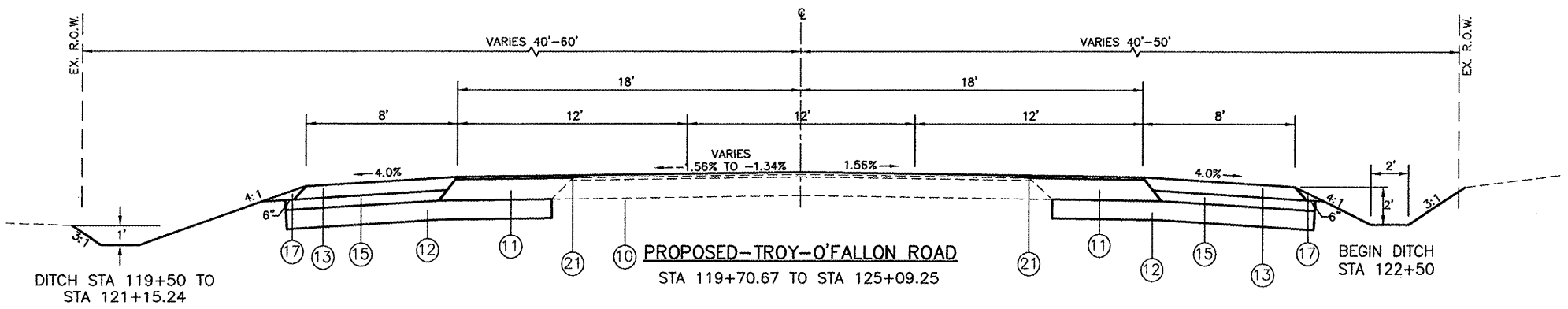
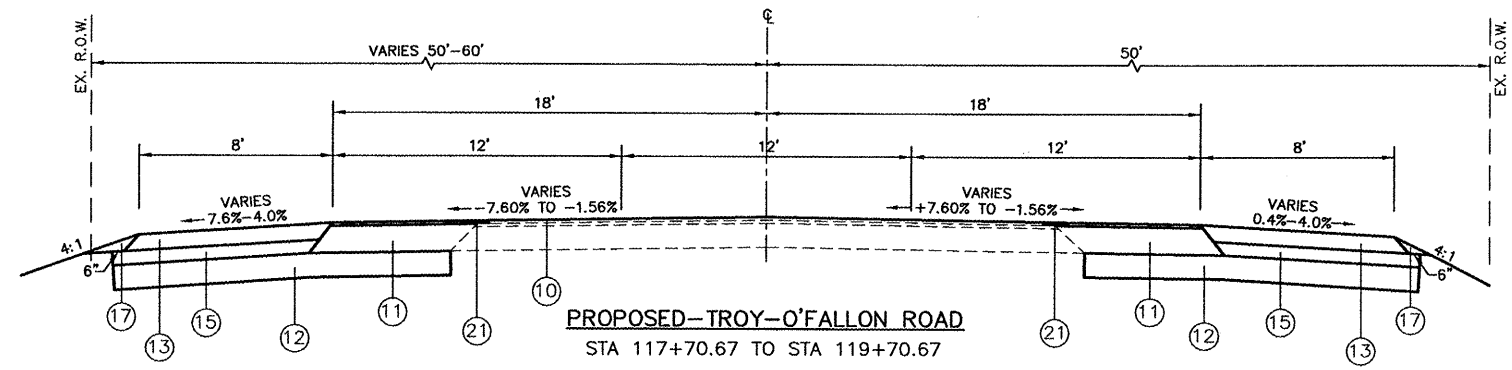
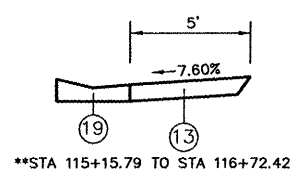
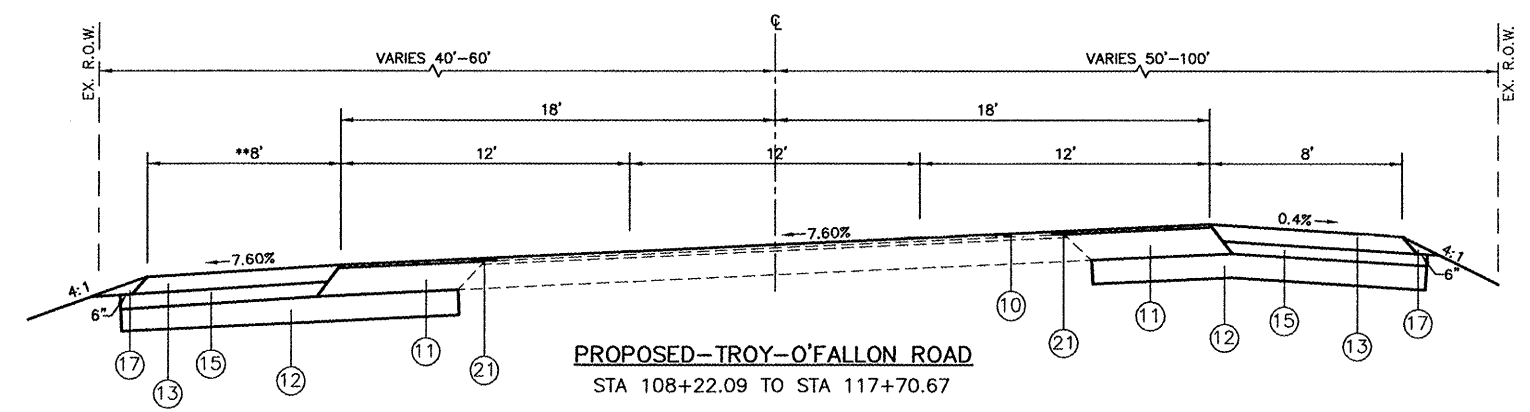
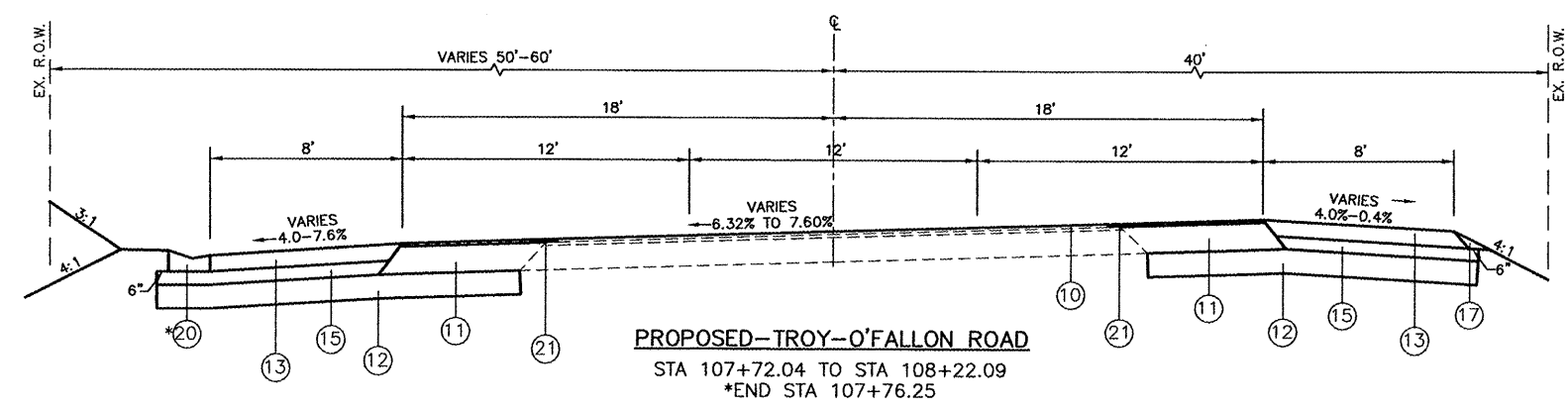
US 40 AND
 TROY-O'FALLON ROAD IMPROVEMENTS
 CITY OF TROY
 MADISON COUNTY, ILLINOIS

050162TYP01.dwg 7/16/2008 8:45am

FBI NO.	SECTION	COUNTY	TOTAL SHEETS	SHEET NO.
763	05-00025-00-TL	MADISON	127	17
9392	07-00025-01-WR			

PROPOSED TROY-O'FALLON ROAD
CONTRACT NO. 97352

- LEGEND**
- ⑩ PROPOSED HOT-MIX ASPHALT SURFACE COURSE, MIX "D", N70, 1.5"
 - ⑪ PROPOSED HOT-MIX ASPHALT BINDER COURSE, IL-19.0, N70, 11.75"
 - ⑫ PROPOSED PROCESSING MODIFIED SOIL, 12"
 - ⑬ PROPOSED HOT-MIX ASPHALT SHOULDER, 8"
 - ⑭ PROPOSED AGGREGATE SHOULDER, TYPE A, 6"
 - ⑮ PROPOSED SUB-BASE GRANULAR MATERIAL, TYPE C 5"
 - ⑯ PROPOSED SUB-BASE GRANULAR MATERIAL, TYPE C 6"
 - ⑰ PROPOSED AGGREGATE WEDGE SHOULDER, TYPE B
 - ⑱ PROPOSED TYPE B-6.24 C&G
 - ⑲ PROPOSED TYPE A GUTTER
 - ⑳ PROPOSED TYPE B GUTTER
 - ㉑ PROPOSED STRIP REFLECTIVE CRACK CONTROL TREATMENT
 - ㉒ PROPOSED CONCRETE BARRIER WALL (SPECIAL)



DITCH STA 119+50 TO STA 121+15.24

REVISIONS	
NAME	DATE

PROPOSED CONDITIONS
TYPICAL SECTIONS

US 40 AND
TROY-O'FALLON ROAD IMPROVEMENTS
CITY OF TROY
MADISON COUNTY, ILLINOIS

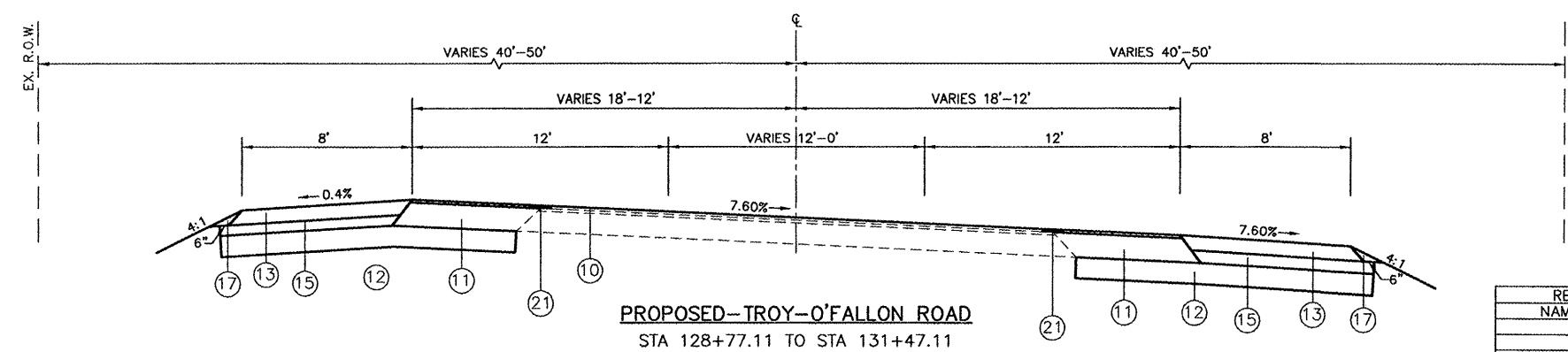
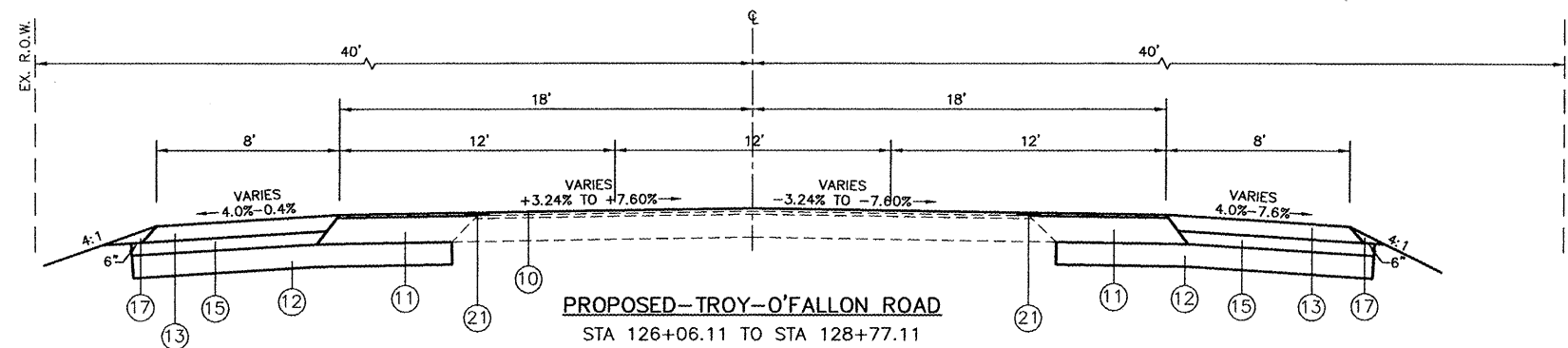
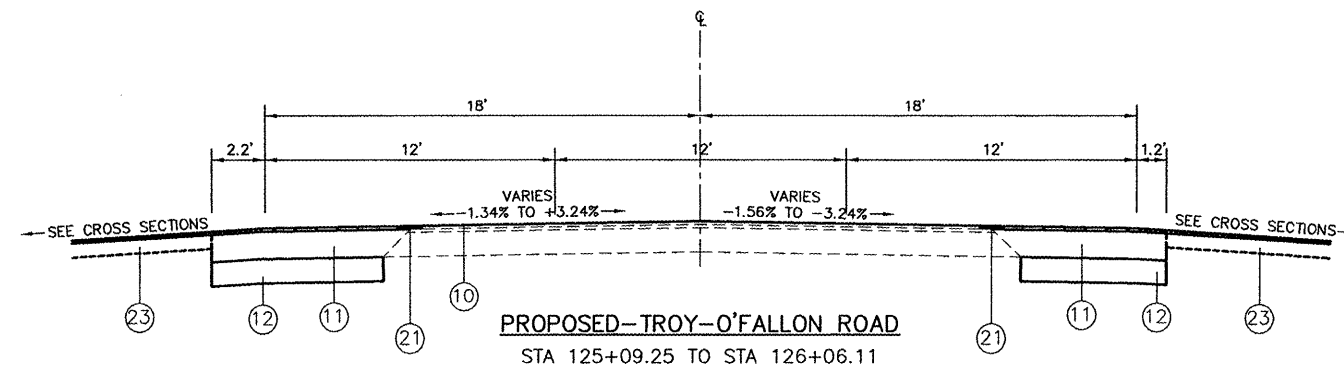
050182TYP01.dwg 7/16/2008 8:45am

PROJ. NO.	SECTION	COUNTY	TOTAL SHEETS	SHEET NO.
793 9392	05-00025-00-IL 07-00025-01-MR	MADISON	127	18
PROPOSED TROY-O'FALLON ROAD				

CONTRACT NO. 97352

LEGEND

- (10) PROPOSED HOT-MIX ASPHALT SURFACE COURSE, MIX "D", N70, 1.5"
- (11) PROPOSED HOT-MIX ASPHALT BINDER COURSE, IL-19.0, N70, 11.75"
- (12) PROPOSED PROCESSING MODIFIED SOIL, 12"
- (13) PROPOSED HOT-MIX ASPHALT SHOULDER, 8"
- (14) PROPOSED AGGREGATE SHOULDER, TYPE A, 6"
- (15) PROPOSED SUB-BASE GRANULAR MATERIAL, TYPE C 5"
- (16) PROPOSED SUB-BASE GRANULAR MATERIAL, TYPE C 6"
- (17) PROPOSED AGGREGATE WEDGE SHOULDER, TYPE B
- (18) PROPOSED TYPE B-6.24 C&G
- (19) PROPOSED TYPE A GUTTER
- (20) PROPOSED TYPE B GUTTER
- (21) PROPOSED STRIP REFLECTIVE CRACK CONTROL TREATMENT
- (22) PROPOSED CONCRETE BARRIER WALL (SPECIAL)
- (23) EXISTING PCC PAVEMENT, 7" (USE IN PLACE)



REVISIONS	
NAME	DATE

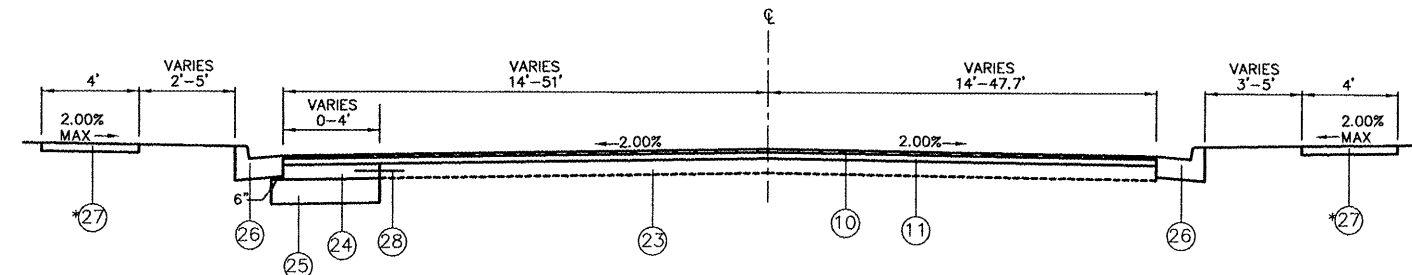
PROPOSED CONDITIONS
TYPICAL SECTIONS

US 40 AND
TROY-O'FALLON ROAD IMPROVEMENTS
CITY OF TROY
MADISON COUNTY, ILLINOIS

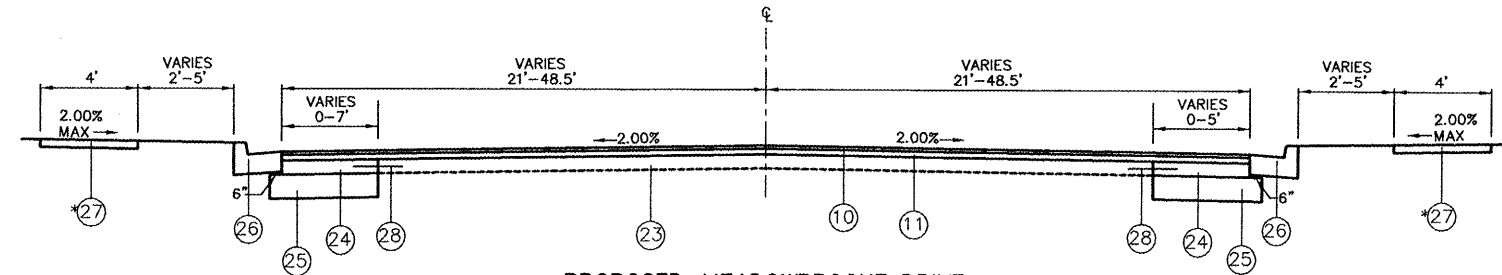
FILE NO.	SECTION	COUNTY	TOTAL SHEETS	SHEET NO.
7933 9392	05-00025-00-TL 07-00025-01-WR	MADISON	127	19

PROPOSED SUB-DIVISION ENTRANCES

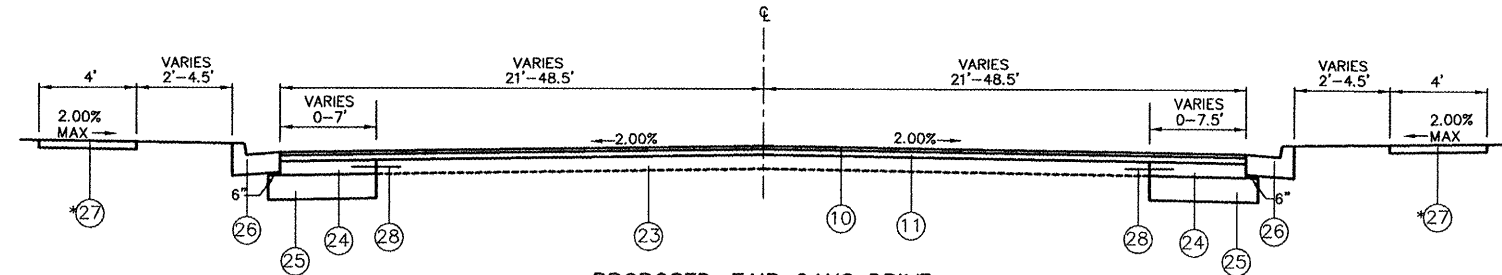
CONTRACT NO. 97352



PROPOSED-TURTLE CREEK
 STA 9+17.29 TO 9+82.00
 *SIDEWALK LOCATIONS AS SHOWN ON THE PLANS



PROPOSED-MEADOWBROOKE DRIVE
 STA 9+42.12 TO 9+82.00
 *SIDEWALK LOCATIONS AS SHOWN ON THE PLANS



PROPOSED-FAIR OAKS DRIVE
 STA 10+18.00 TO 10+62.05
 *SIDEWALK LOCATIONS AS SHOWN ON THE PLANS

LEGEND	
⑩	PROPOSED HOT-MIX ASPHALT SURFACE COURSE, MIX "D", N70, 1.5"
⑪	PROPOSED HOT-MIX ASPHALT BINDER COURSE, IL-19.0, N70, VARIABLE DEPTH
⑬	EXISTING PCC PAVEMENT, 7" (USE IN PLACE)
⑭	PROPOSED PCC BASE COURSE WIDENING, 7"
⑮	PROPOSED AGGREGATE BASE COURSE, TYPE B 12"
⑯	PROPOSED TYPE B-6.18 C&G
⑰	PROPOSED PCC SIDEWALK, 4"
⑱	PROPOSED NO. 6 24" EPOXY COATED TIE BARS AT 24" CENTERS (INCIDENTAL TO PCC BASE COURSE, 7") (SEE STD. 420001-07)

REVISIONS	
NAME	DATE

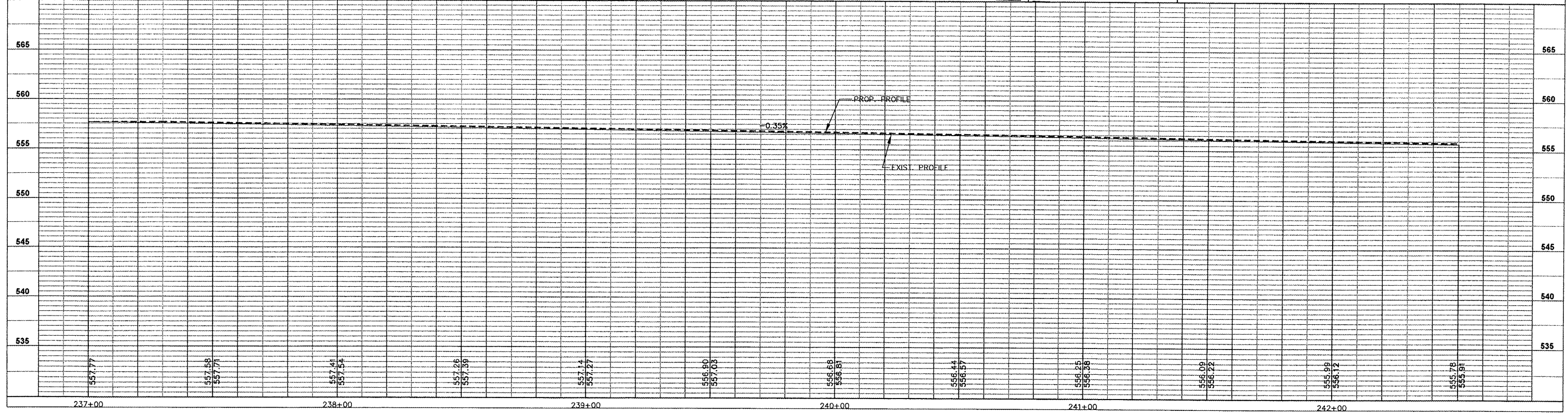
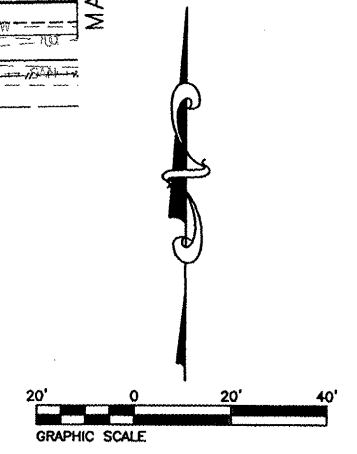
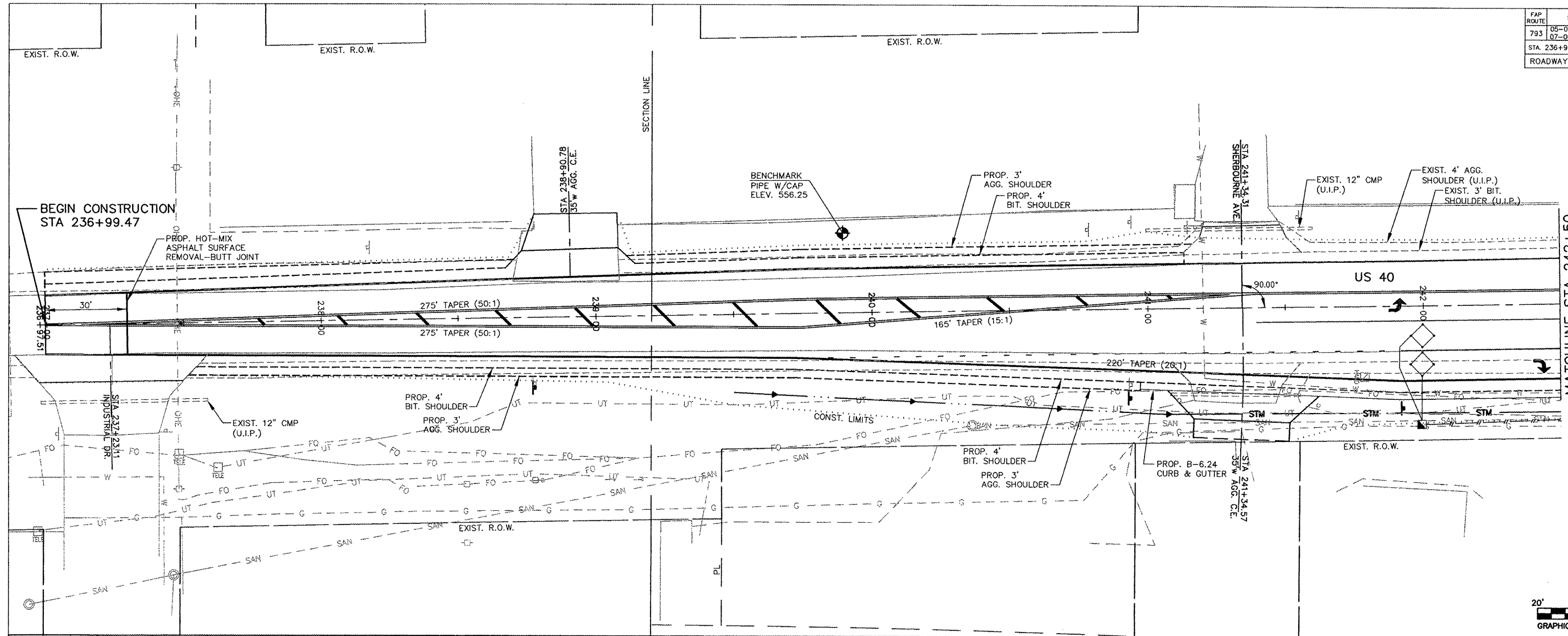
PROPOSED CONDITIONS
 TYPICAL SECTIONS

US 40 AND
 TROY-O'FALLON ROAD IMPROVEMENTS
 CITY OF TROY
 MADISON COUNTY, ILLINOIS

050182TYP01.dwg 6/16/2008 1:40pm

FAP ROUTE	SECTION	COUNTY	TOTAL SHEETS	SHEET NO.
793	05-00025-00-TL 07-00025-01-WR	MADISON	127	20
STA. 236+99.47		TO STA. 242+50		
ROADWAY PLAN AND PROFILE				

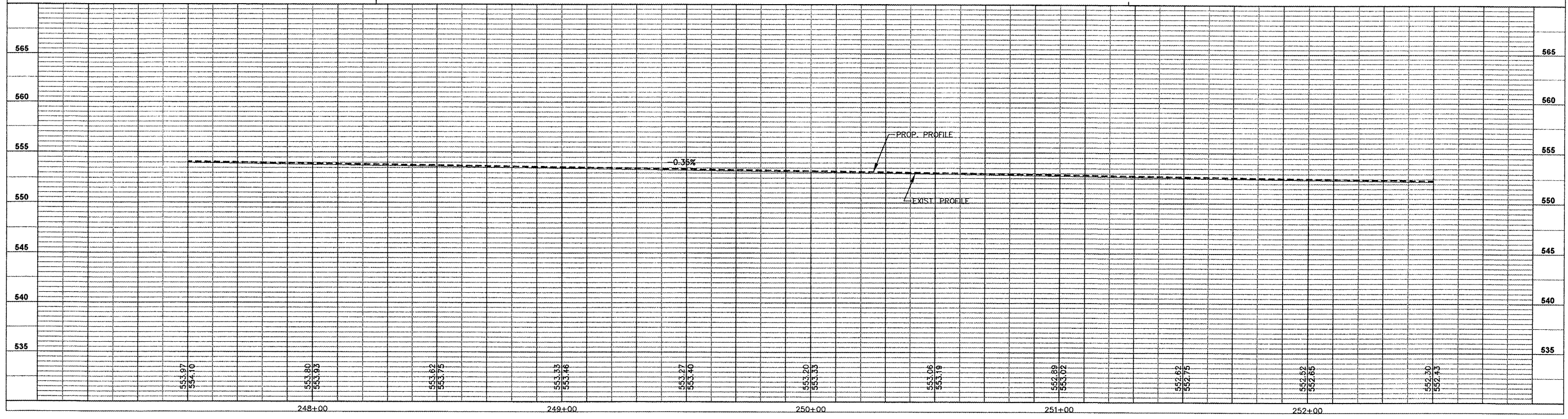
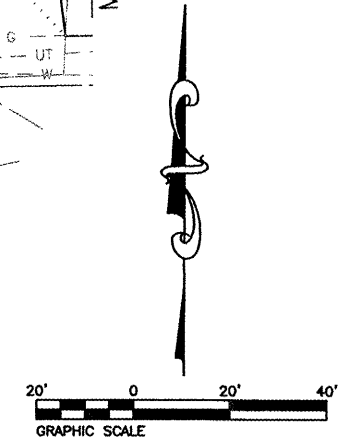
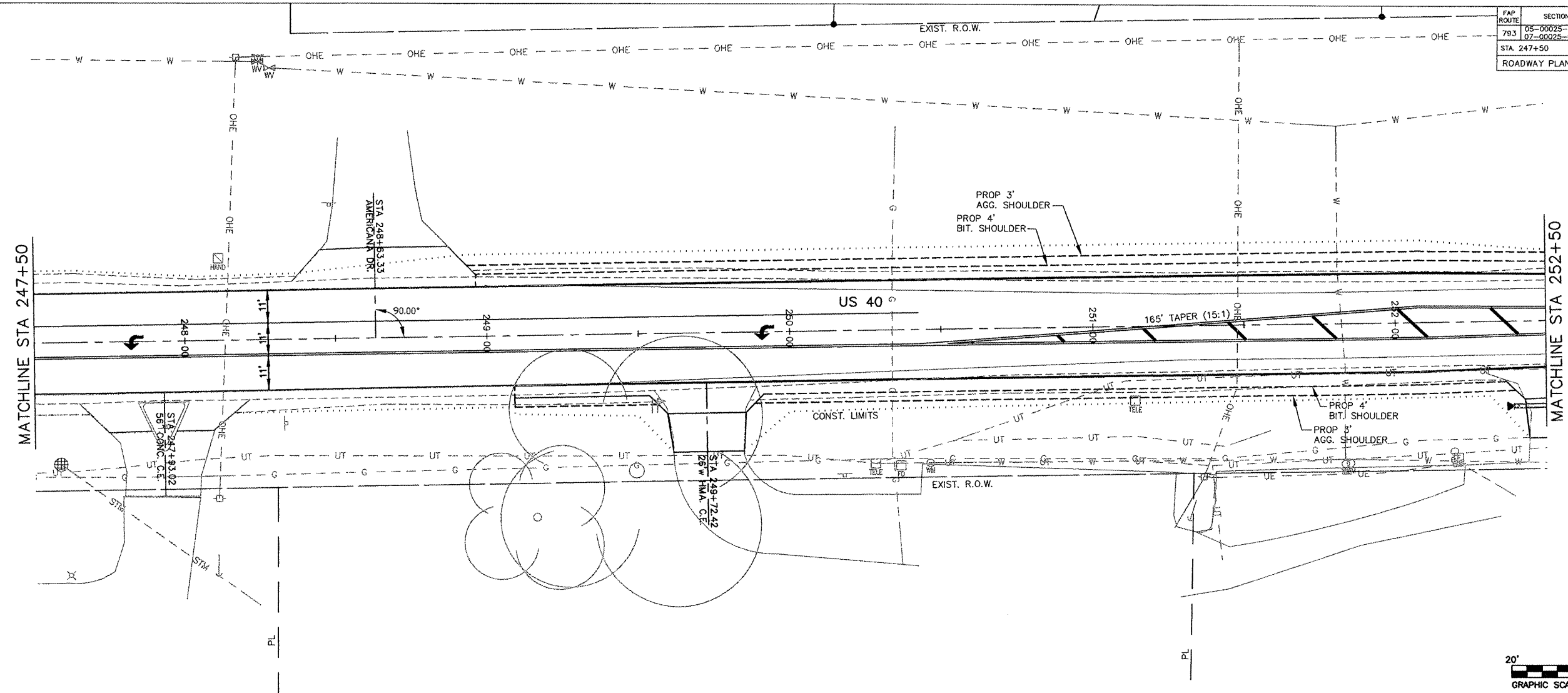
CONTRACT NO. 97352



FAP ROUTE	SECTION	COUNTY	TOTAL SHEETS	SHEET NO.
79.3	05-00025-00-1L 07-00025-01-WR	MADISON	127	22
STA. 247+50		TO STA. 252+50		

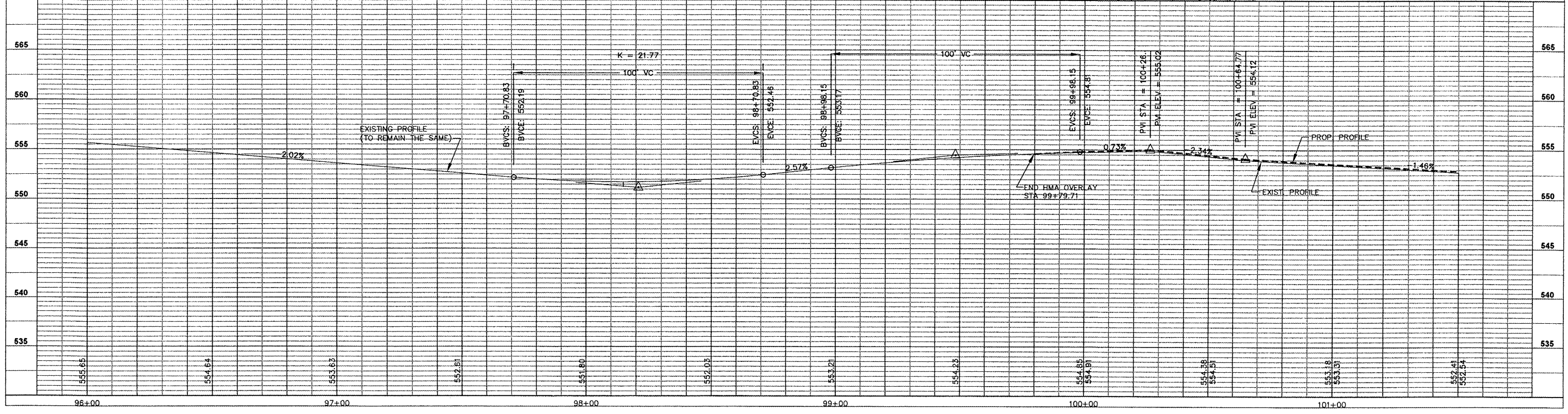
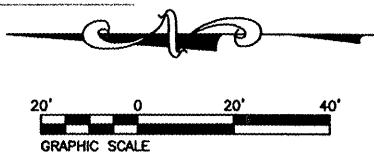
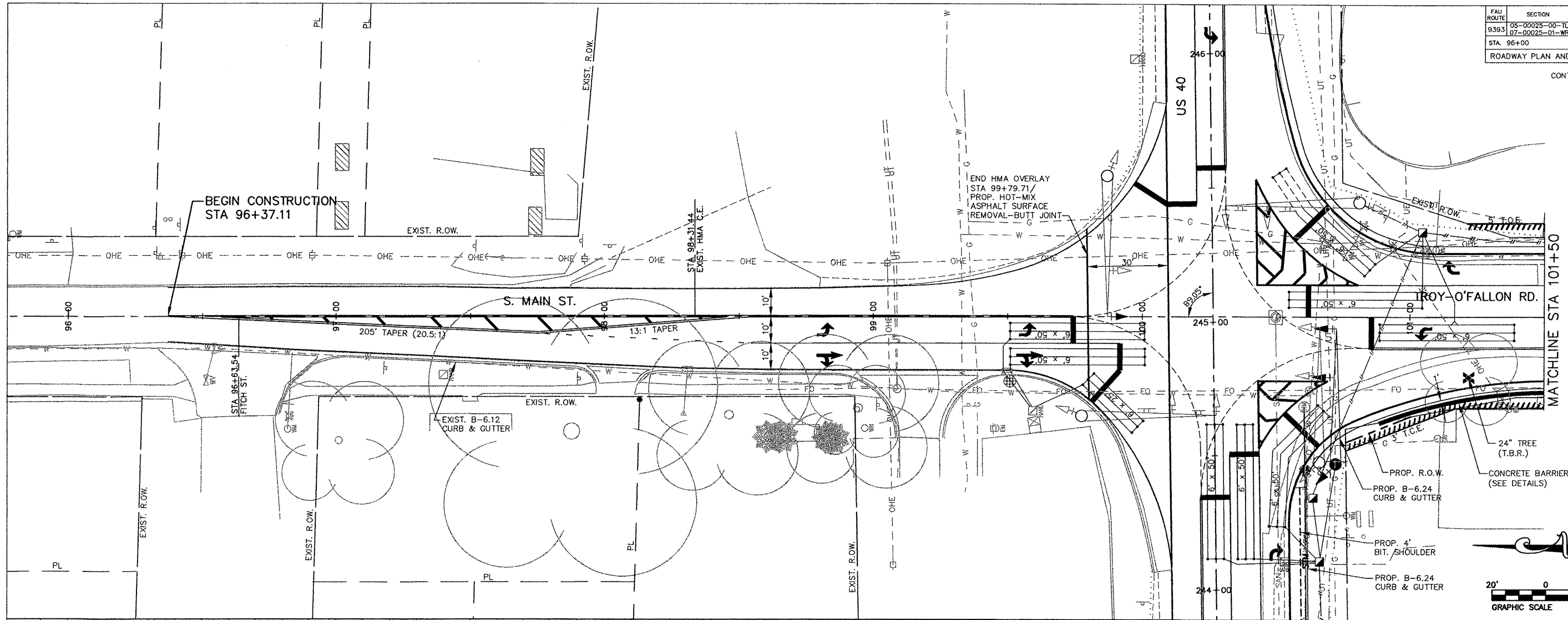
ROADWAY PLAN AND PROFILE

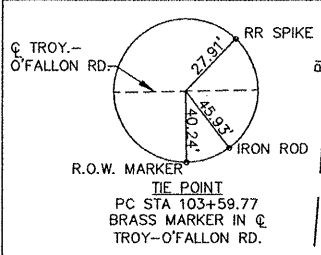
CONTRACT NO. 97352



FAU ROUTE	SECTION	COUNTY	TOTAL SHEETS	SHEET NO.
9393	05-00025-00-IL 07-00025-01-WR	MADISON	127	24
STA. 96+00		TO STA. 101+50		

ROADWAY PLAN AND PROFILE
CONTRACT NO. 97352



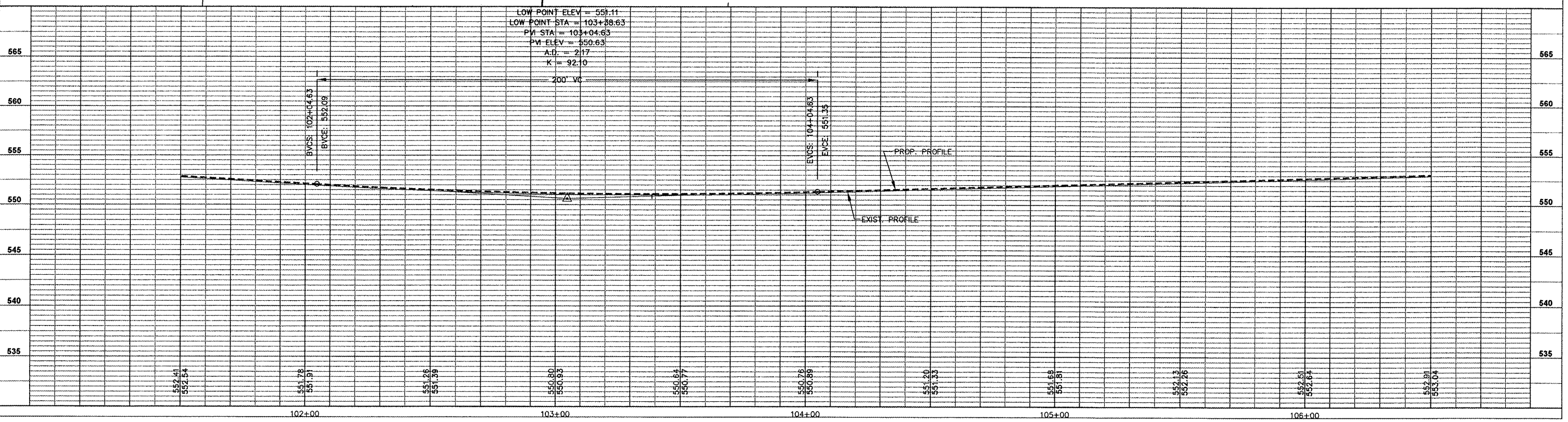
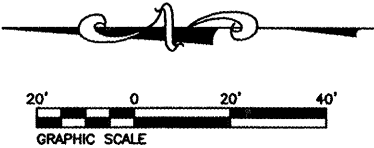
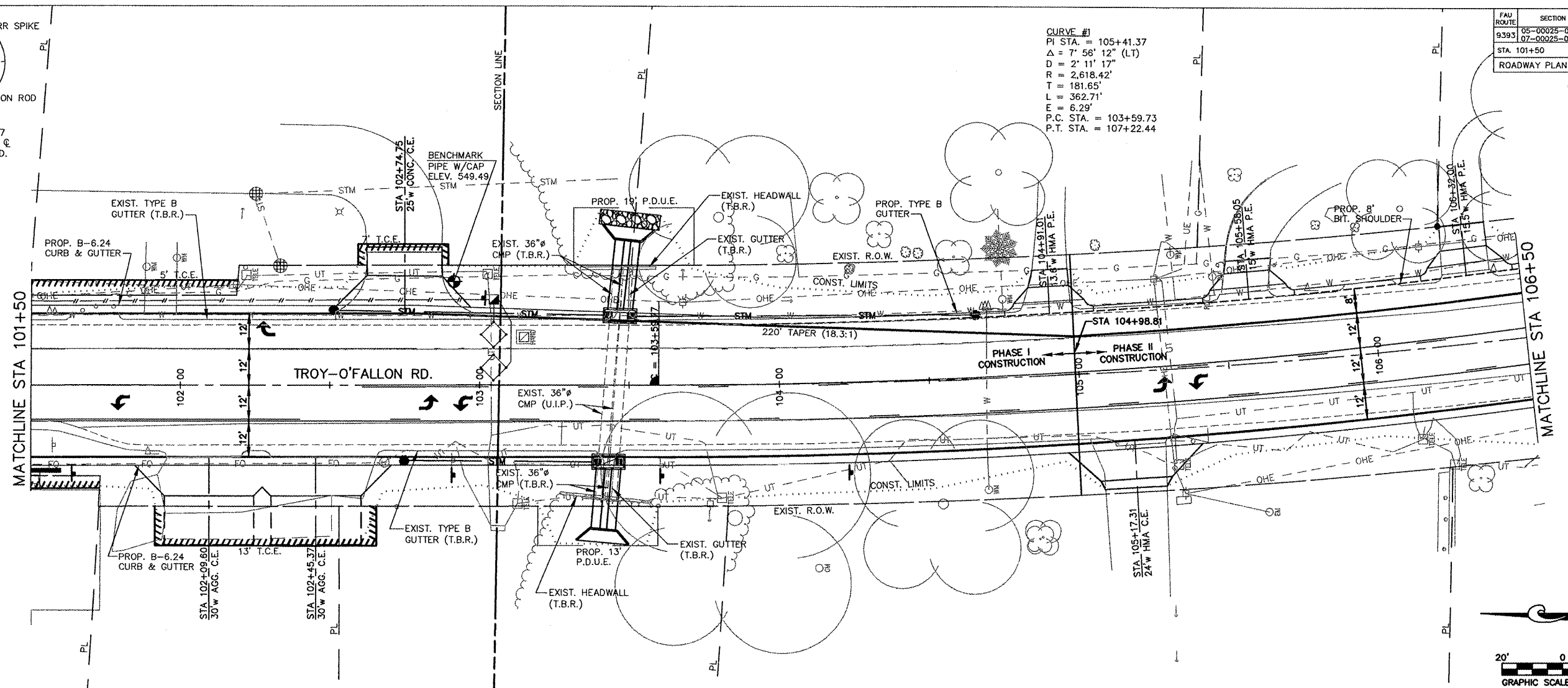


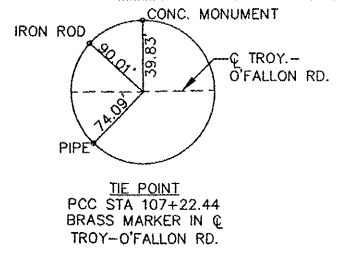
FAU ROUTE	SECTION	COUNTY	TOTAL SHEETS	SHEET NO.
9393	05-00025-00-TL	MADISON	127	25
STA. 101+50		TO STA. 106+50		

ROADWAY PLAN AND PROFILE

CONTRACT NO. 97352

CURVE #1
 PI STA. = 105+41.37
 $\Delta = 7' 58' 12''$ (LT)
 $D = 2' 11' 17''$
 $R = 2,618.42'$
 $T = 181.65'$
 $L = 362.71'$
 $E = 6.29'$
 P.C. STA. = 103+59.73
 P.T. STA. = 107+22.44

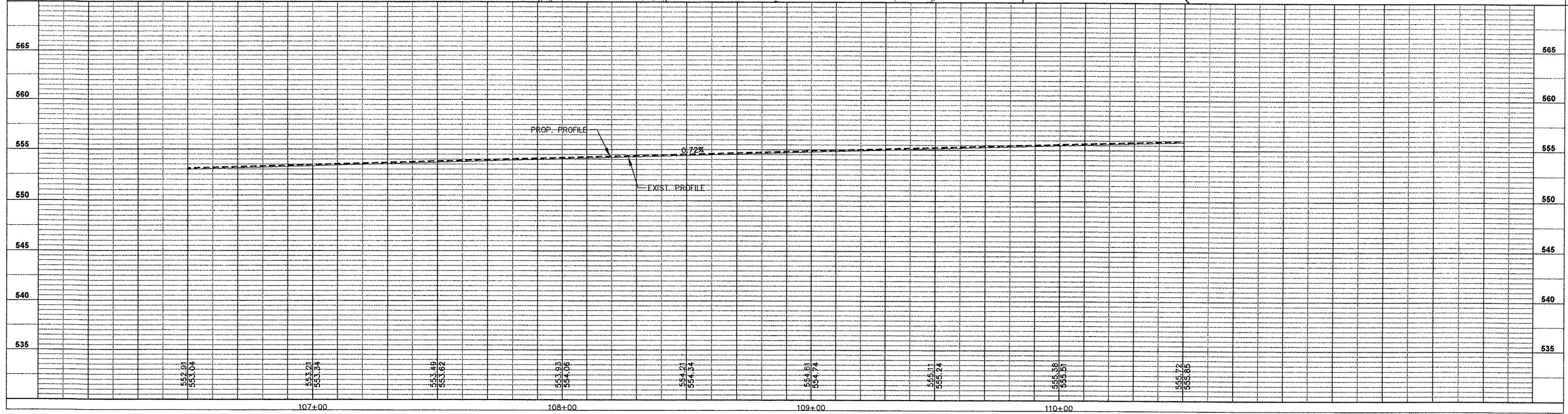
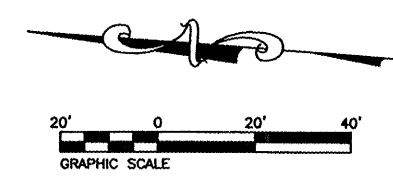
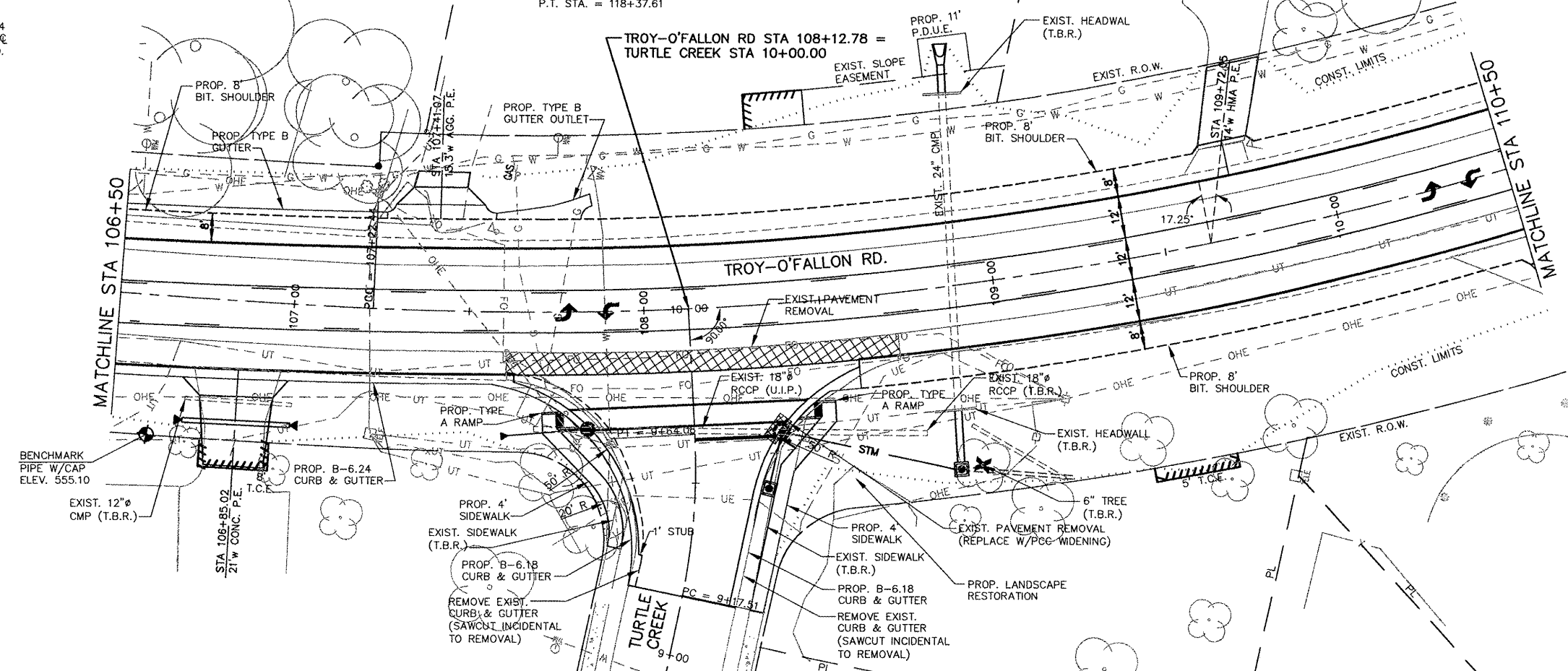




CURVE #2
 PI STA. = 113+53.35
 $\Delta = 66^\circ 52' 55''$ (LT)
 $D = 5^\circ 59' 51''$
 $R = 955.34'$
 $T = 630.91'$
 $L = 1,115.17'$
 $E = 189.53'$
 P.C. STA. = 107+22.44
 P.T. STA. = 118+37.61

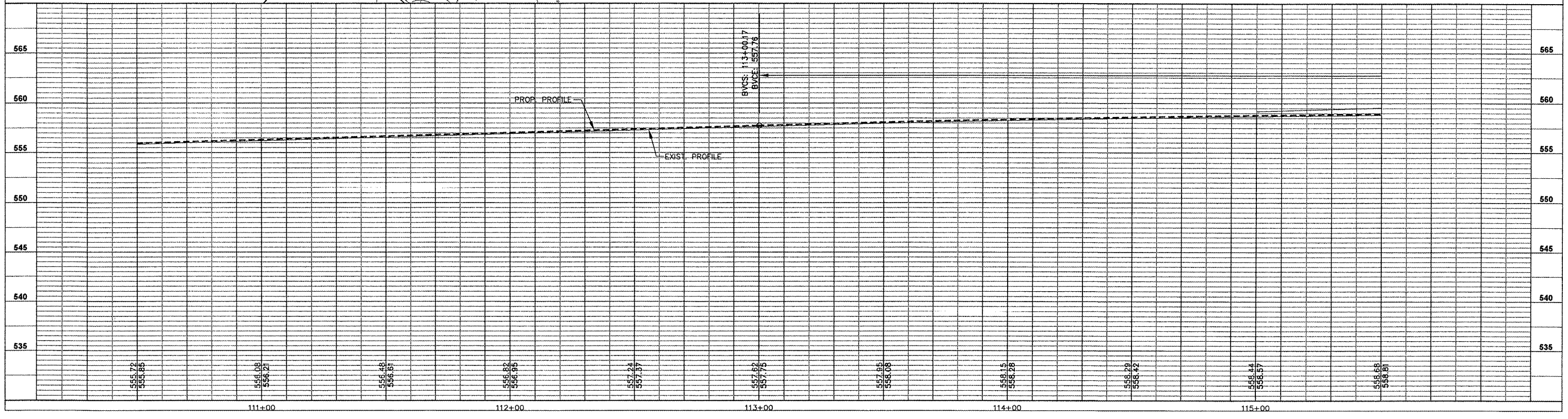
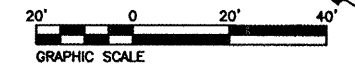
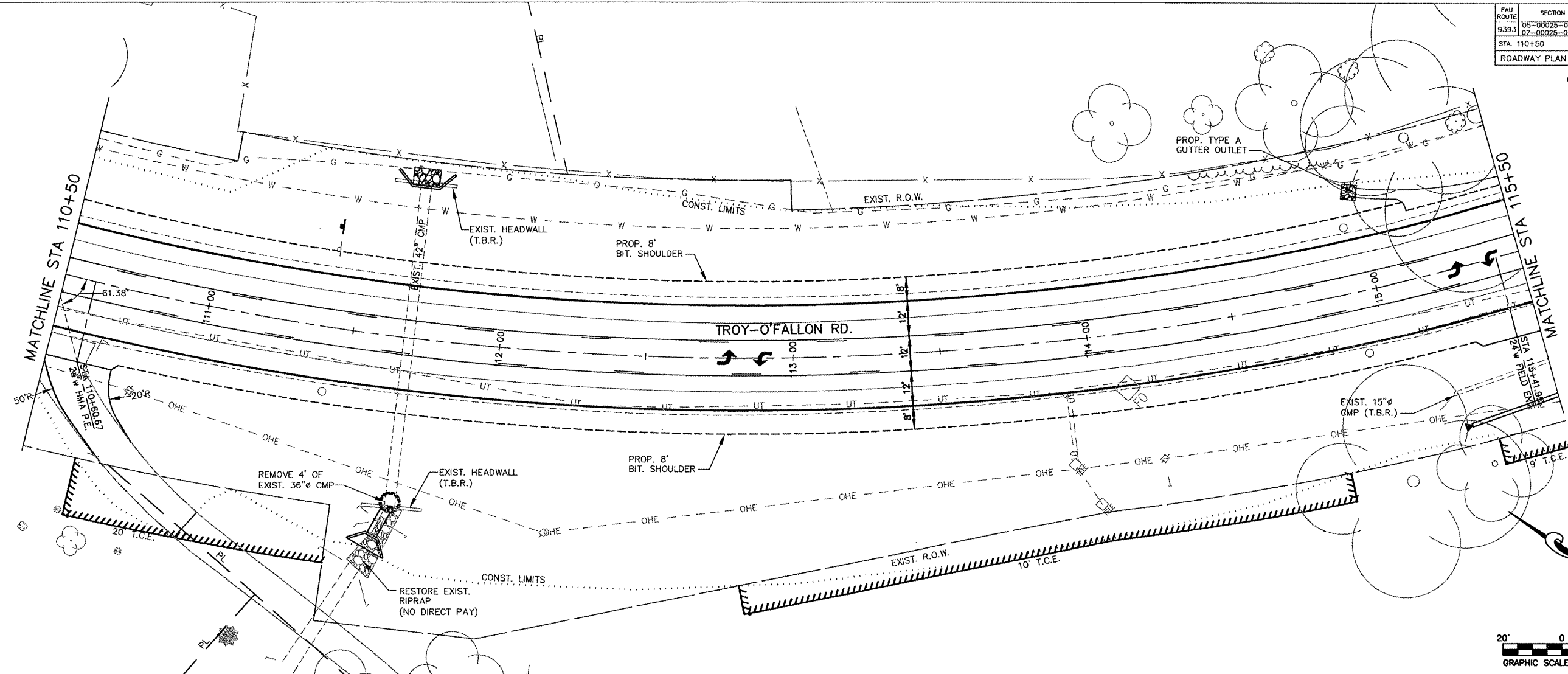
FAU ROUTE	SECTION	COUNTY	TOTAL SHEETS	SHEET NO.
9393	05-00025-00-1L	MADISON	127	26
STA. 106+50		TO STA. 110+50		
ROADWAY PLAN AND PROFILE				

CONTRACT NO. 97352



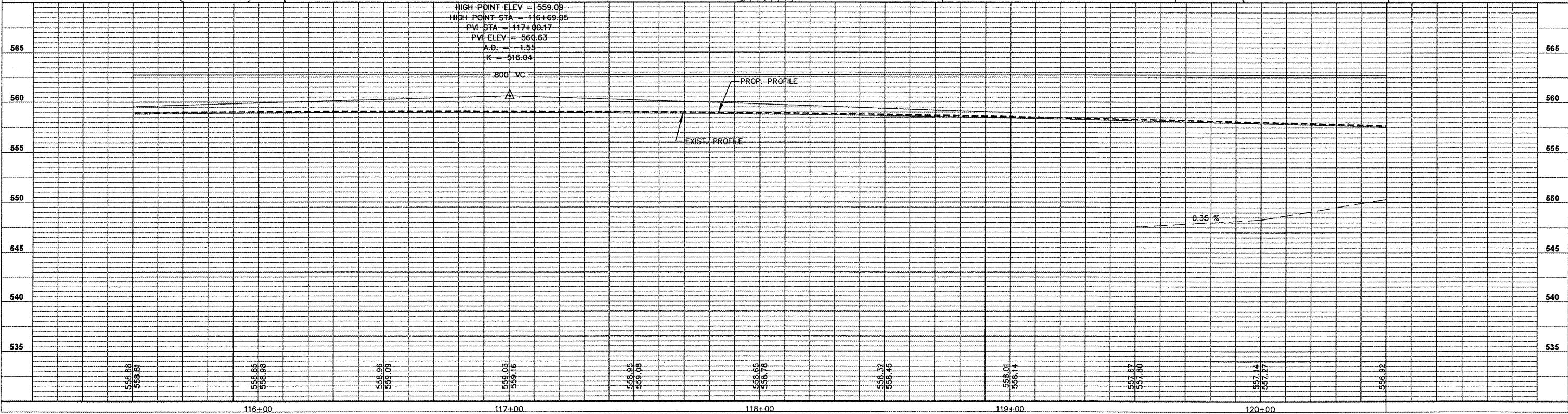
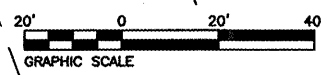
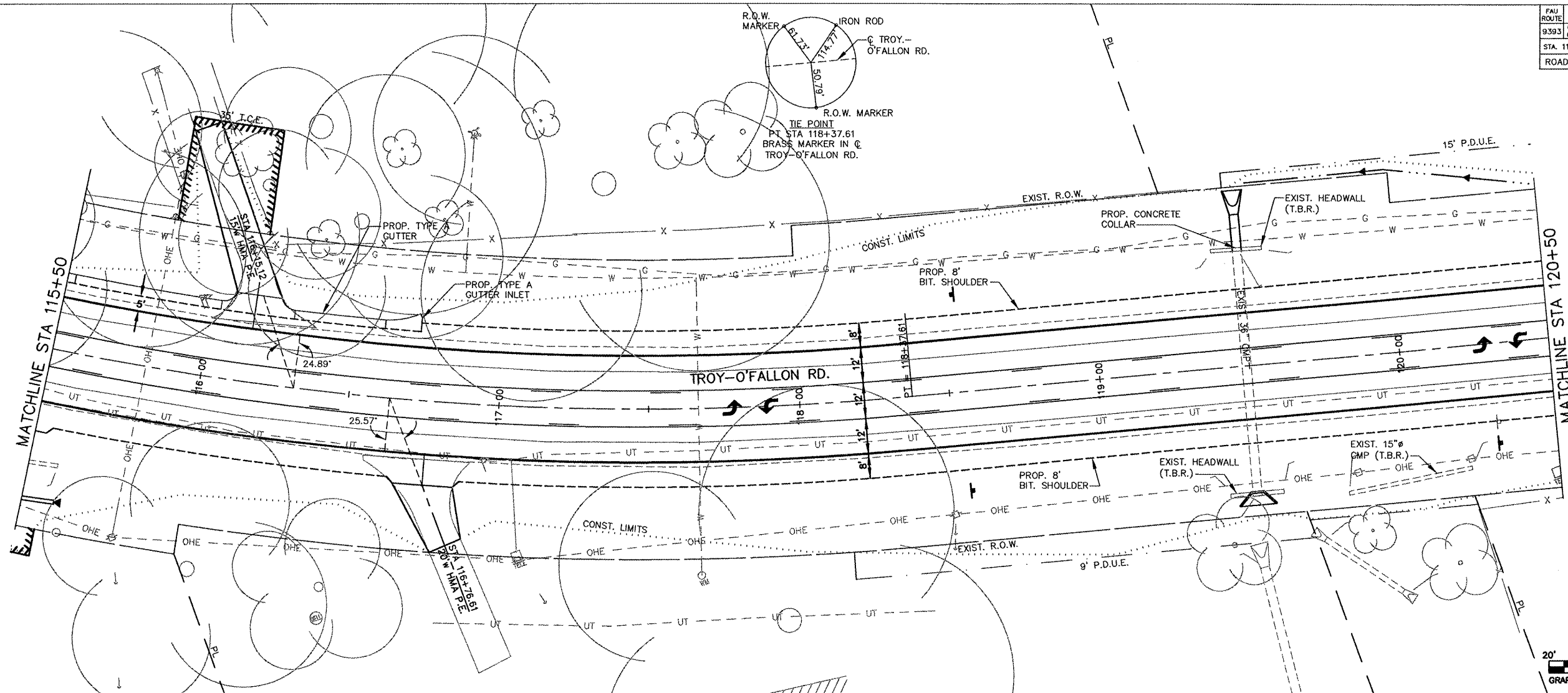
FAU ROUTE	SECTION	COUNTY	TOTAL SHEETS	SHEET NO.
9393	05-00025-00-TL 07-00025-01-WR	MADISON	127	27
STA. 110+50		TO STA. 115+50		
ROADWAY PLAN AND PROFILE				

CONTRACT NO. 97352



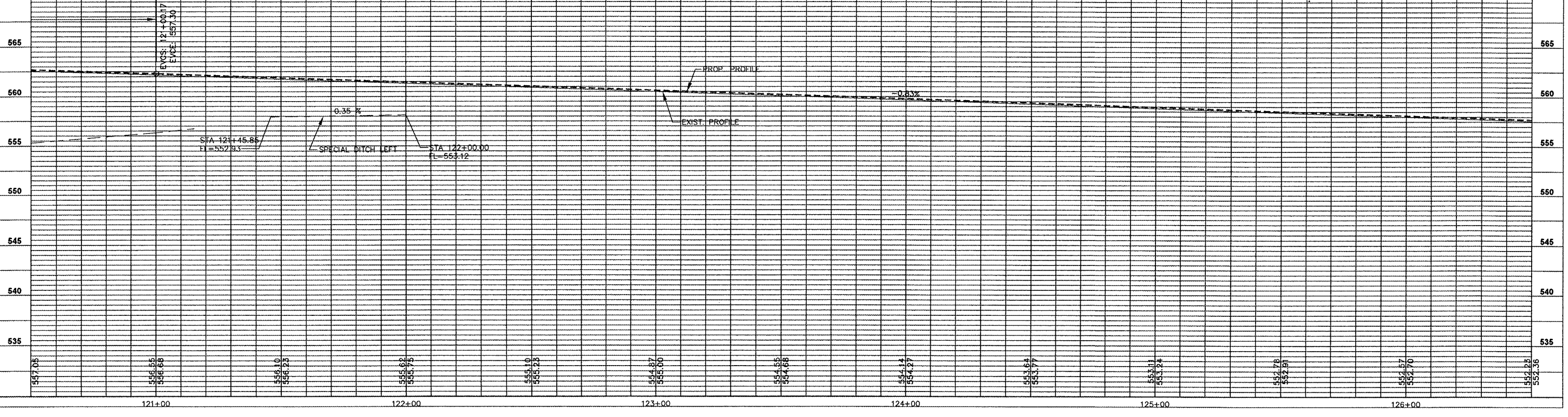
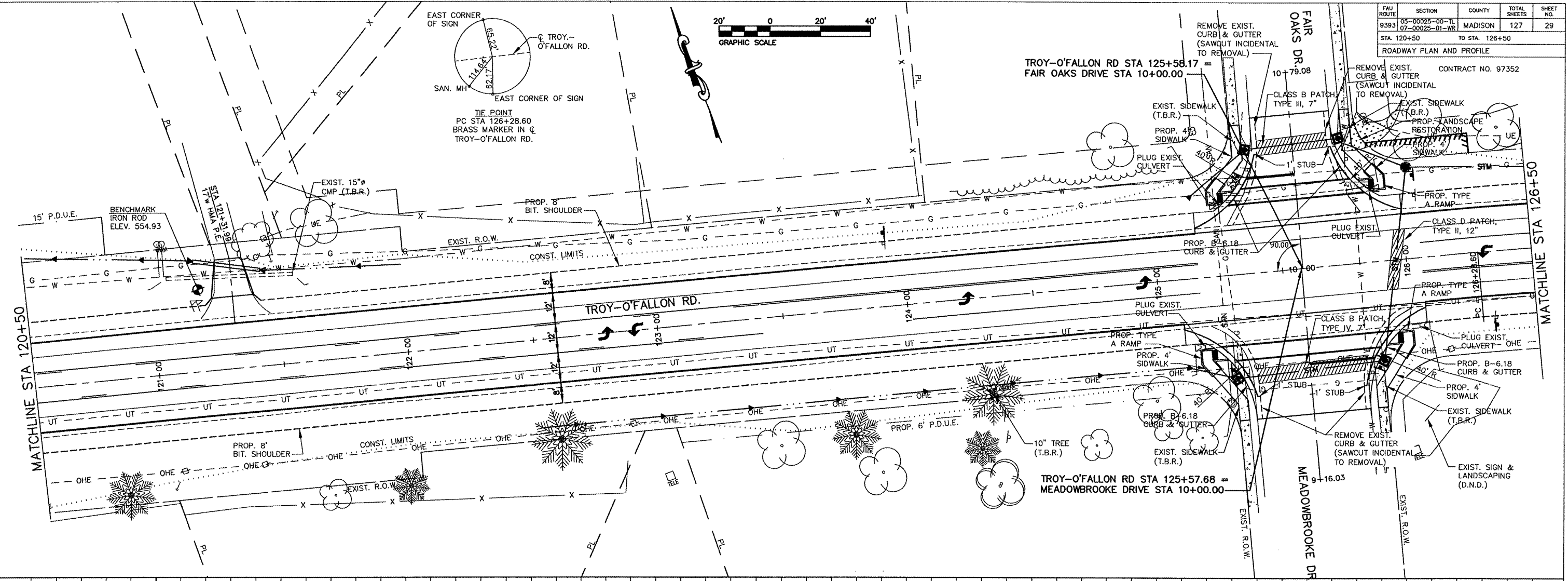
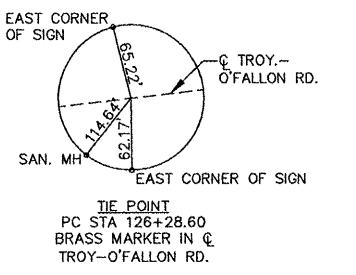
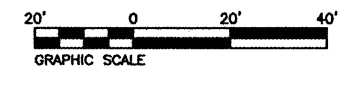
FAU ROUTE	SECTION	COUNTY	TOTAL SHEETS	SHEET NO.
9393	05-00025-00-TL 07-00025-01-WR	MADISON	127	28
STA. 115+50		TO STA. 120+50		
ROADWAY PLAN AND PROFILE				

CONTRACT NO. 97352



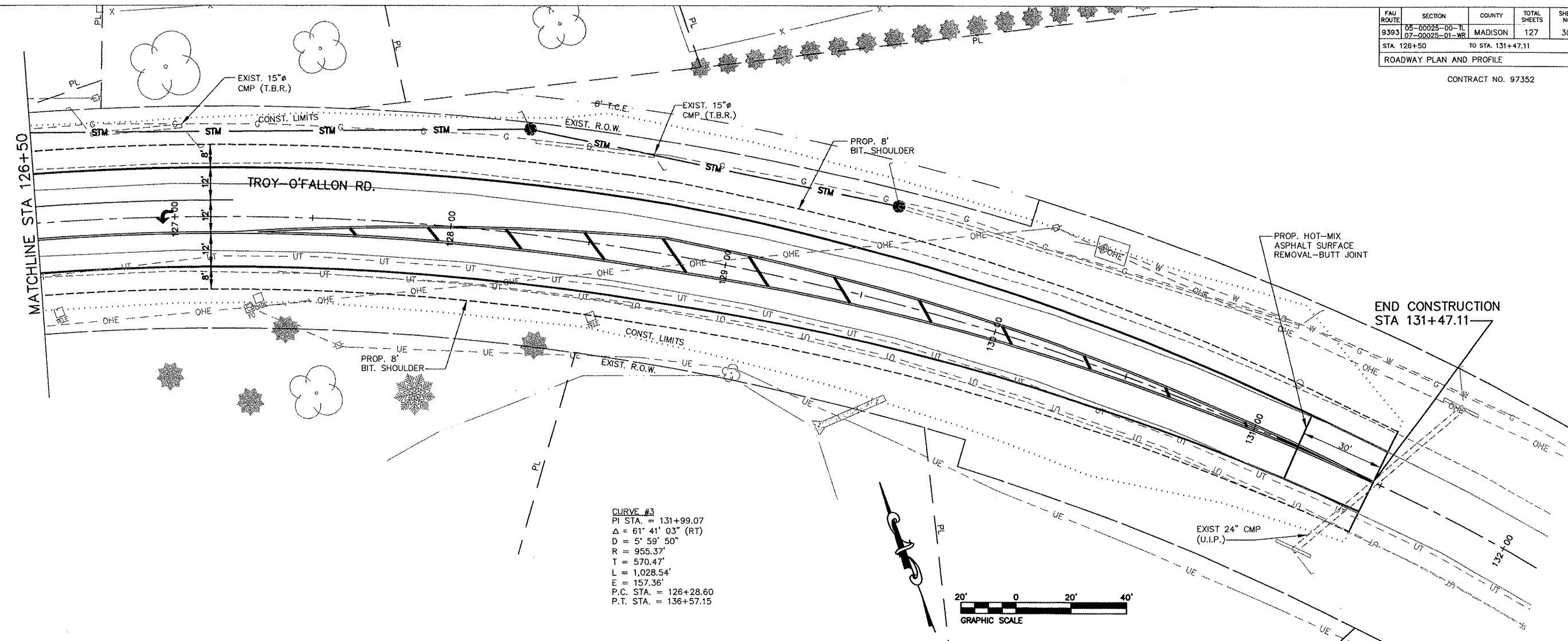
FAU ROUTE NO.	SECTION	COUNTY	TOTAL SHEETS	SHEET NO.
9393	05-00025-00-TL 07-00025-01-WR	MADISON	127	29
STA 120+50		TO STA. 126+50		

ROADWAY PLAN AND PROFILE
CONTRACT NO. 97352

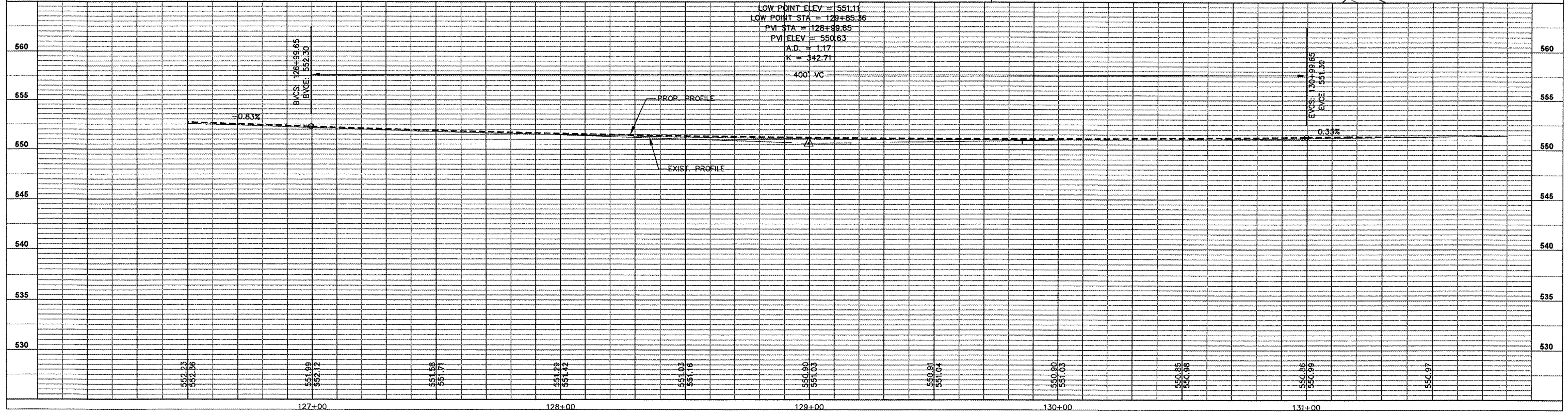


FAU ROUTE	SECTION	COUNTY	TOTAL SHEETS	SHEET NO.
9393	05-00025-00-FL	MADISON	127	30
STA. 126+50		TO STA. 131+47.11		
ROADWAY PLAN AND PROFILE				

CONTRACT NO. 97352



CURVE #3
 P.I. STA. = 131+99.07
 Δ = 61° 41' 03" (RT)
 D = 5' 59' 50"
 R = 955.37'
 T = 570.47'
 L = 1,028.54'
 E = 157.36'
 P.C. STA. = 126+28.60
 P.T. STA. = 136+57.15



552.23
552.56

127+00

551.58
551.71

128+00

551.03
551.16

129+00

550.91
551.04

130+00

550.85
550.98

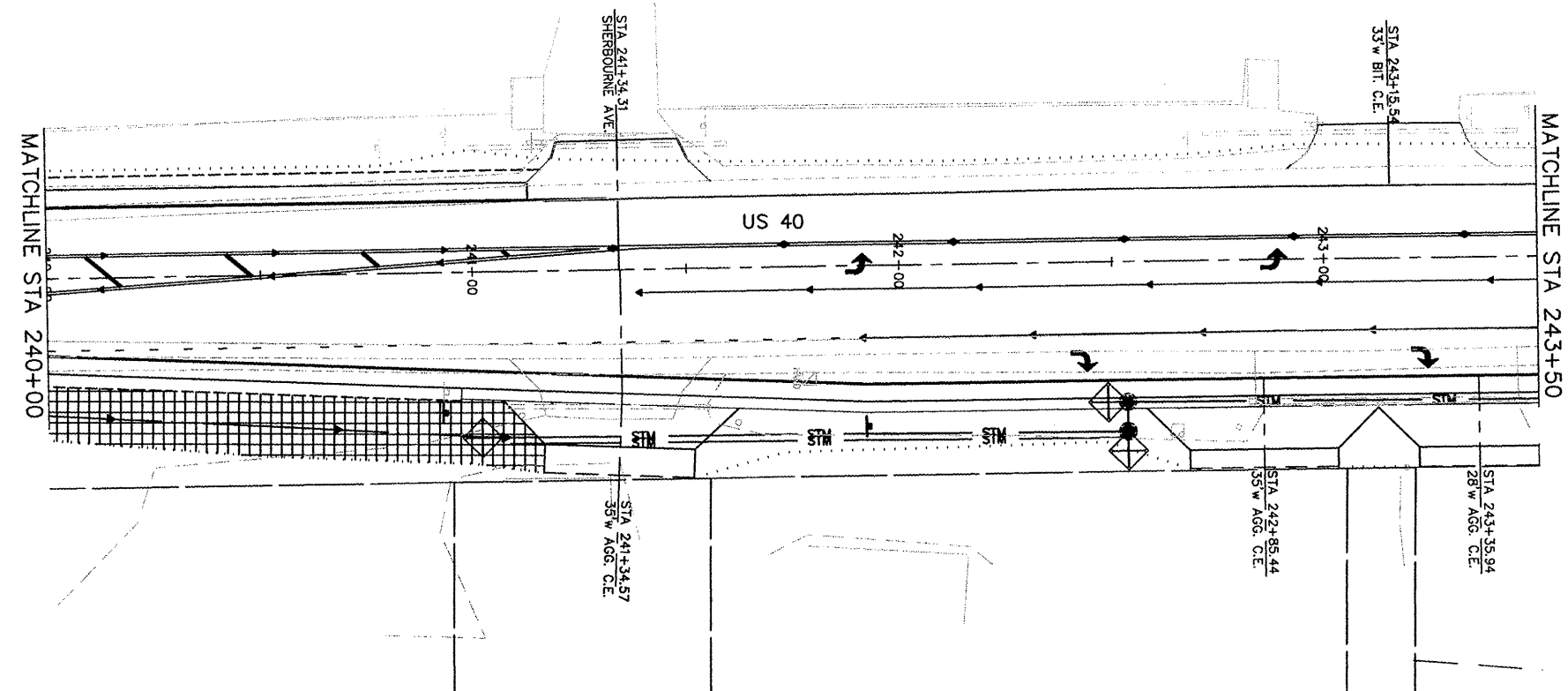
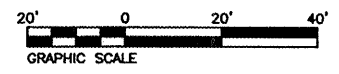
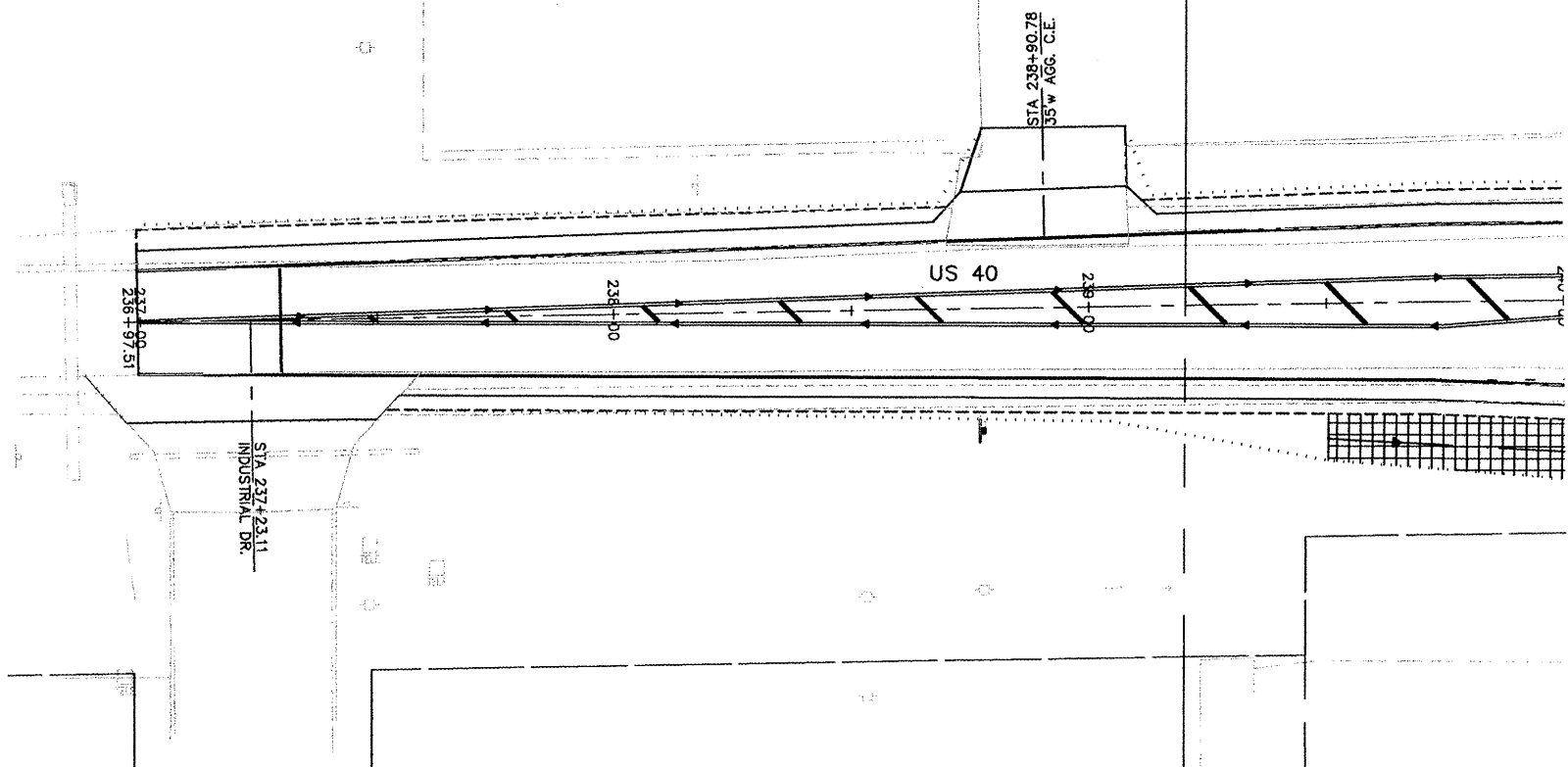
131+00

550.86
550.99

550.97

FAP ROUTE	SECTION	COUNTY	TOTAL SHEETS	SHEET NO
793	05-00025-00-TL 07-00025-01-WR	MADISON	127	31
STA. 236+99.46		TO STA. 243+50		
EROSION CONTROL PLAN				

CONTRACT NO. 97352

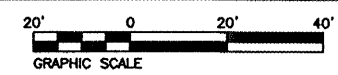
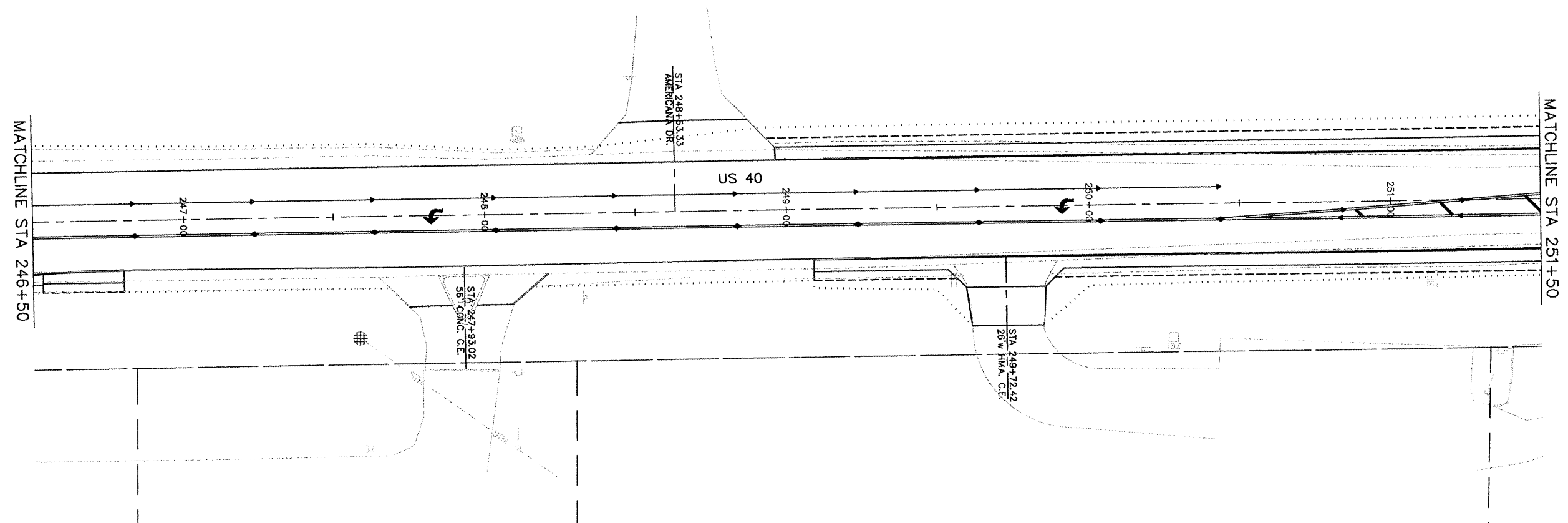


TEMPORARY EROSION CONTROL ITEMS

- ① TEMPORARY DITCH CHECK
- ② INLET & PIPE PROTECTION
- ③ PERIMETER EROSION BARRIER
- ④ EROSION CONTROL BLANKET
- ⑤ RR4 RIPRAP

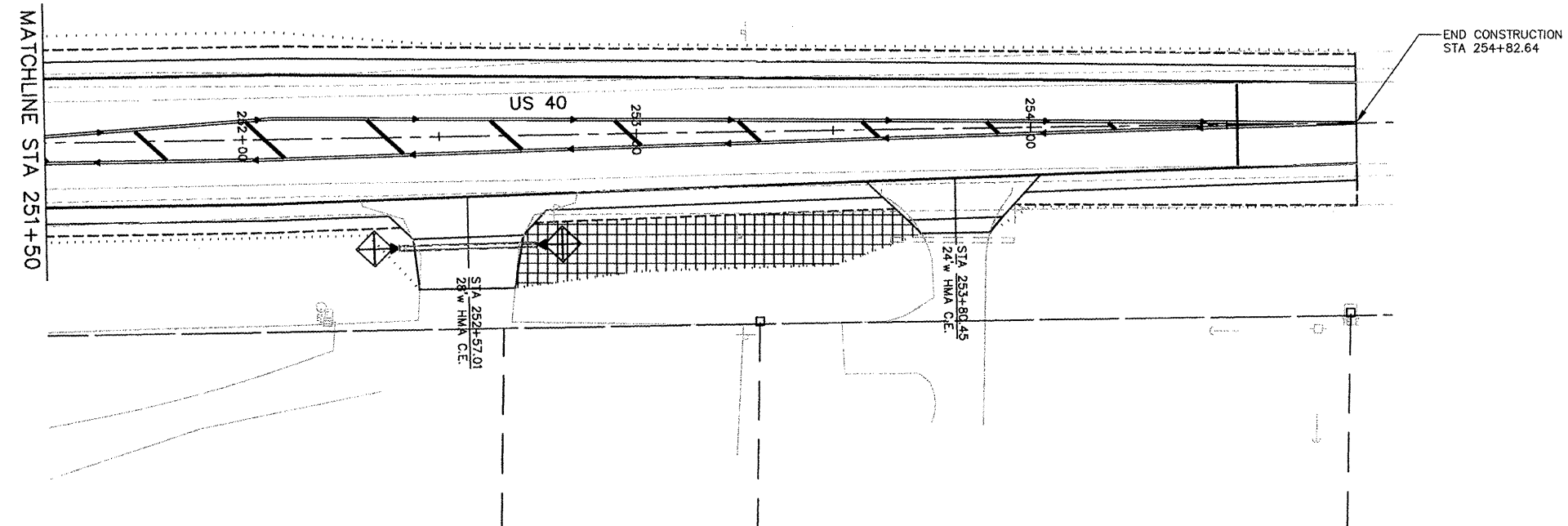
MAP SHEET	SECTION	COUNTY	TOTAL SHEETS	SHEET NO.
793	05-00025-00-TL 07-00025-01-WR	MADISON	127	32
STA. 246+50		TO STA. 254+82.64		

EROSION CONTROL PLAN
CONTRACT NO. 97352



TEMPORARY EROSION CONTROL ITEMS

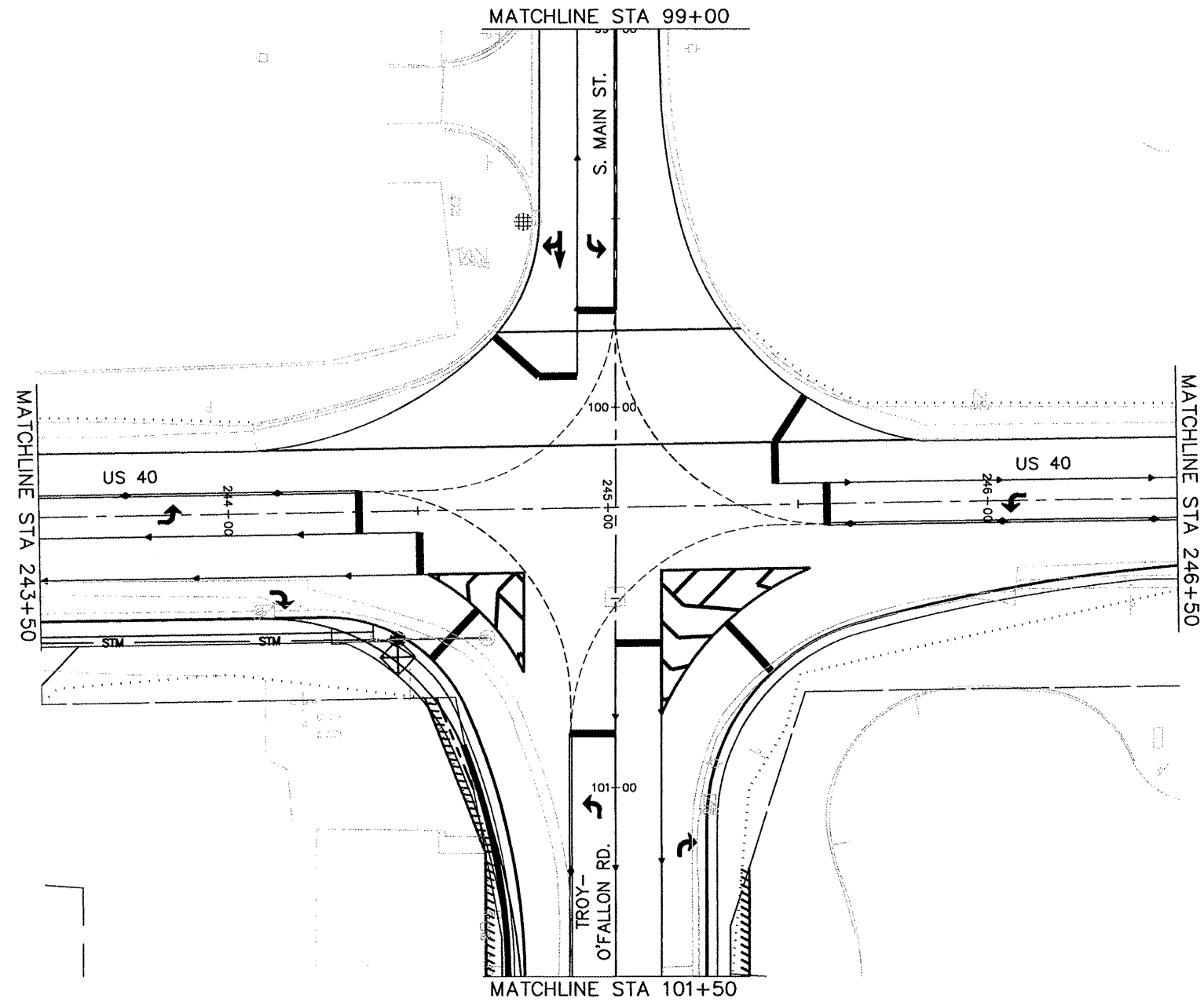
- ① TEMPORARY DITCH CHECK
- ② INLET & PIPE PROTECTION
- ③ PERIMETER EROSION BARRIER
- ④ EROSION CONTROL BLANKET
- ⑤ RR4 RIPRAP



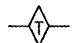


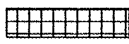
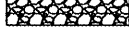
F&P NO.	SECTION	COUNTY	TOTAL SHEETS	SHEET NO.
793	05-00025-00-TL 07-00025-01-WR	MADISON	127	33
STA. 243+50/99+00		TO STA. 246+50/101+50		

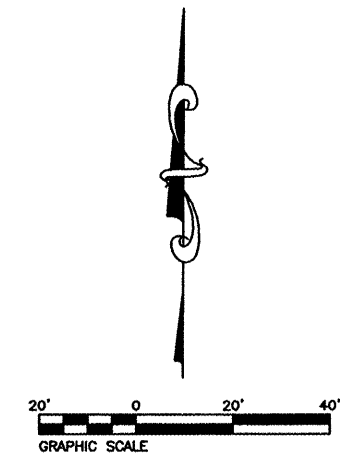
EROSION CONTROL PLAN

CONTRACT NO. 97352



TEMPORARY EROSION CONTROL ITEMS



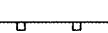
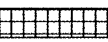
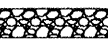
- ① TEMPORARY DITCH CHECK 
- ② INLET & PIPE PROTECTION 
- ③ PERIMETER EROSION BARRIER 
- ④ EROSION CONTROL BLANKET 
- ⑤ RR4 RIPRAP 

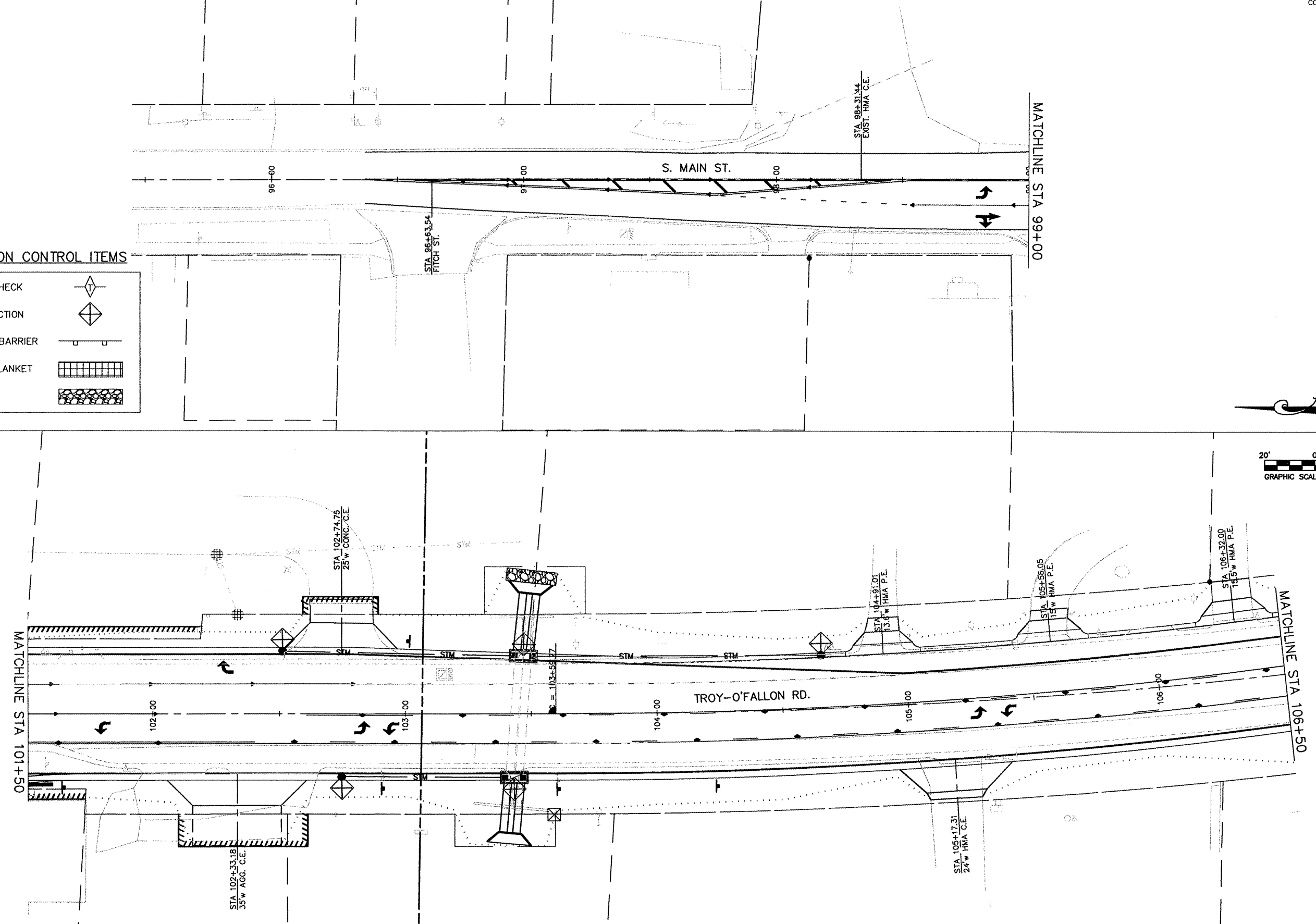


FAI ROUTE	SECTION	COUNTY	TOTAL SHEETS	SHEET NO.
939.3	05-00025-00-TL 07-00025-01-MR	MADISON	127	34
STA. 96+37.11		TO STA. 106+50		
EROSION CONTROL PLAN				

CONTRACT NO. 97352

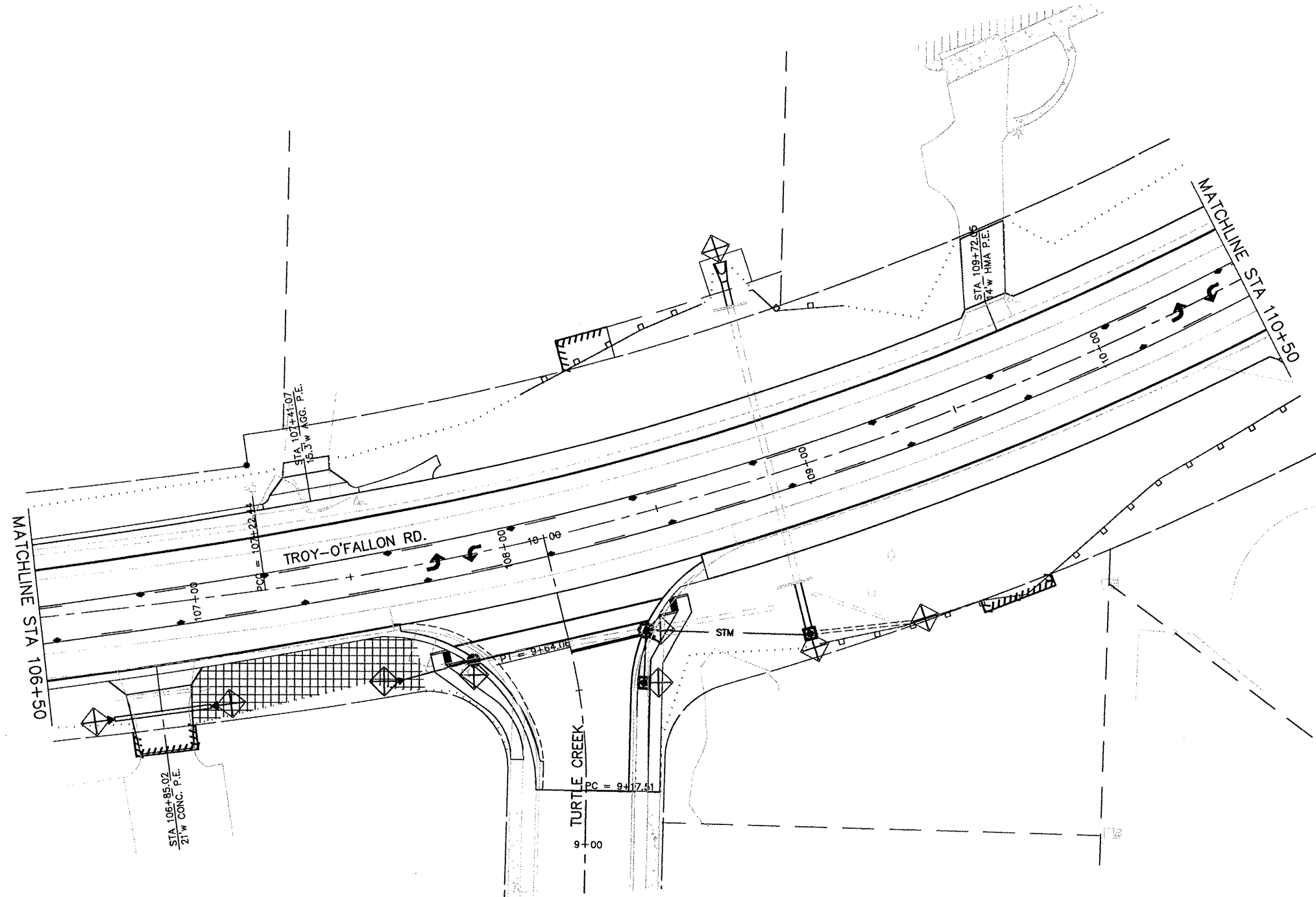
TEMPORARY EROSION CONTROL ITEMS

- ① TEMPORARY DITCH CHECK 
- ② INLET & PIPE PROTECTION 
- ③ PERIMETER EROSION BARRIER 
- ④ EROSION CONTROL BLANKET 
- ⑤ RR4 RIPRAP 



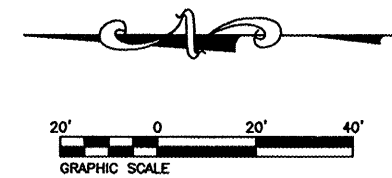
PAV ROUTE	SECTION	COUNTY	TOTAL SHEETS	SHEET NO.
9393	05-00025-00-TL 07-00025-01-WR	MADISON	127	35
STA. 106+50		TO STA. 110+50		
EROSION CONTROL PLAN				

CONTRACT NO. 97352



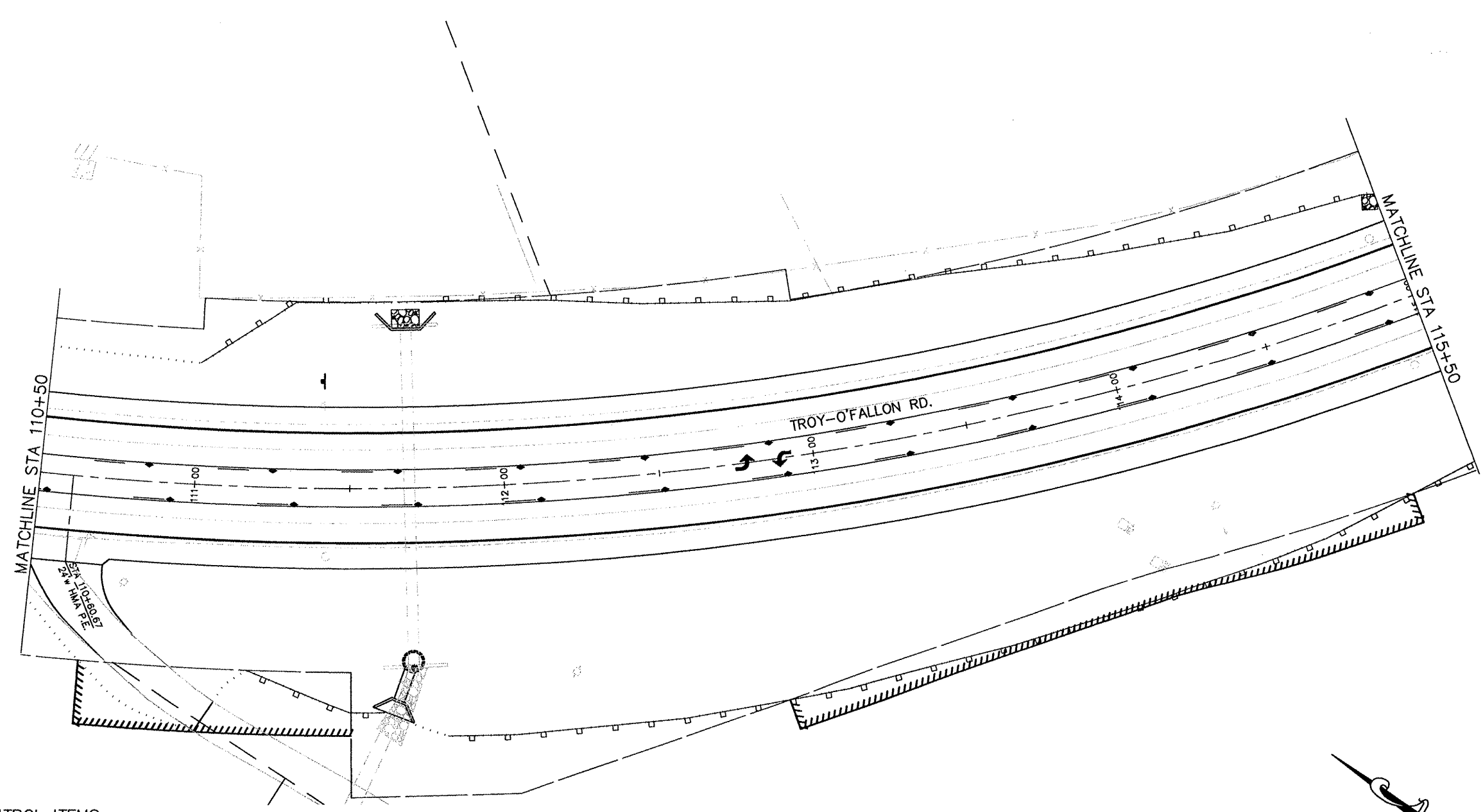
TEMPORARY EROSION CONTROL ITEMS

- | | |
|-----------------------------|--|
| ① TEMPORARY DITCH CHECK | |
| ② INLET & PIPE PROTECTION | |
| ③ PERIMETER EROSION BARRIER | |
| ④ EROSION CONTROL BLANKET | |
| ⑤ RR4 RIPRAP | |

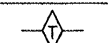


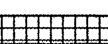



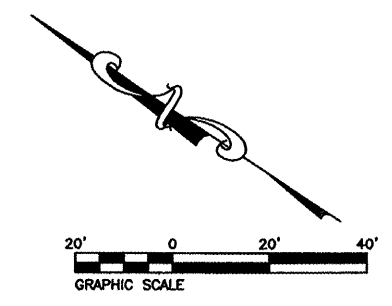
FAU ROUTE	SECTION	COUNTY	TOTAL SHEETS	SHEET NO
9393	05-00025-00-TL 07-00025-01-MR	MADISON	127	36
STA. 110+50		TO STA. 115+50		
EROSION CONTROL PLAN				

CONTRACT NO. 97352



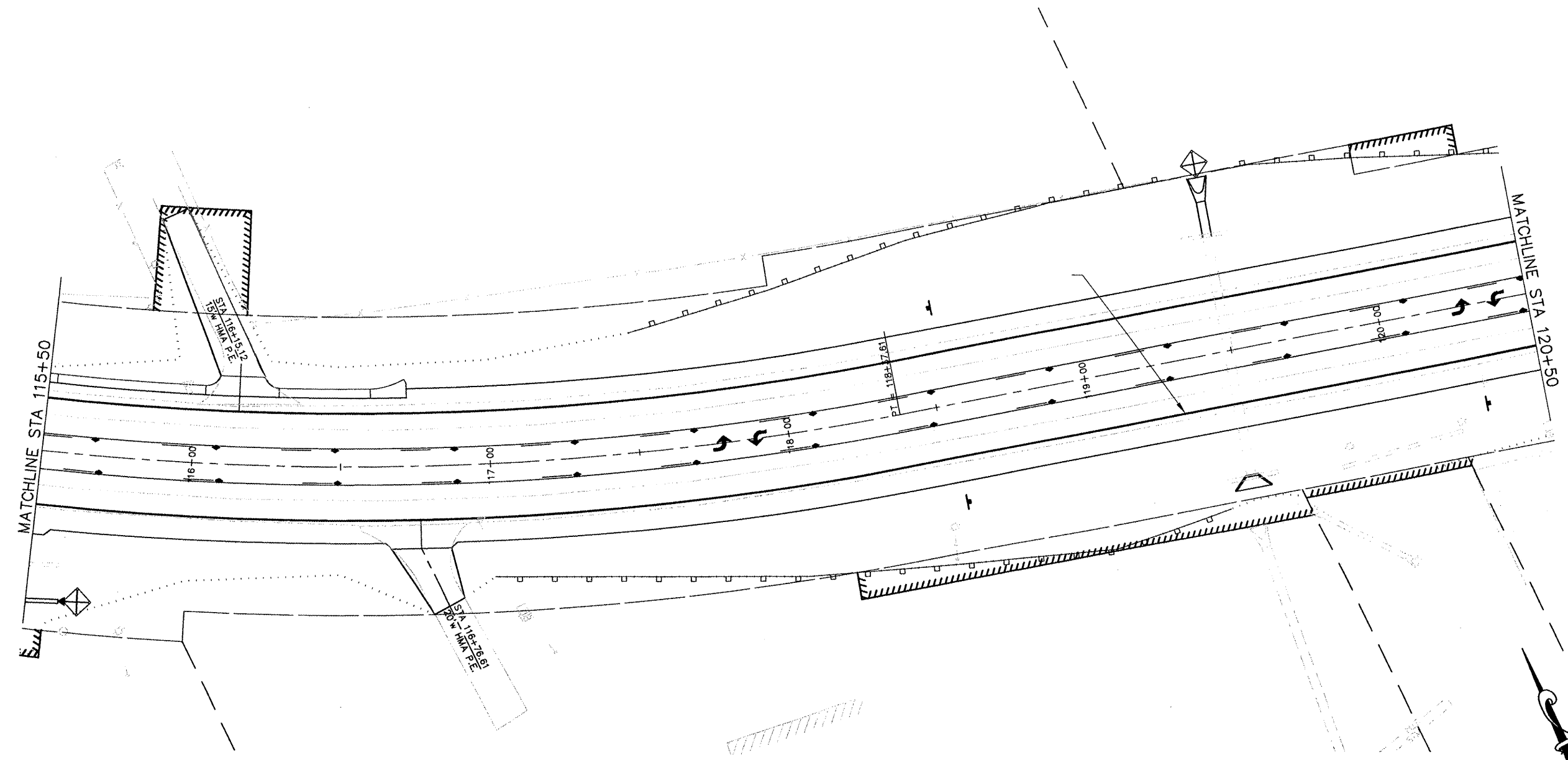
TEMPORARY EROSION CONTROL ITEMS

- ① TEMPORARY DITCH CHECK 
- ② INLET & PIPE PROTECTION 
- ③ PERIMETER EROSION BARRIER 
- ④ EROSION CONTROL BLANKET 
- ⑤ RR4 RIPRAP 



FILE ROUTE	SECTION	COUNTY	TOTAL SHEETS	SHEET NO
9393	05-00025-00-TL 07-00025-01-WR	MADISON	127	37
STA. 115+50		TO STA. 120+50		
EROSION CONTROL PLAN				

CONTRACT NO. 97352



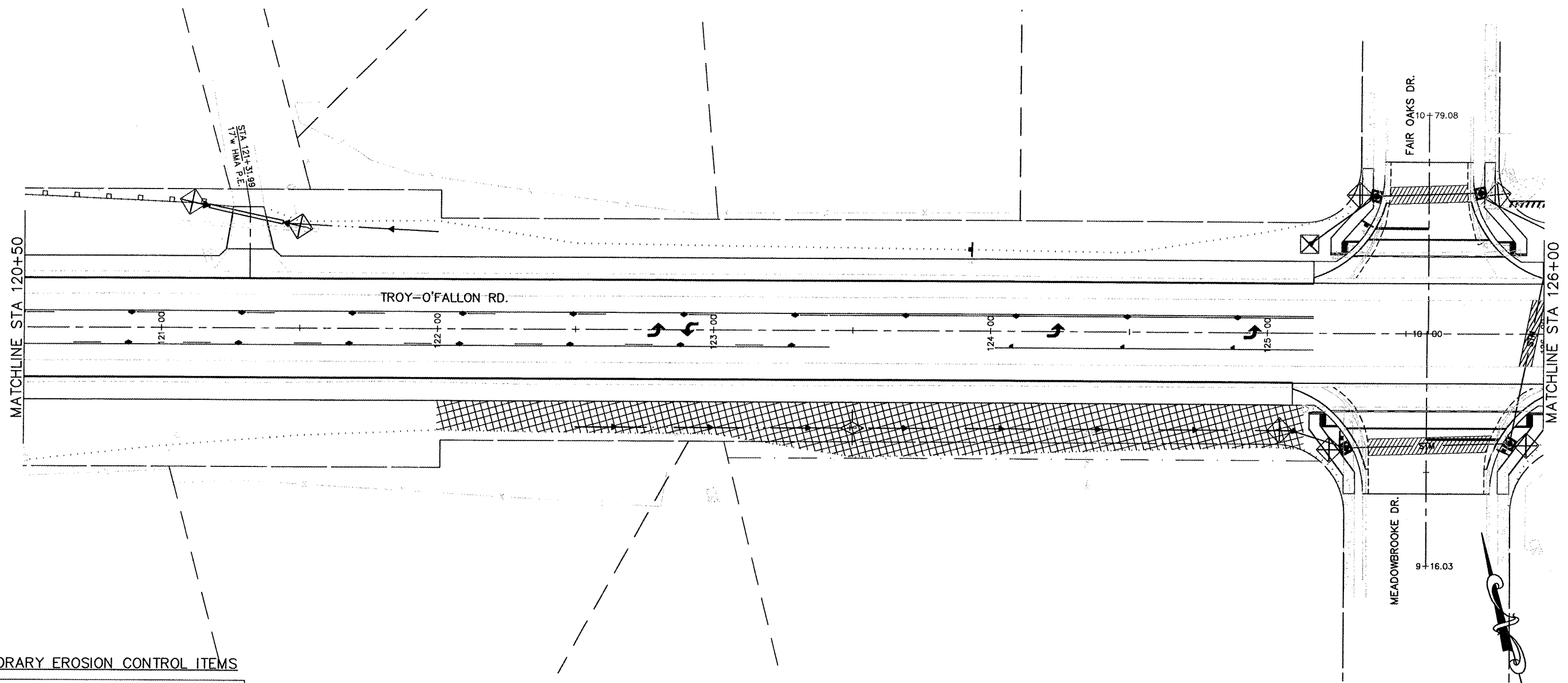
TEMPORARY EROSION CONTROL ITEMS

- ① TEMPORARY DITCH CHECK
- ② INLET & PIPE PROTECTION
- ③ PERIMETER EROSION BARRIER
- ④ EROSION CONTROL BLANKET
- ⑤ RR4 RIPRAP

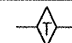

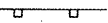
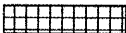



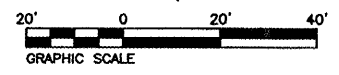
FAH ROUTE	SECTION	COUNTY	TOTAL SHEETS	SHEET NO.
9393	05-00025-00-TL 07-00025-01-WR	MADISON	127	38
STA. 120+50		TO STA. 126+00		
EROSION CONTROL PLAN				

CONTRACT NO. 97352



TEMPORARY EROSION CONTROL ITEMS

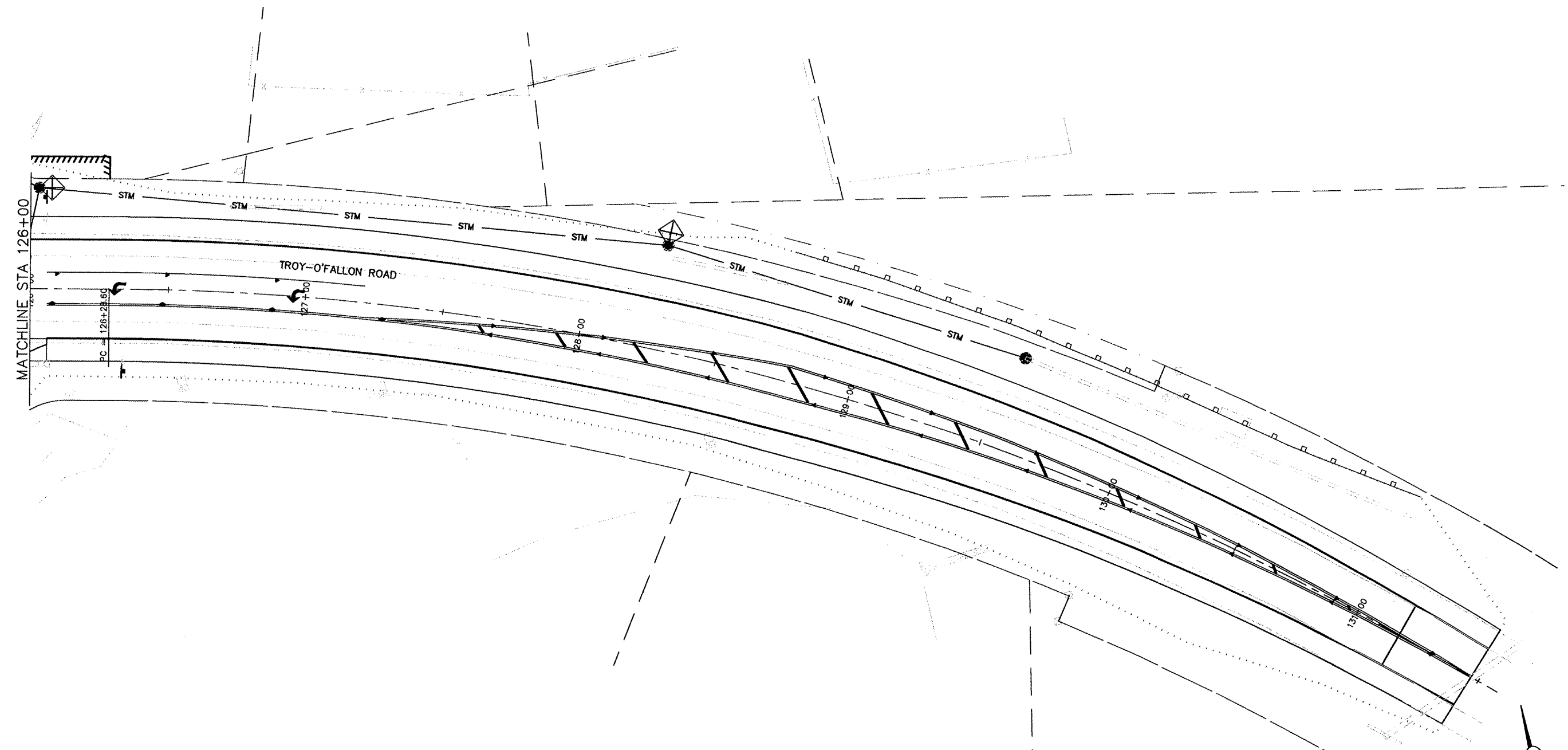
- ① TEMPORARY DITCH CHECK 
- ② INLET & PIPE PROTECTION 
- ③ PERIMETER EROSION BARRIER 
- ④ EROSION CONTROL BLANKET 
- ⑤ RR4 RIPRAP 





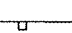
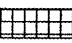

FAU ROUTE	SECTION	COUNTY	TOTAL SHEETS	SHEET NO
9393	05-00025-00-TL 07-00025-01-WR	MADISON	127	39
STA. 126+00		TO STA. 131+47.11		

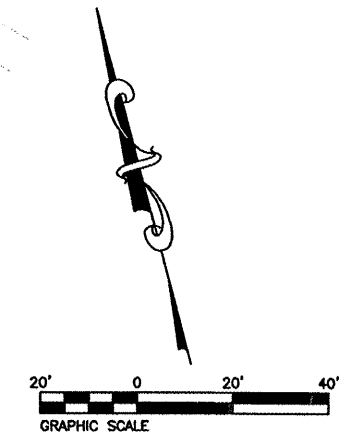
EROSION CONTROL PLAN

CONTRACT NO. 97352



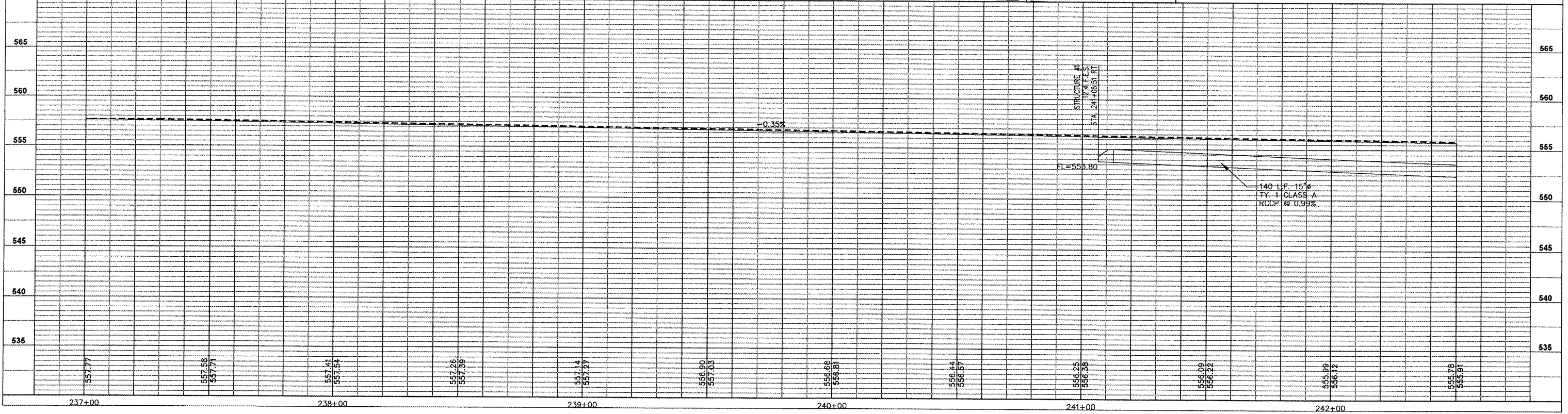
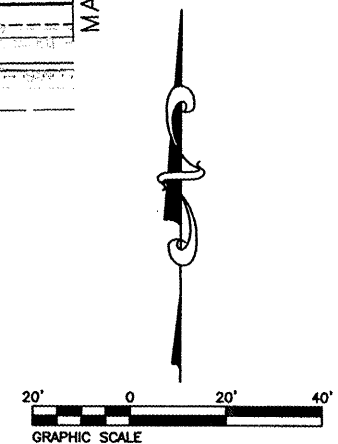
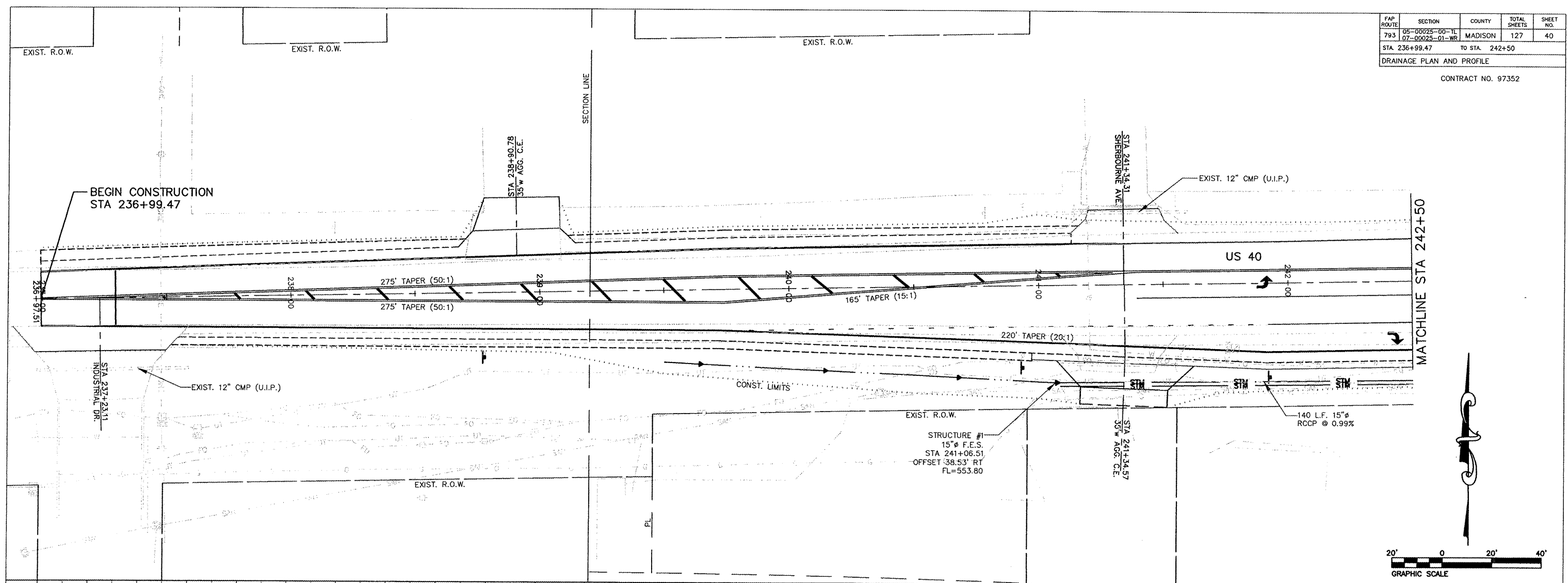
TEMPORARY EROSION CONTROL ITEMS

- ① TEMPORARY DITCH CHECK 
- ② INLET & PIPE PROTECTION 
- ③ PERIMETER EROSION BARRIER 
- ④ EROSION CONTROL BLANKET 
- ⑤ RR4 RIPRAP 



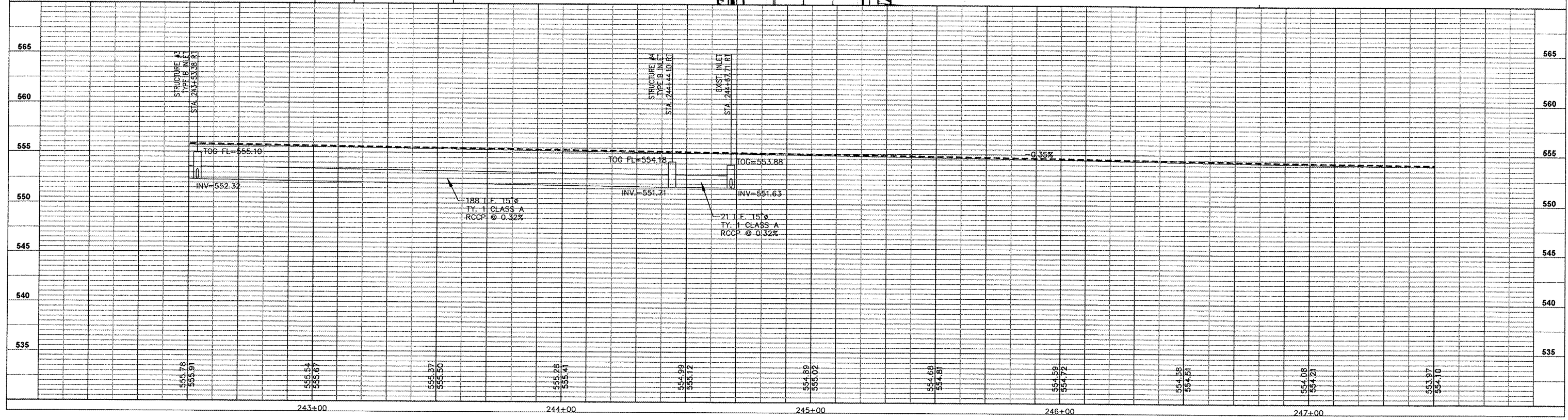
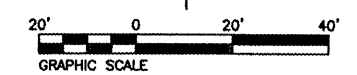
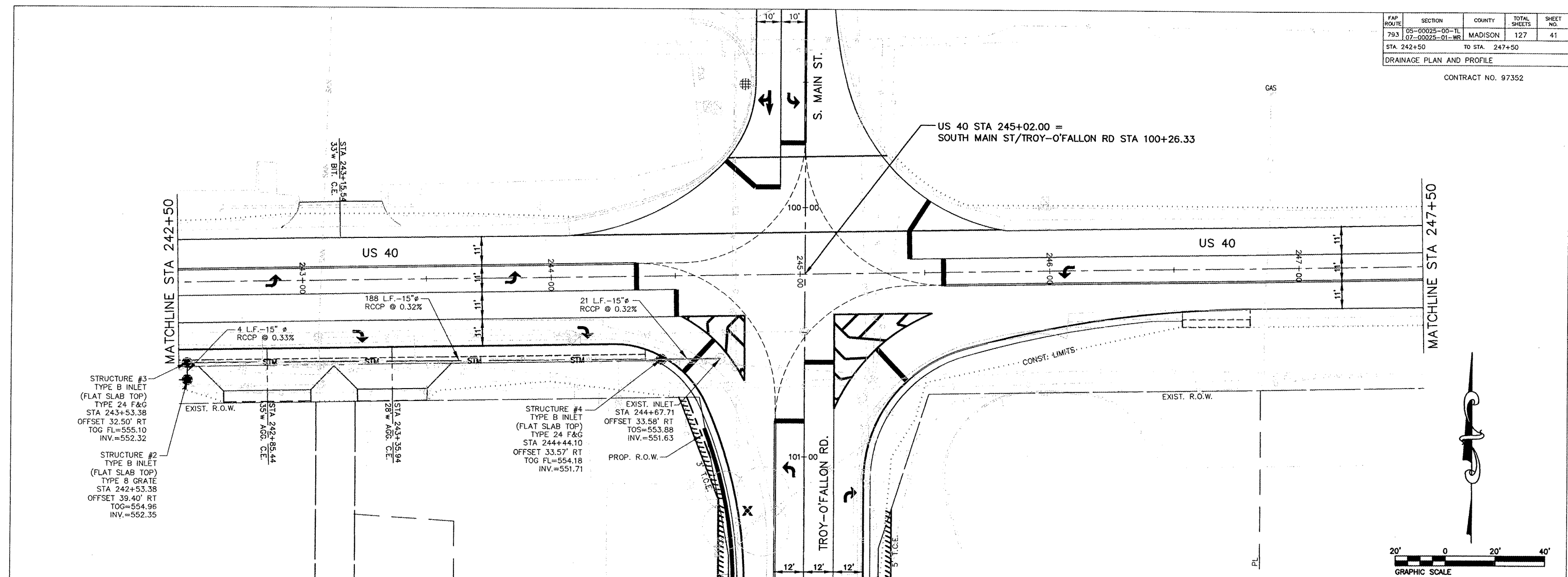
FAP ROUTE	SECTION	COUNTY	TOTAL SHEETS	SHEET NO.
793	05-00025-00-TL 07-00025-01-WR	MADISON	127	40
STA 236+99.47		TO STA 242+50		

CONTRACT NO. 97352



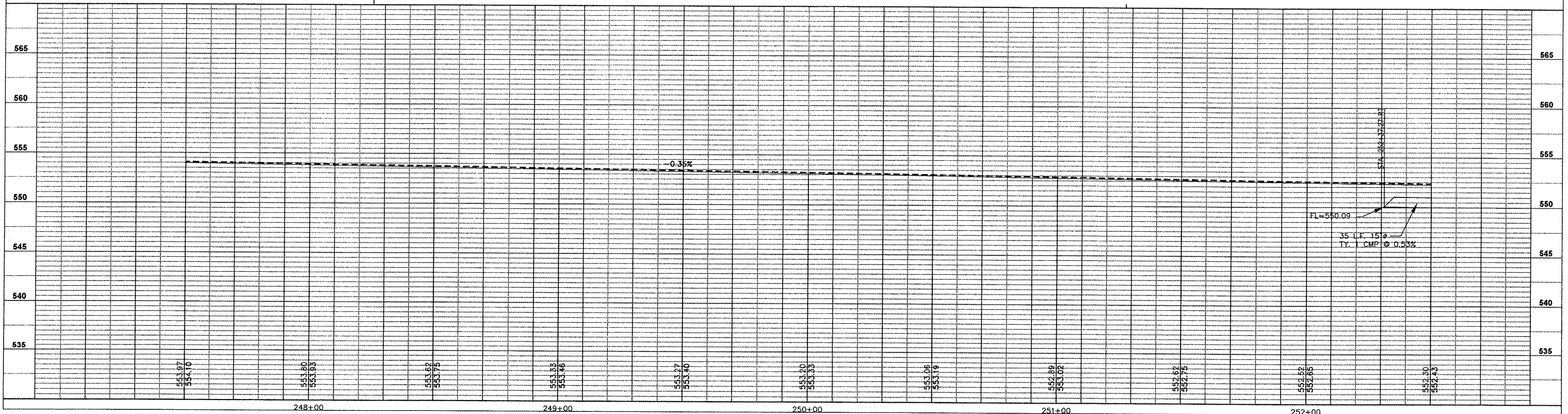
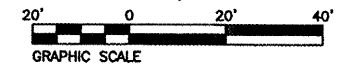
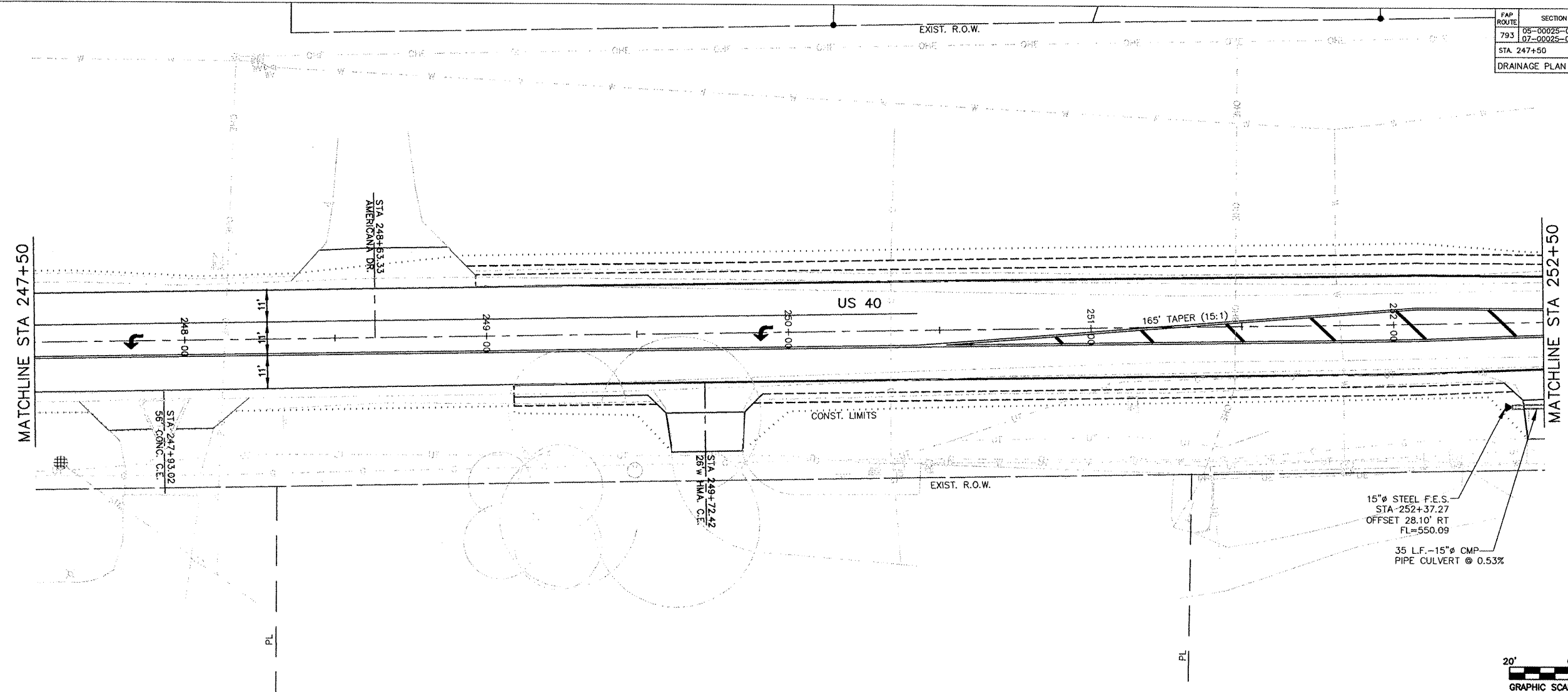
FAP ROUTE	SECTION	COUNTY	TOTAL SHEETS	SHEET NO.
793	05-00025-00-TL 07-00025-01-WR	MADISON	127	41
STA. 242+50		TO STA. 247+50		

DRAINAGE PLAN AND PROFILE
CONTRACT NO. 97352



FAP ROUTE	SECTION	COUNTY	TOTAL SHEETS	SHEET NO.
793	05-00025-00-TL 07-00025-01-WR	MADISON	127	42
STA 247+50		TO STA. 252+50		

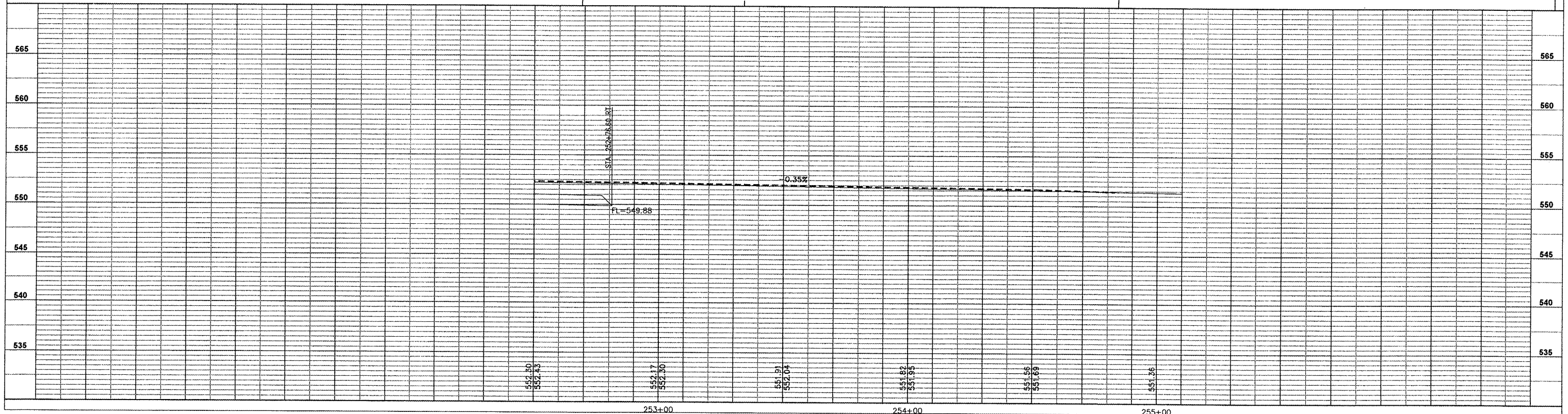
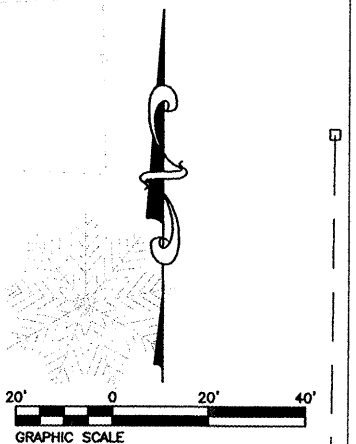
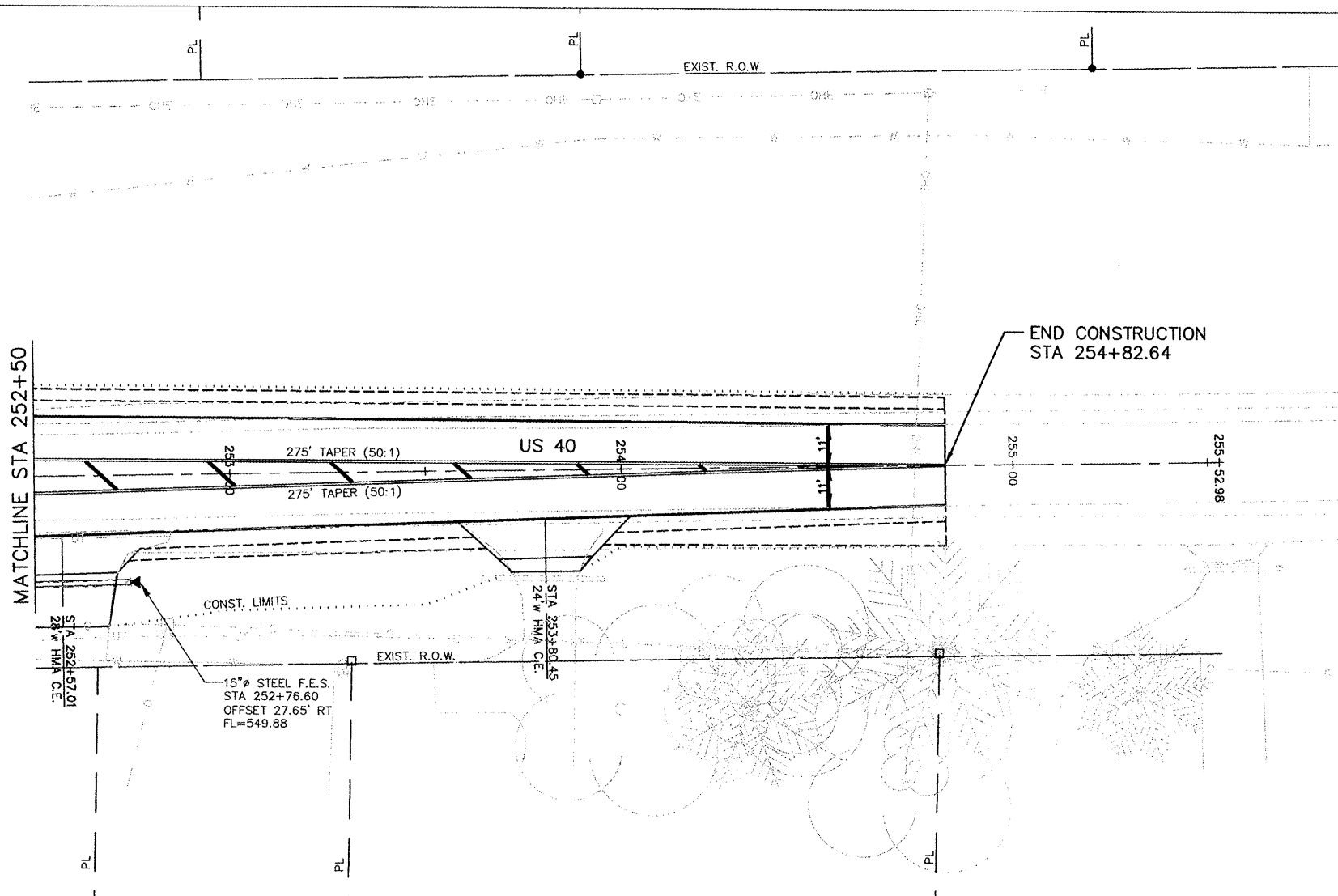
CONTRACT NO. 97352



FAP ROUTE	SECTION	COUNTY	TOTAL SHEETS	SHEET NO.
793	05-00025-00-TL 07-00025-01-WR	MADISON	127	43
STA. 252+50		TO STA. 254+82.64		

DRAINAGE PLAN AND PROFILE

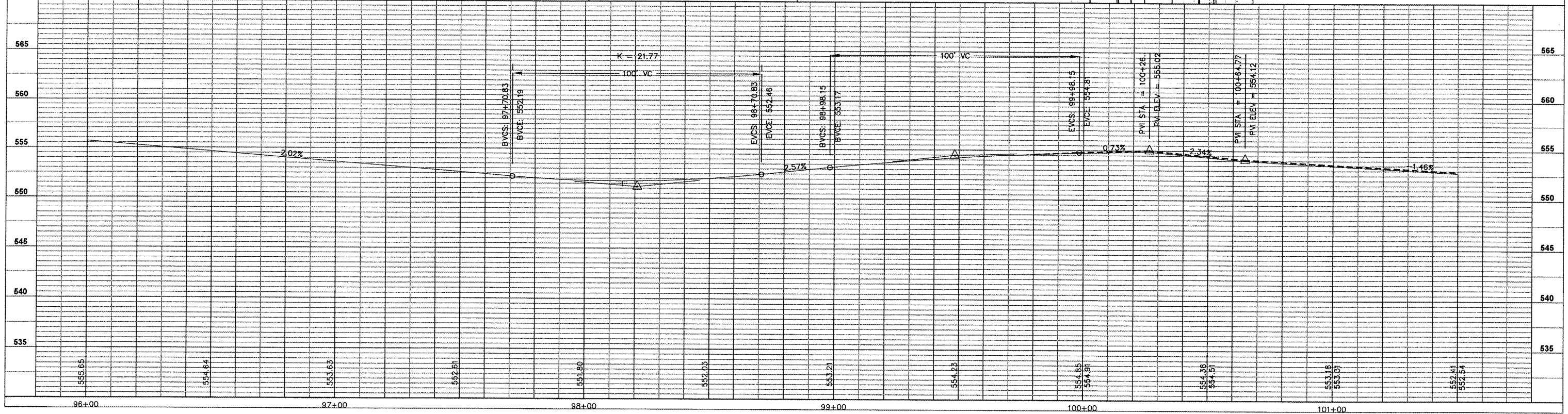
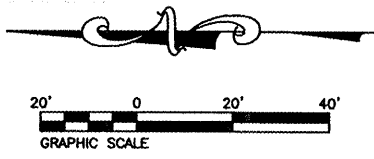
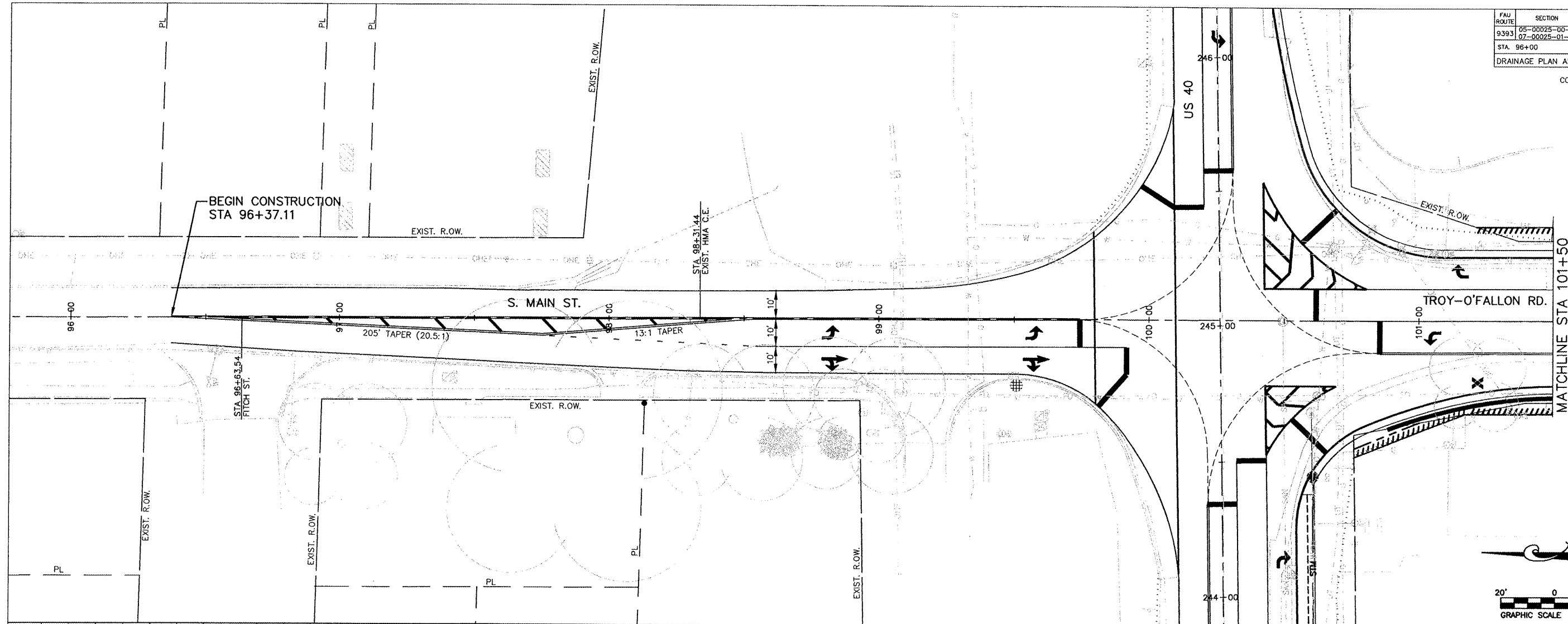
CONTRACT NO. 97352



FAU ROUTE	SECTION	COUNTY	TOTAL SHEETS	SHEET NO.
9393	05-00025-00-TL 07-00025-01-WR	MADISON	127	44
STA 96+00 TO STA 101+50				

DRAINAGE PLAN AND PROFILE

CONTRACT NO. 97352

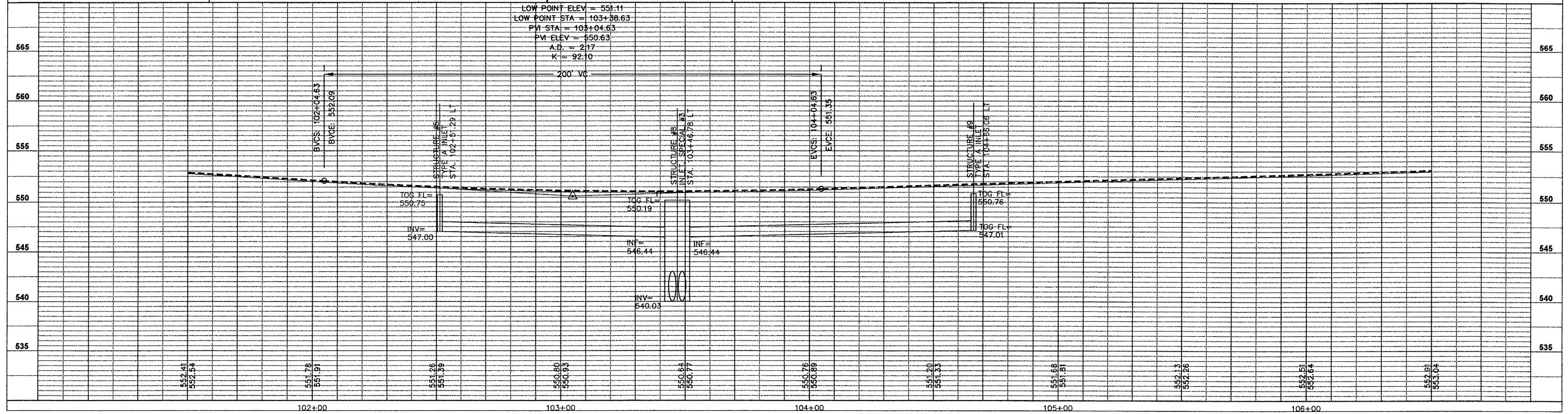
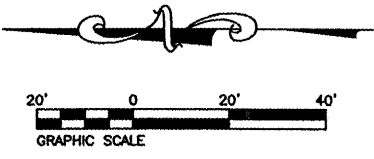
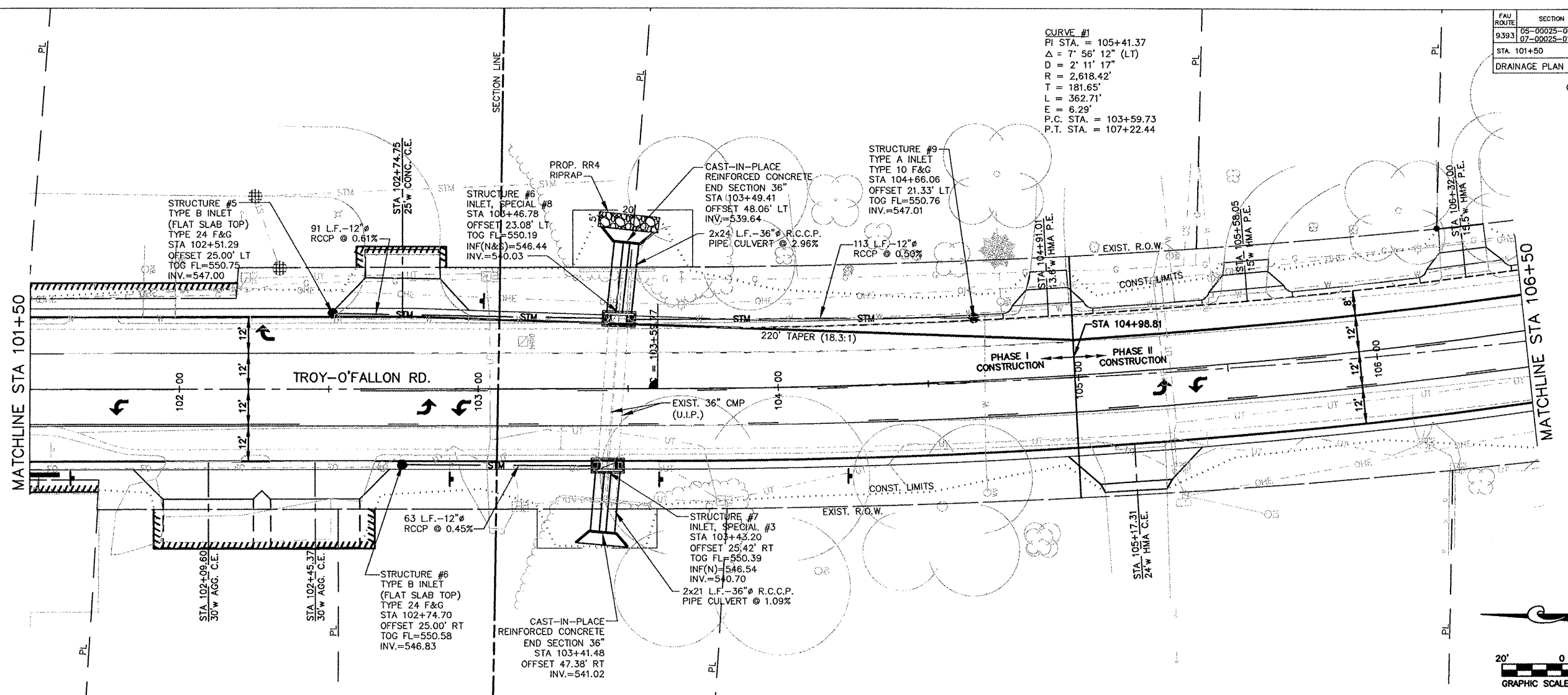


FAU ROUTE	SECTION	COUNTY	TOTAL SHEETS	SHEET NO.
9393	05-00025-00-TL 07-00025-01-WR	MADISON	127	45

STA. 101+50 TO STA. 106+50
DRAINAGE PLAN AND PROFILE

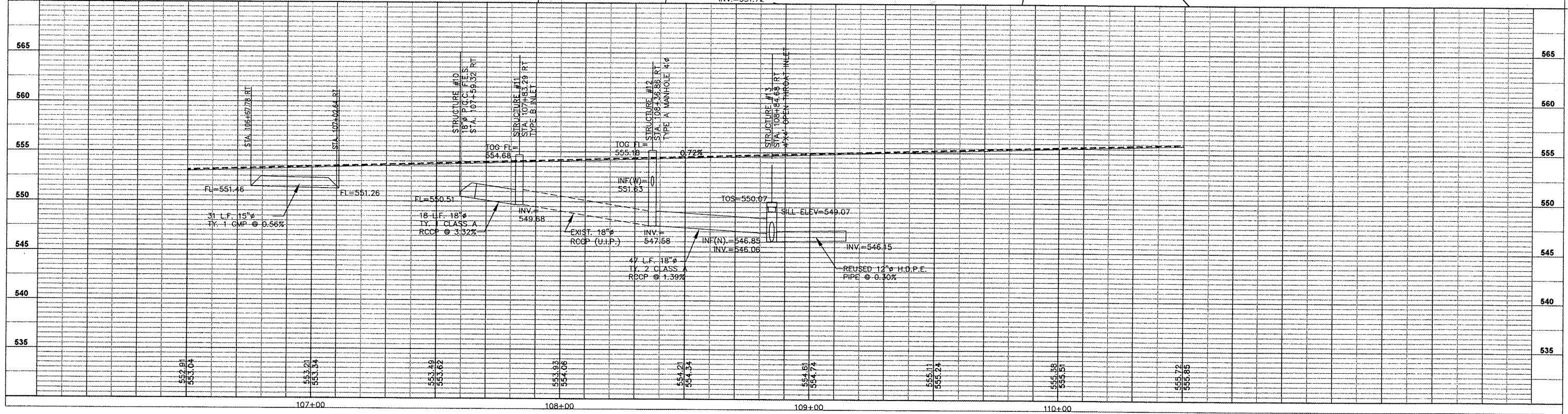
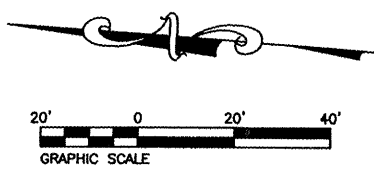
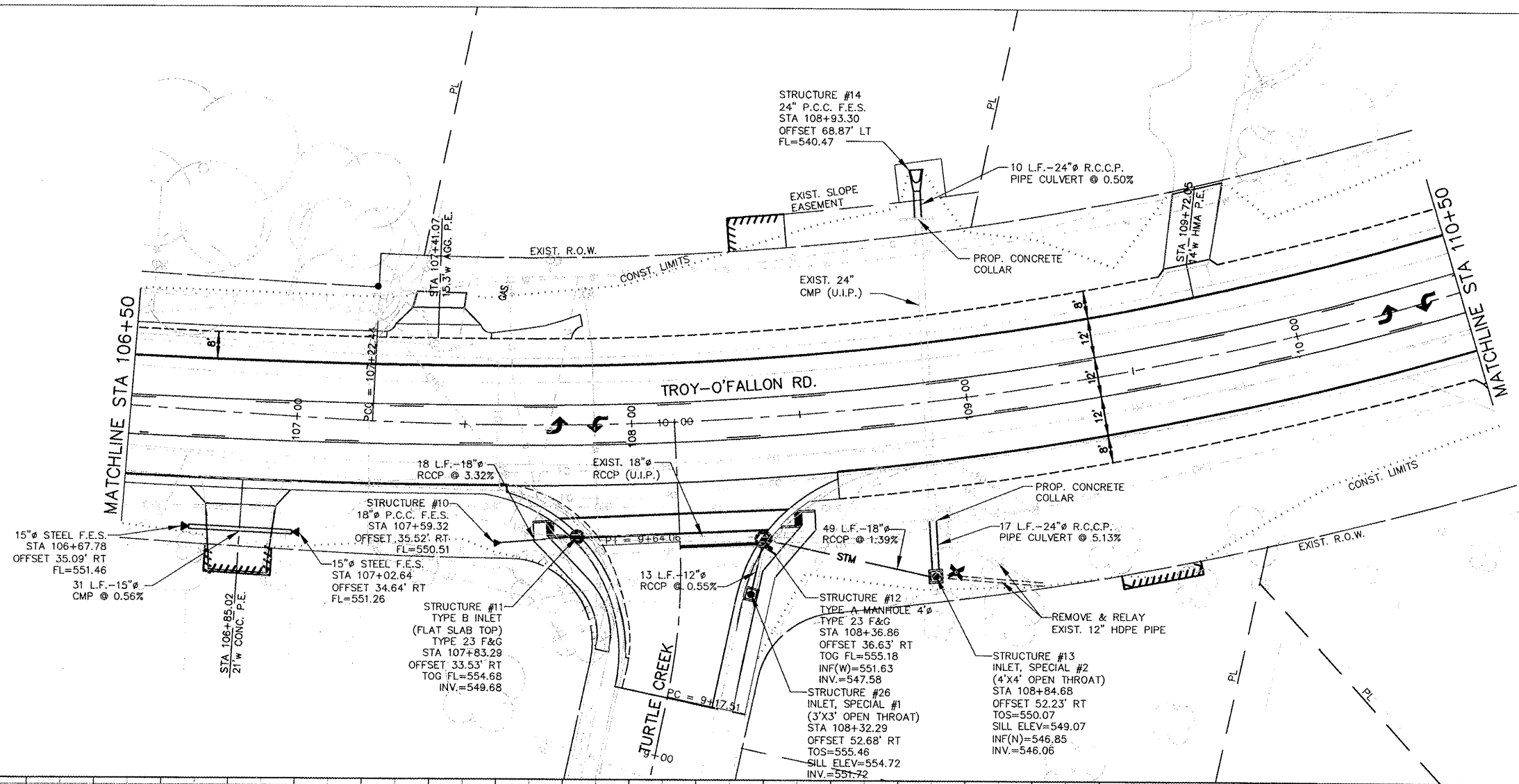
CONTRACT NO. 97352

CURVE #1
 P.I. STA. = 105+41.37
 $\Delta = 7^{\circ} 56' 12''$ (LT)
 $D = 2^{\circ} 11' 17''$
 $R = 2,618.42'$
 $T = 181.65'$
 $L = 362.71'$
 $E = 6.29'$
 P.C. STA. = 103+59.73
 P.T. STA. = 107+22.44



FAU ROUTE	SECTION	COUNTY	TOTAL SHEETS	SHEET NO.
9393	05-00025-00-TL 07-00025-01-WR	MADISON	127	46
STA. 106+50		TO STA. 110+50		

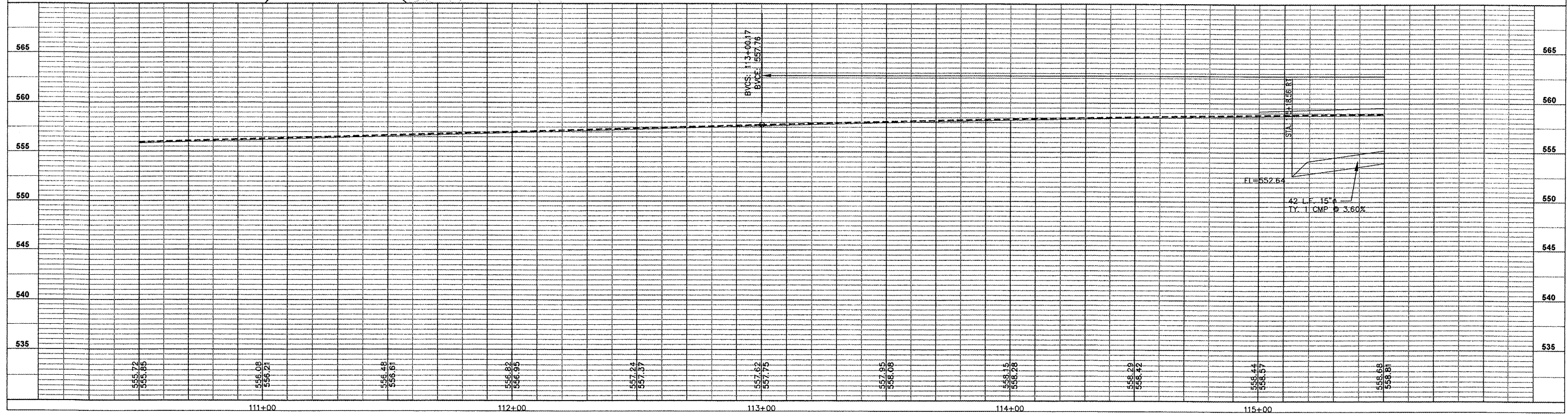
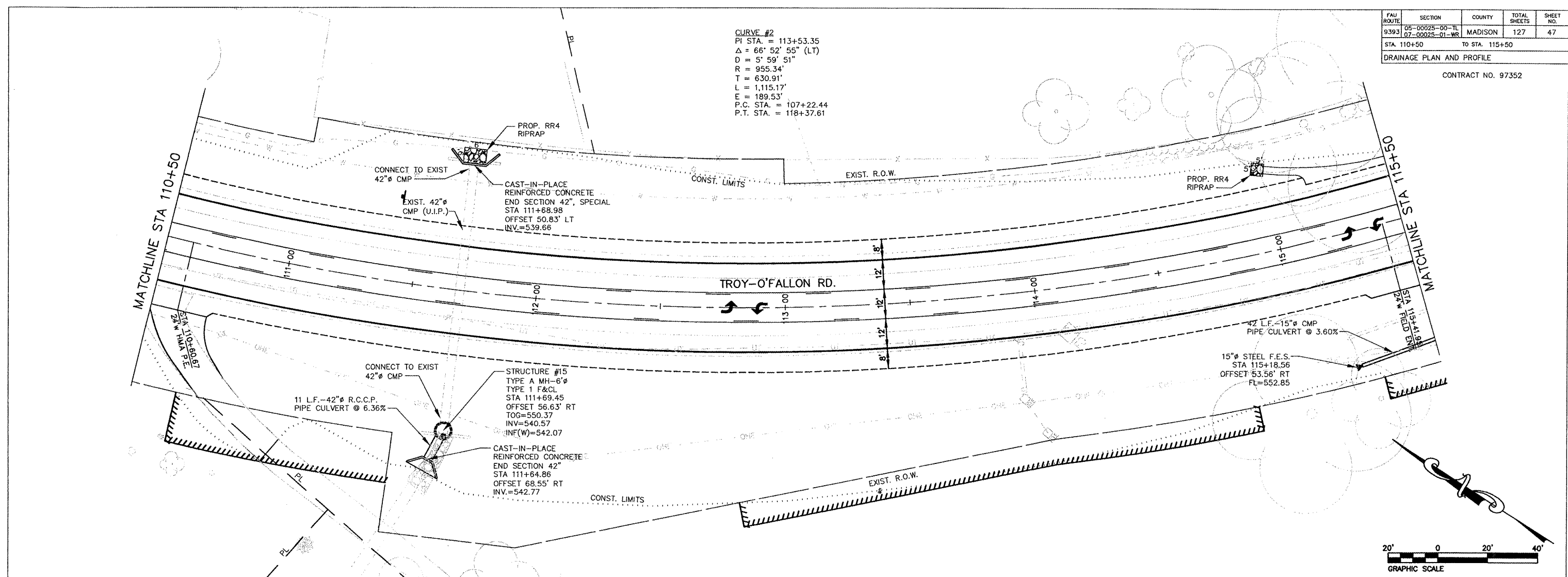
DRAINAGE PLAN AND PROFILE
CONTRACT NO. 97352



FAU ROUTE	SECTION	COUNTY	TOTAL SHEETS	SHEET NO.
9393	05-00025-00-TL 07-00025-01-WR	MADISON	127	47
STA. 110+50		TO STA. 115+50		
DRAINAGE PLAN AND PROFILE				

CONTRACT NO. 97352

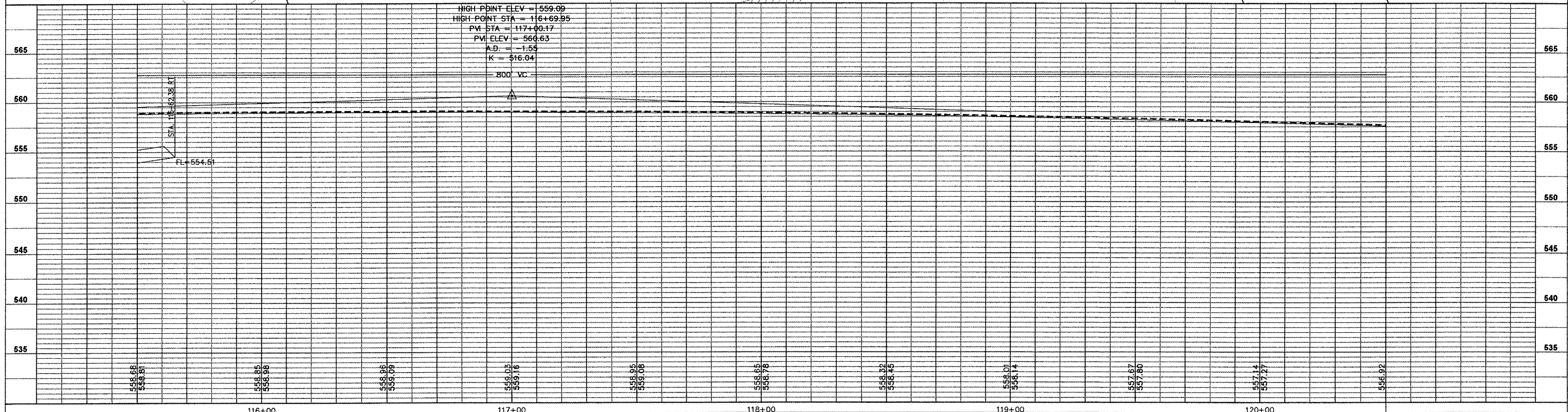
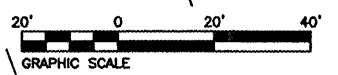
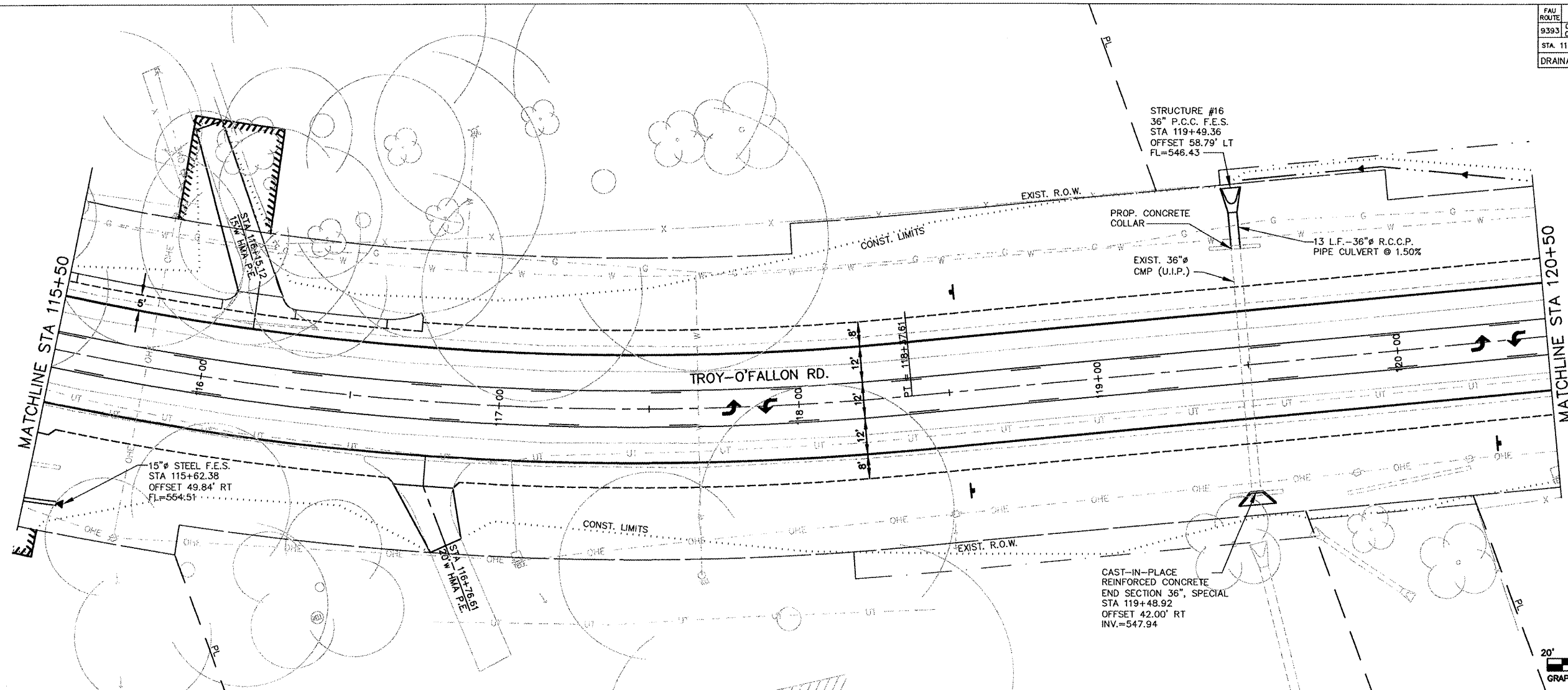
CURVE #2
 PI STA. = 113+53.35
 $\Delta = 66^\circ 52' 55"$ (LT)
 $D = 5^\circ 59' 51"$
 $R = 955.34'$
 $T = 630.91'$
 $L = 1,115.17'$
 $E = 189.53'$
 P.C. STA. = 107+22.44
 P.T. STA. = 118+37.61



Station	Elevation
111+00	555.72
111+00	555.85
111+00	556.08
111+00	556.21
111+00	556.48
111+00	556.61
112+00	556.82
112+00	556.95
113+00	557.24
113+00	557.37
113+00	557.62
113+00	557.75
114+00	557.85
114+00	558.08
114+00	558.15
114+00	558.28
115+00	558.29
115+00	558.42
115+00	558.44
115+00	558.57
115+00	558.68
115+00	558.81

FAU ROUTE	SECTION	COUNTY	TOTAL SHEETS	SHEET NO.
9393	05-00025-00-TL	MADISON	127	48
07-00023-01-WR				
STA. 115+50		TO STA. 120+50		
DRAINAGE PLAN AND PROFILE				

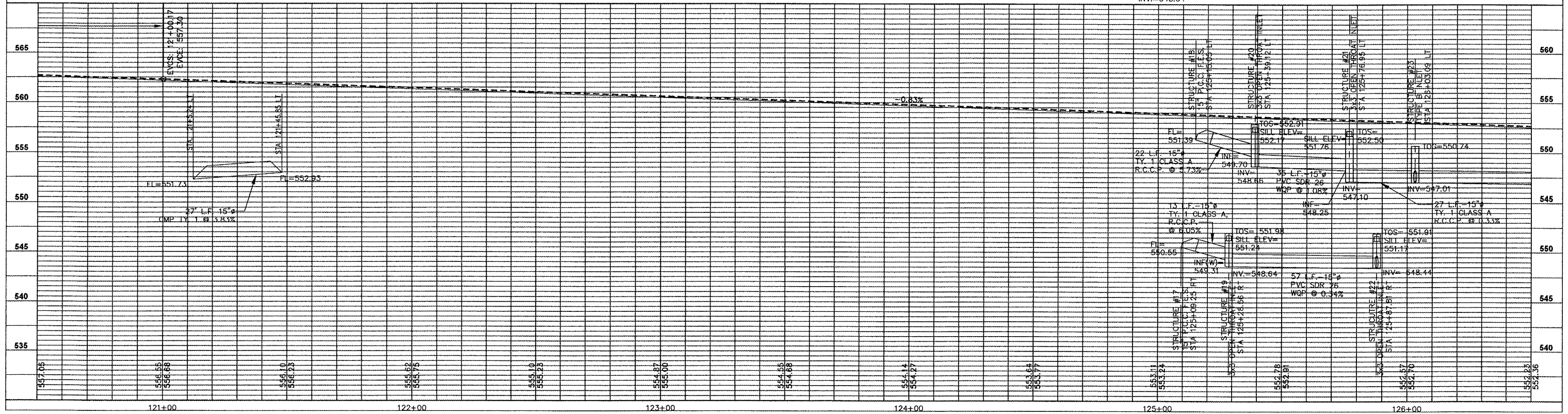
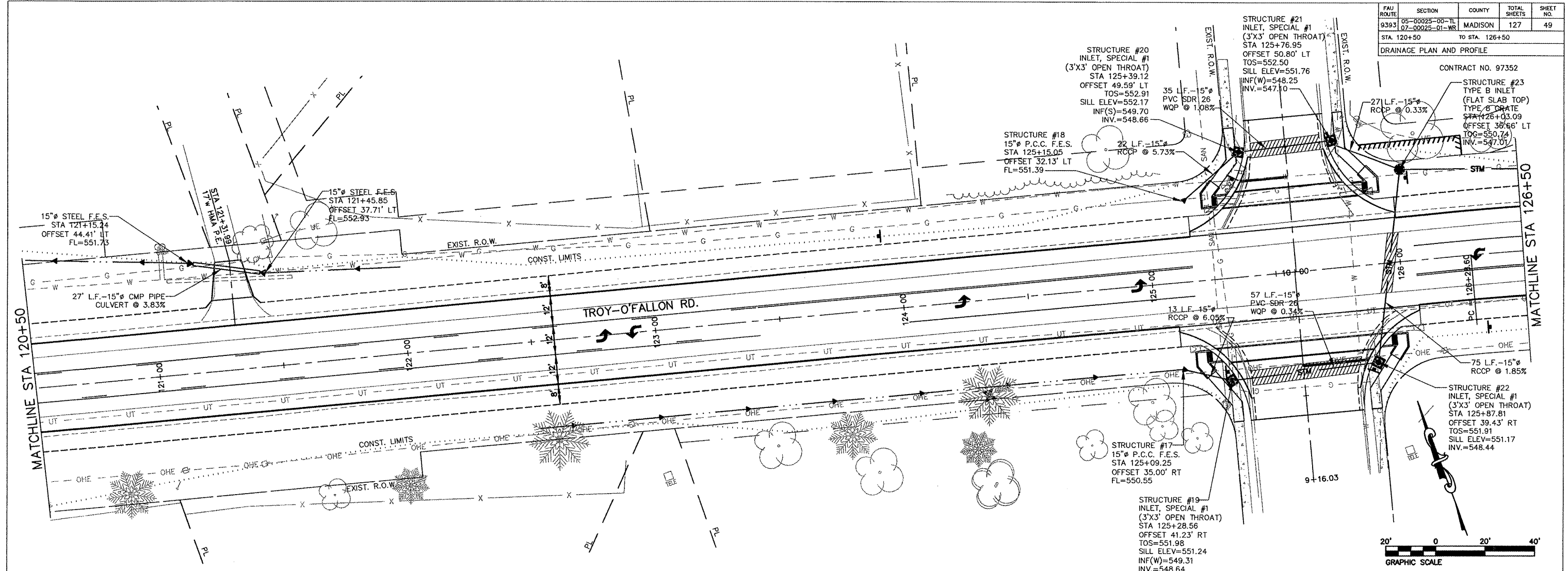
CONTRACT NO. 97352



FAU ROUTE	SECTION	COUNTY	TOTAL SHEETS	SHEET NO.
9393	05-00025-00-TL 07-00025-01-WR	MADISON	127	49

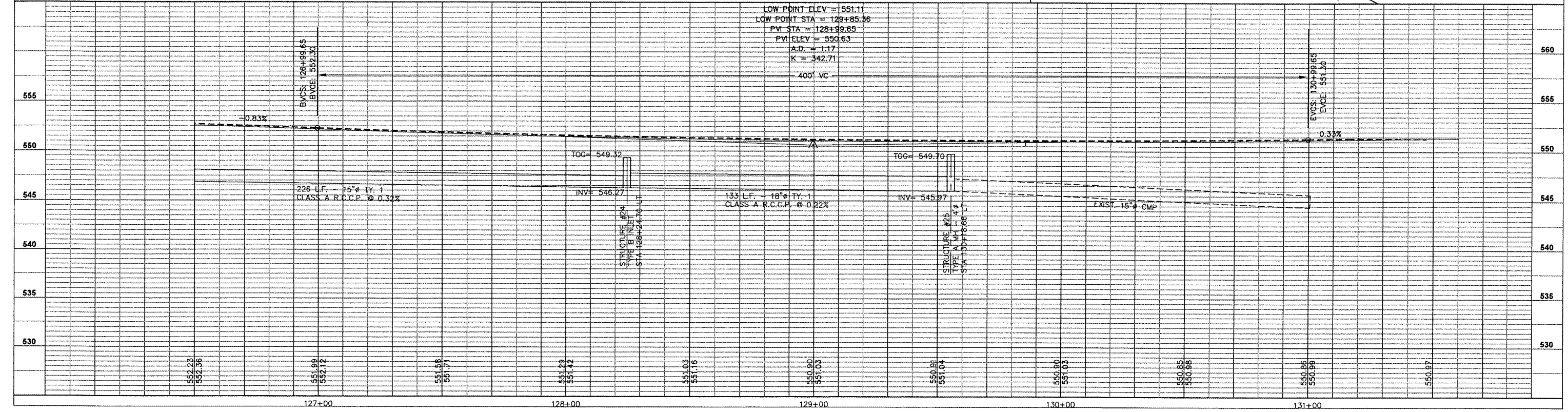
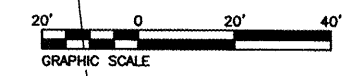
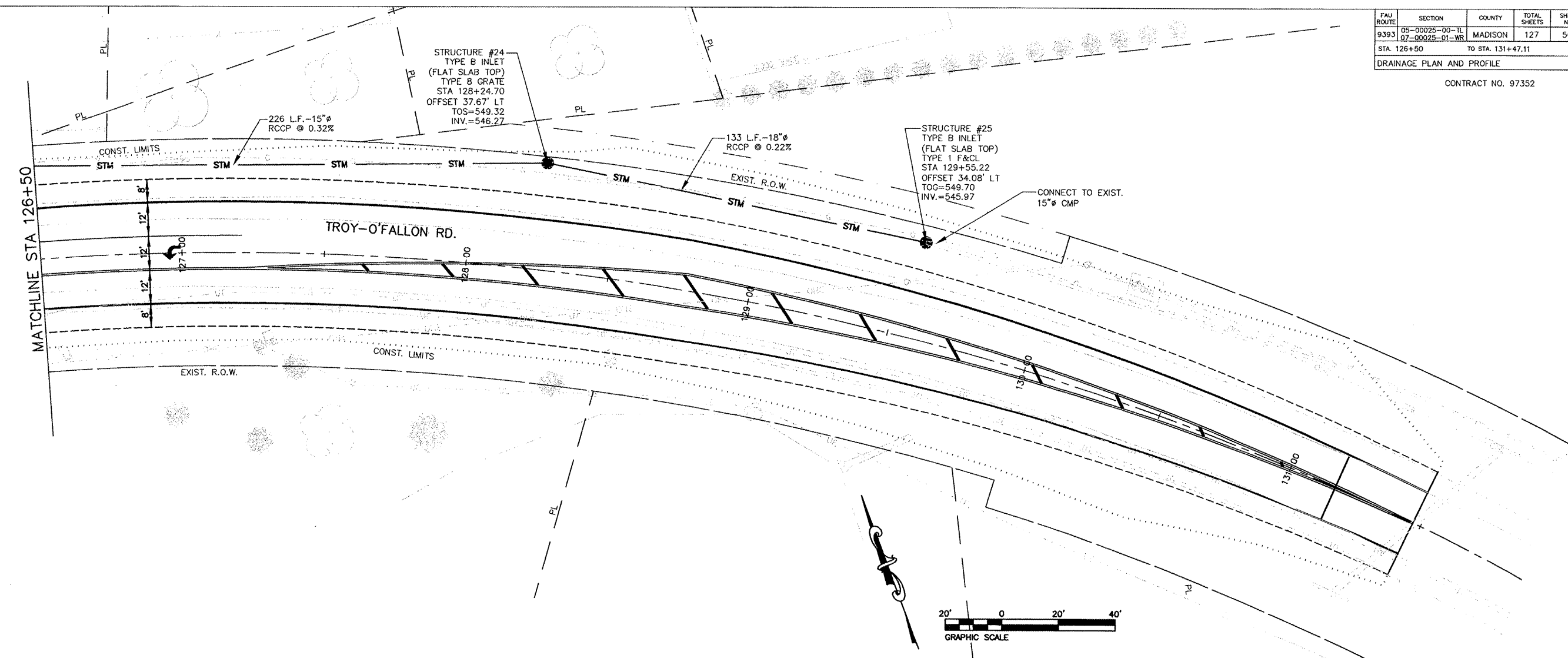
STA. 120+50 TO STA. 126+50
DRAINAGE PLAN AND PROFILE

CONTRACT NO. 97352



FAU ROUTE	SECTION	COUNTY	TOTAL SHEETS	SHEET NO.
9393	05-00025-03-TL 07-00025-01-WR	MADISON	127	50
STA. 126+50		TO STA. 131+47.11		
DRAINAGE PLAN AND PROFILE				

CONTRACT NO. 97352



F&P ROUTE	SECTION	COUNTY	TOTAL SHEETS	SHEET NO.
793	05-00025-00-TL 02-00025-01-WR	MADISON	127	51
STA. 237+44.46		TO STA. 242+50		
RIGHT-OF-WAY PLAN SHEETS				

CONTRACT NO. 97352

EVERETT BOHNENSTIEHL
09-2-22-09-18-301-005

FETTERS LANDSCAPING
09-2-22-09-19-401-006

MARTIN OLIVER
09-2-22-09-19-401-007

EXIST. R.O.W.

EXIST. R.O.W.

EXIST. R.O.W.

SECTION LINE

STA. 238+90.78
35' W AGG. C.E.

STA. 241+34.31
SHERBOURNE AVE.

MATCHLINE STA 242+50

US 40

237+00

238+00

239+00

240+00

241+00

242+00

STA. 237+23.11
INDUSTRIAL DR.

EXIST. R.O.W.

EXIST. R.O.W.

STA. 241+34.57
35' W AGG. C.E.

EXIST. R.O.W.

EVERETT BOHNENSTIEHL
09-2-22-09-19-404-001

EVERETT BOHNENSTIEHL
09-2-22-09-19-404-001

ILLINOIS POWER COMPANY
09-2-22-16-06-101-014

PL

PL

PL

PL

PL

PL

.101

.101

.101

.47

.67

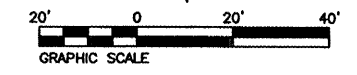
.67

CONST. LIMITS

STM

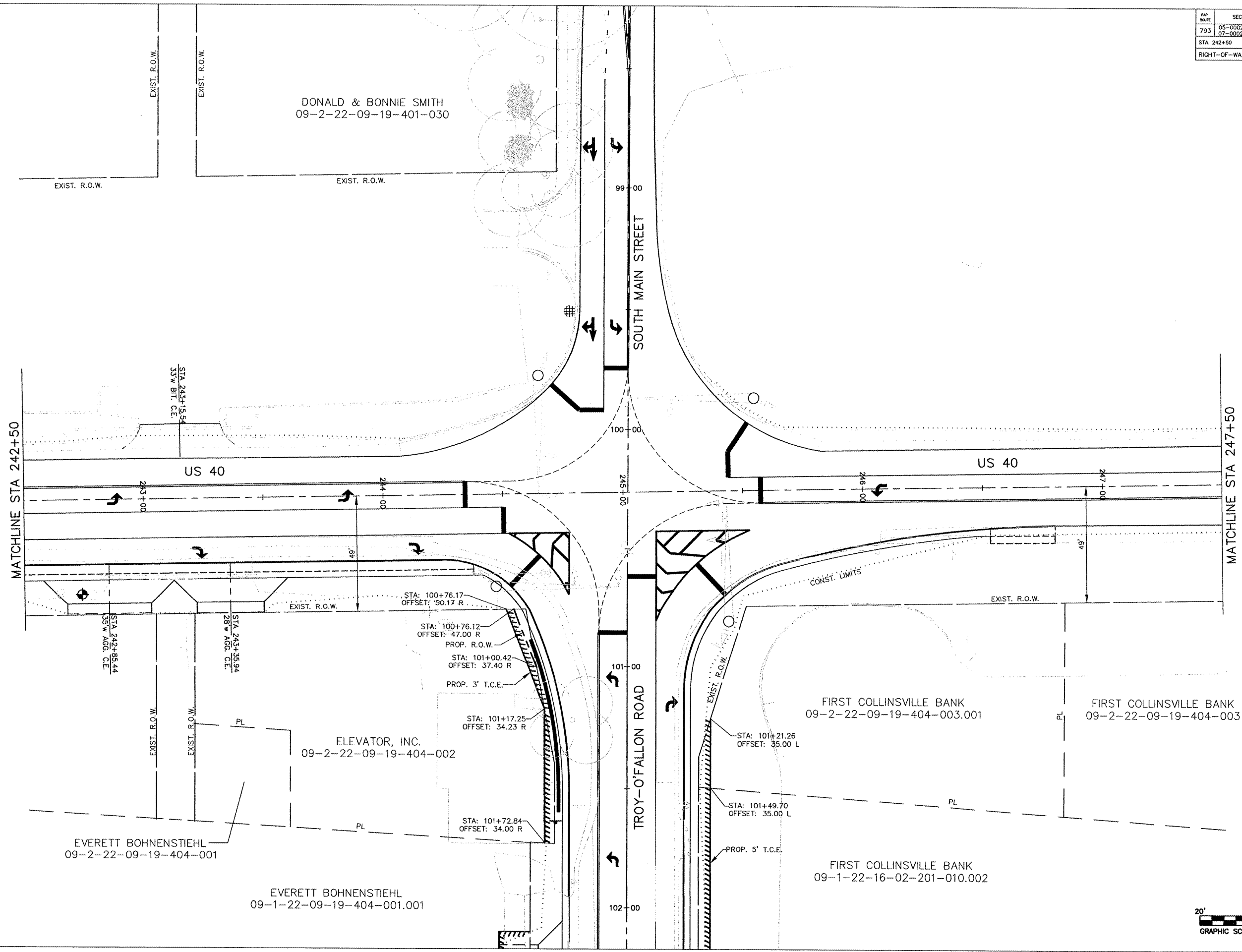
STM

STM



FAP ROUTE	SECTION	COUNTY	TOTAL SHEETS	SHEET NO
793	05-00025-00-TL 07-00025-01-WR	MADISON	127	52
STA 242+50		TO STA. 247+50		
RIGHT-OF-WAY PLAN SHEETS				

CONTRACT NO. 97352



MATCHLINE STA 242+50

MATCHLINE STA 247+50

SOUTH MAIN STREET

TROY-O'FALLON ROAD

DONALD & BONNIE SMITH
09-2-22-09-19-401-030

ELEVATOR, INC.
09-2-22-09-19-404-002

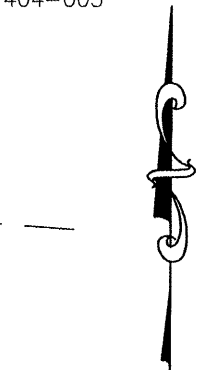
EVERETT BOHNENSTIEHL
09-2-22-09-19-404-001

EVERETT BOHNENSTIEHL
09-1-22-09-19-404-001.001

FIRST COLLINSVILLE BANK
09-2-22-09-19-404-003.001

FIRST COLLINSVILLE BANK
09-2-22-09-19-404-003

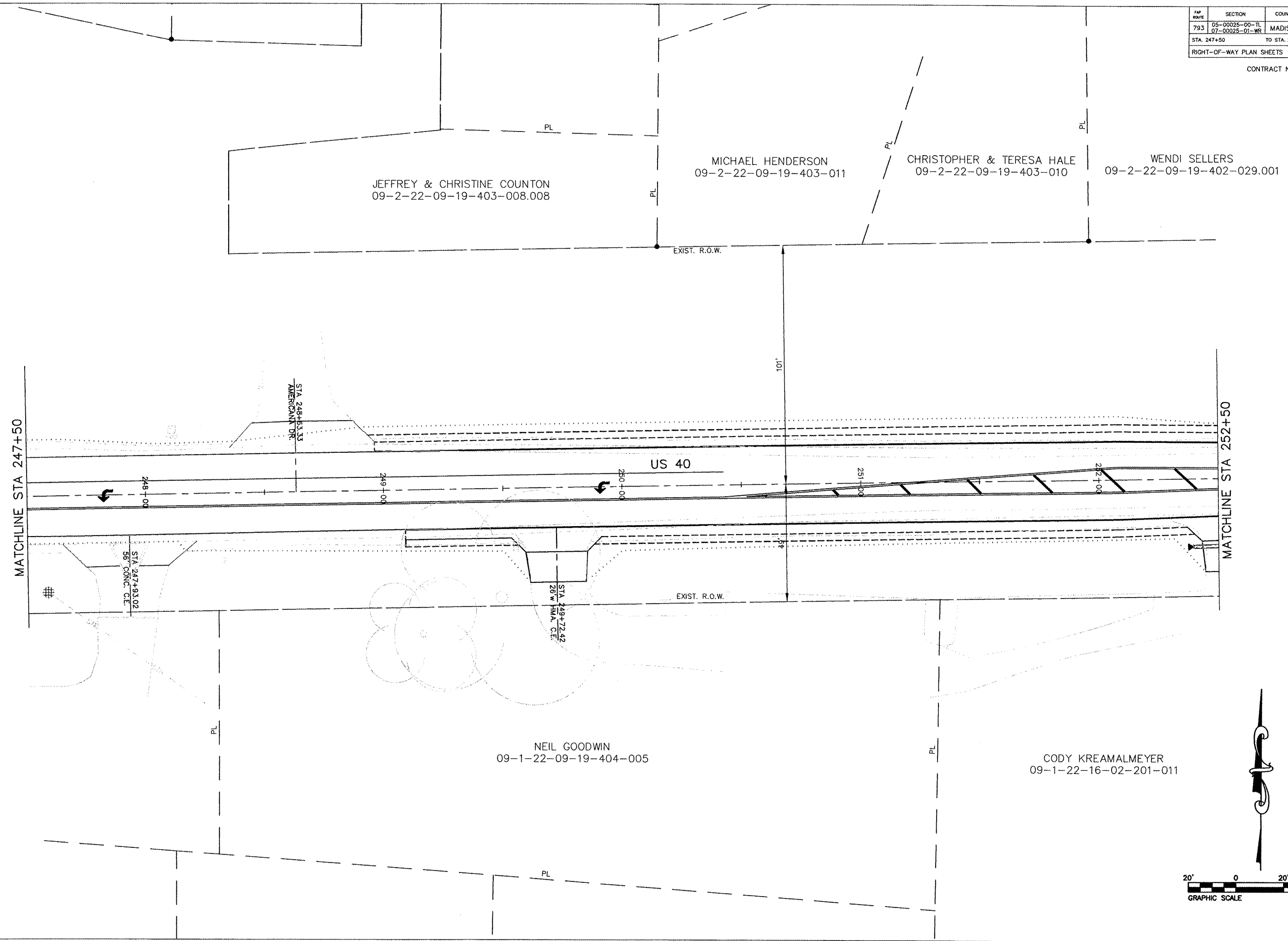
FIRST COLLINSVILLE BANK
09-1-22-16-02-201-010.002



20' 0 20' 40'
GRAPHIC SCALE

FAP ROUTE	SECTION	COUNTY	TOTAL SHEETS	SHEET NO.
793	05-00025-00-TL 07-00025-01-WR	MADISON	127	53
STA. 247+50		TO STA. 252+50		
RIGHT-OF-WAY PLAN SHEETS				

CONTRACT NO. 97352



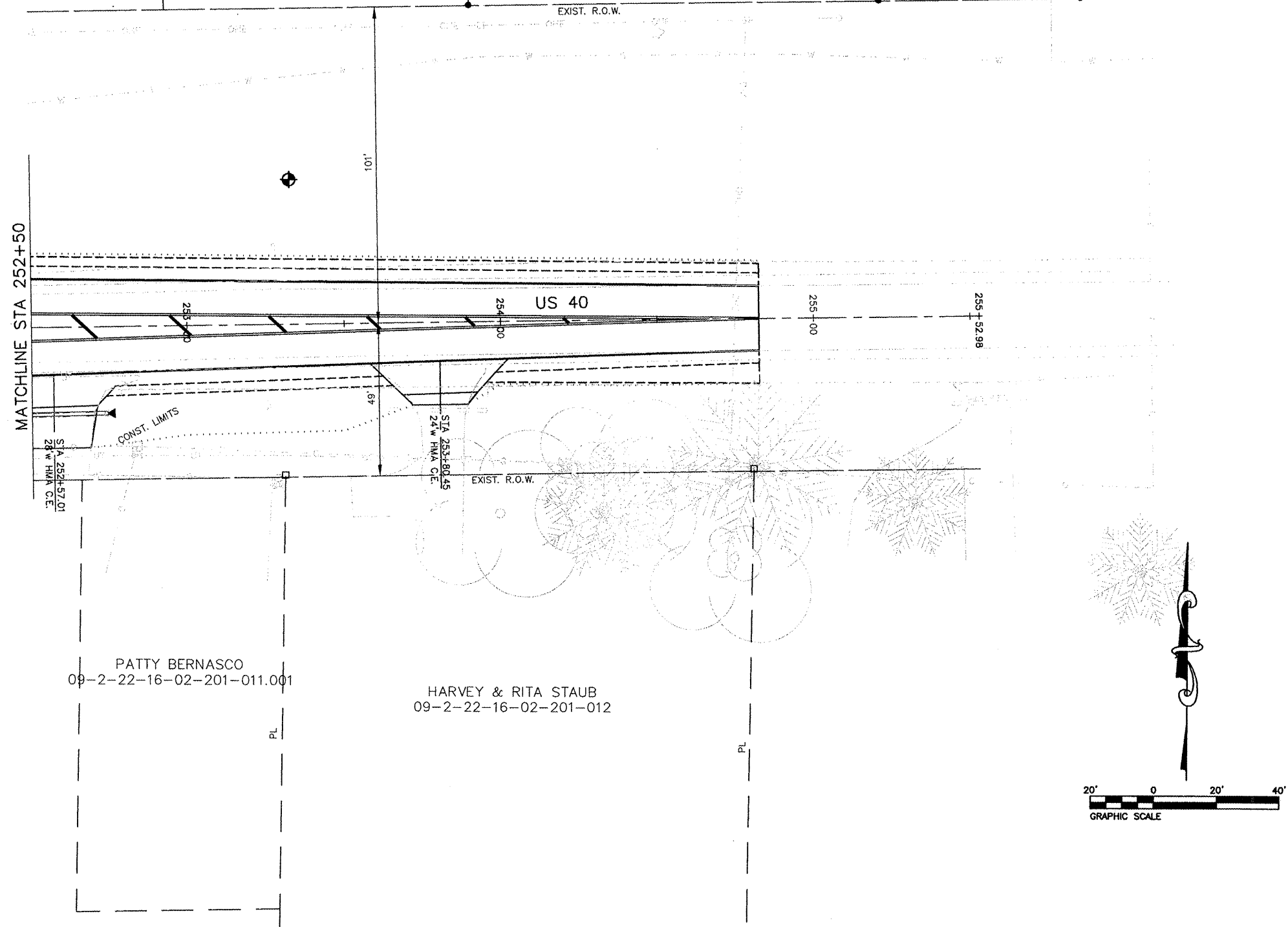
FAP ROUTE	SECTION	COUNTY	TOTAL SHEETS	SHEET NO
793	05-00025-00-TL 07-00025-01-WR	MADISON	127	54
STA. 252+50		TO STA. 254+37.64		
RIGHT-OF-WAY PLAN SHEETS				

CONTRACT NO. 97342

WENDI SELLERS
09-2-22-09-20-402-029

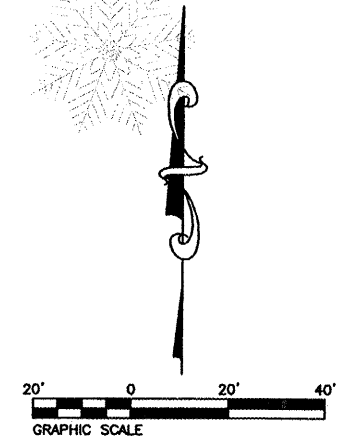
RICKY & VALERIE GROETEK
09-2-22-09-20-402-025

MATCHLINE STA 252+50



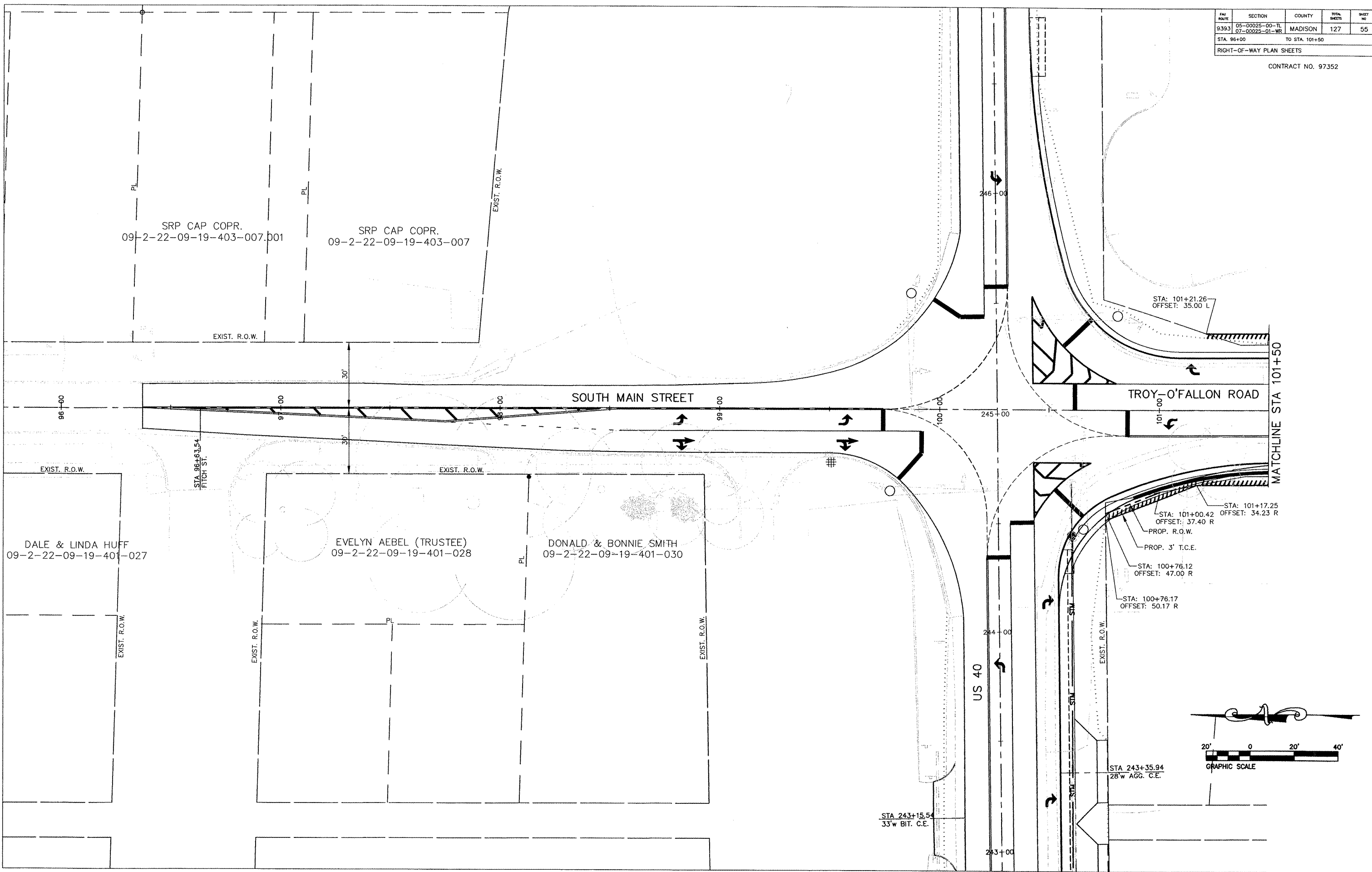
PATTY BERNASCO
09-2-22-16-02-201-011.001

HARVEY & RITA STAUB
09-2-22-16-02-201-012



FAU ROUTE	SECTION	COUNTY	TOTAL SHEETS	SHEET NO.
9393	05-00025-00-TL 07-00025-01-WR	MADISON	127	55
STA. 96+00		TO STA. 101+50		
RIGHT-OF-WAY PLAN SHEETS				

CONTRACT NO. 97352



SRP CAP COPR.
09-2-22-09-19-403-007.001

SRP CAP COPR.
09-2-22-09-19-403-007

DALE & LINDA HUFF
09-2-22-09-19-401-027

EVELYN AEBEL (TRUSTEE)
09-2-22-09-19-401-028

DONALD & BONNIE SMITH
09-2-22-09-19-401-030

STA: 101+21.26
OFFSET: 35.00 L

STA: 101+17.25
OFFSET: 34.23 R

STA: 101+00.42
OFFSET: 37.40 R

PROP. R.O.W.

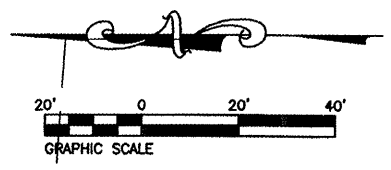
PROP. 3' T.C.E.

STA: 100+76.12
OFFSET: 47.00 R

STA: 100+76.17
OFFSET: 50.17 R

STA 243+15.54
33'w BIT. C.E.

STA 243+35.94
28'w AGG. C.E.



MATCHLINE STA 101+50

FAU ROUTE	SECTION	COUNTY	TOTAL SHEETS	SHEET NO
9393	05-00025-00-TL 07-00025-01-WR	MADISON	127	57
STA. 106+50		TO STA. 111+50		
RIGHT-OF-WAY PLAN SHEETS				

CONTRACT NO. 97352

ABE & CHERYL CYRUS
BOOK 4476 PAGE 4977

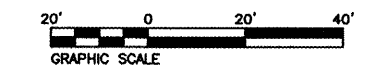
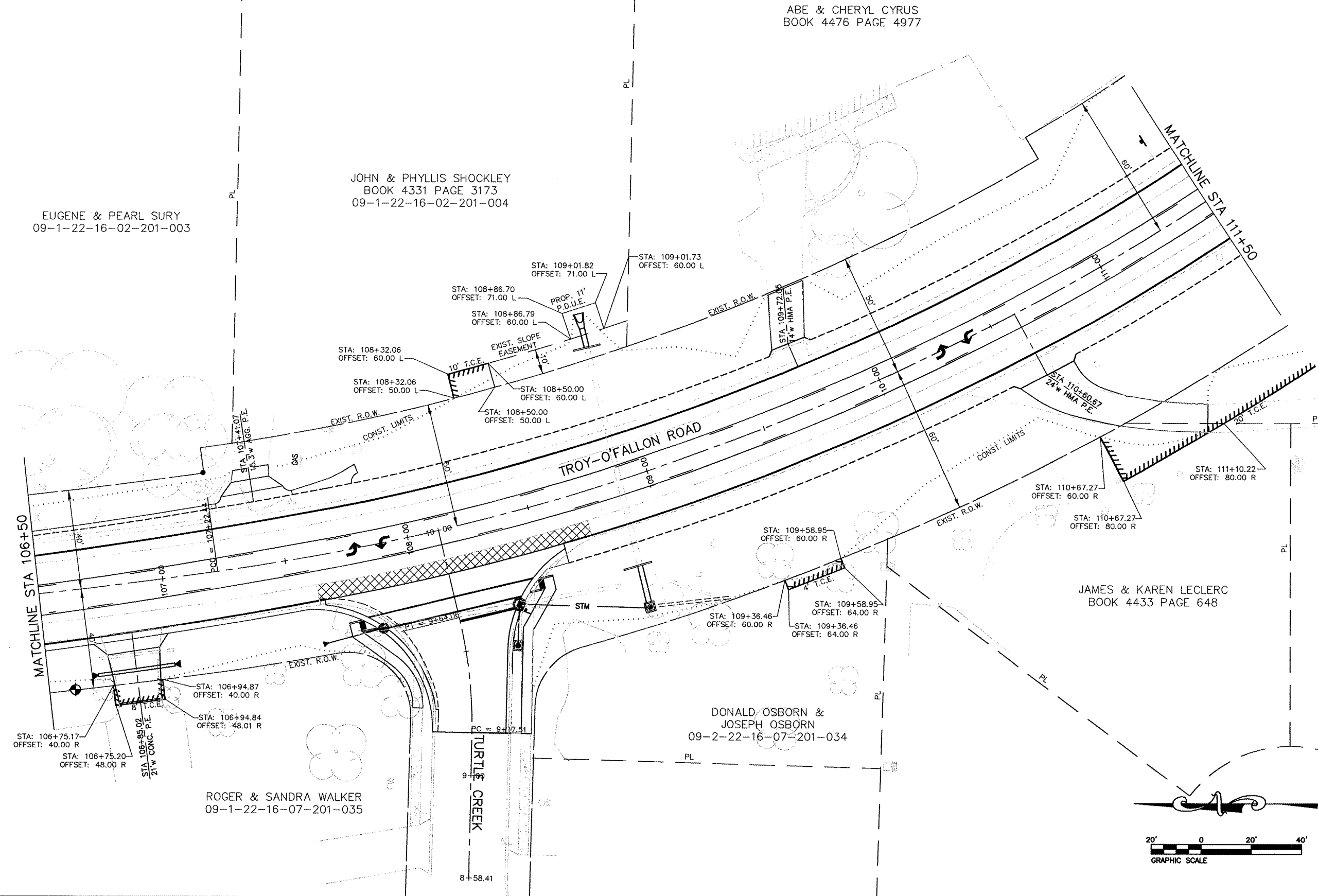
JOHN & PHYLLIS SHOCKLEY
BOOK 4331 PAGE 3173
09-1-22-16-02-201-004

EUGENE & PEARL SURY
09-1-22-16-02-201-003

JAMES & KAREN LECLERC
BOOK 4433 PAGE 648

DONALD, OSBORN &
JOSEPH OSBORN
09-2-22-16-07-201-034

ROGER & SANDRA WALKER
09-1-22-16-07-201-035

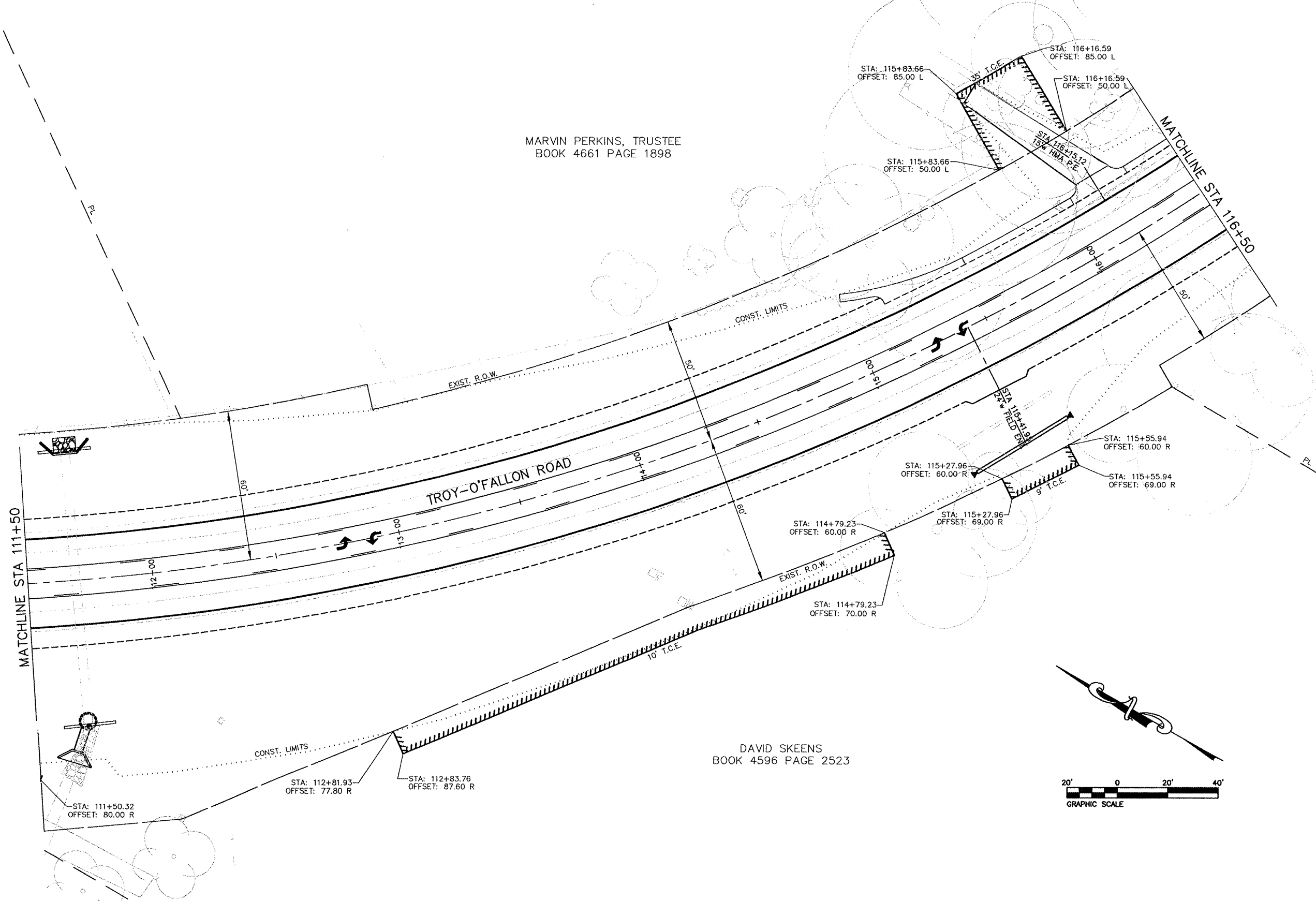


FAU ROUTE	SECTION	COUNTY	TOTAL SHEETS	SHEET NO
9393	05-00025-00-TL 07-00025-01-WR	MADISON	127	58
STA. 111+50		TO STA. 116+50		
RIGHT-OF-WAY PLAN SHEETS				

CONTRACT NO. 97352

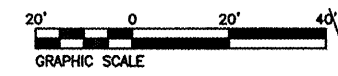
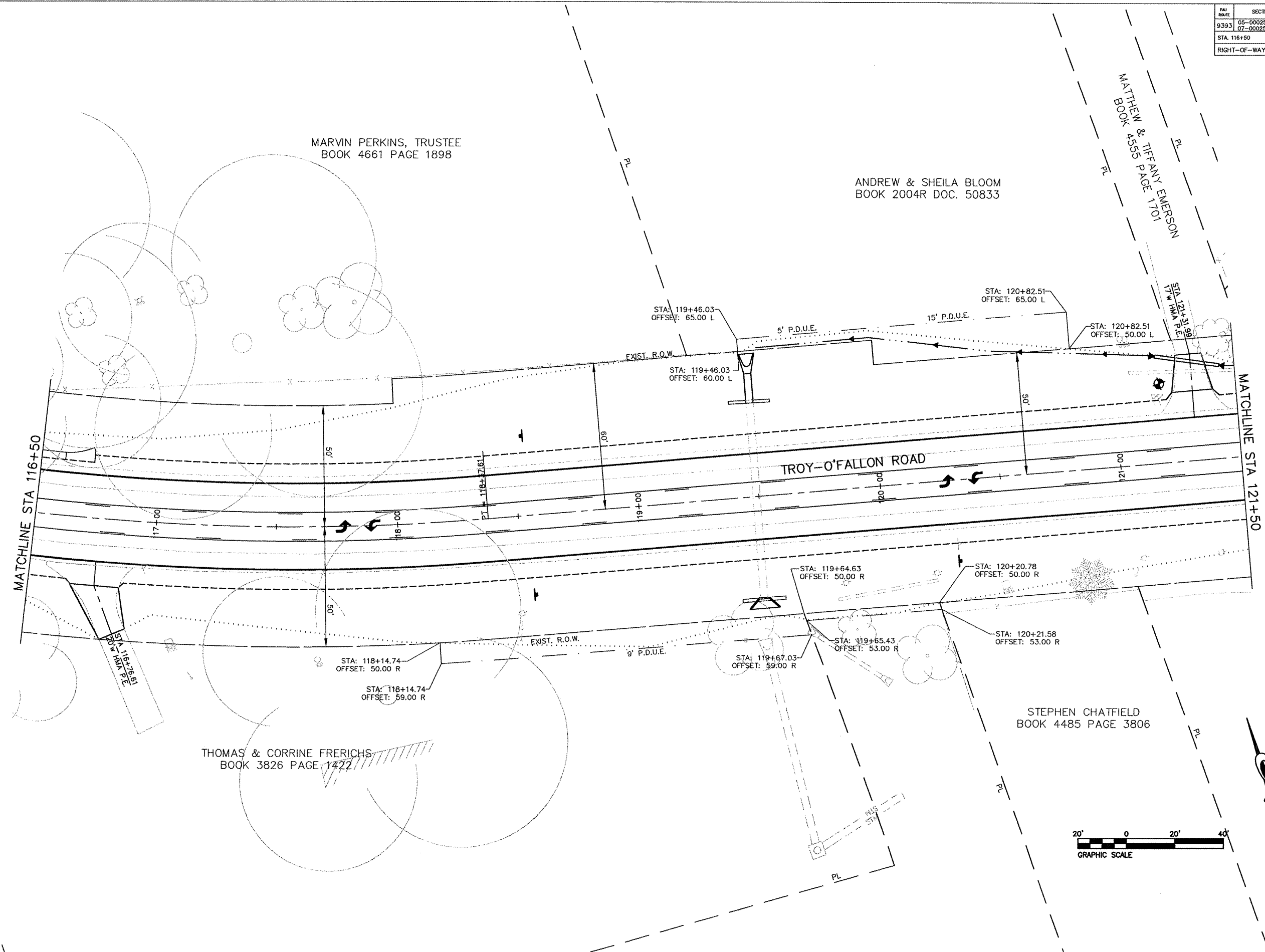
MARVIN PERKINS, TRUSTEE
BOOK 4661 PAGE 1898

DAVID SKEENS
BOOK 4596 PAGE 2523



PAV ROUTE	SECTION	COUNTY	TOTAL SHEETS	SHEET NO
9393	05-00025-00-TL	MADISON	127	59
STA. 116+50		TO STA. 121+50		
RIGHT-OF-WAY PLAN SHEETS				

CONTRACT NO. 97352



FILE NO.	SECTION	COUNTY	TOTAL SHEETS	SHEET NO.
9393	05-00025-00-TL 07-00025-01-WF	MADISON	127	60
STA. 121+50		TO STA. 126+50		
RIGHT-OF-WAY PLAN SHEETS				

CONTRACT NO. 97352

JAMES & JOANNA REED
BOOK 4444 PAGE 2837

SHARON CRUMBLEY
BOOK 4622 PAGE 6147

JAY & MICHELLE COVERT
BOOK 4659 PAGE 5045

ANTHONY & SHARON MAYS
BOOK 4353 PAGE 1198

DUANE & REGINA HENDRICKSON
BOOK 4597 PAGE 2888

MATCHLINE STA 121+50

MATCHLINE STA 126+50

TROY-O'FALLON ROAD

FAIR OAKS DRIVE

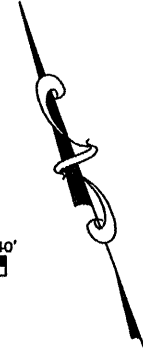
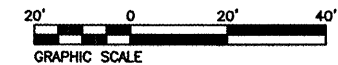
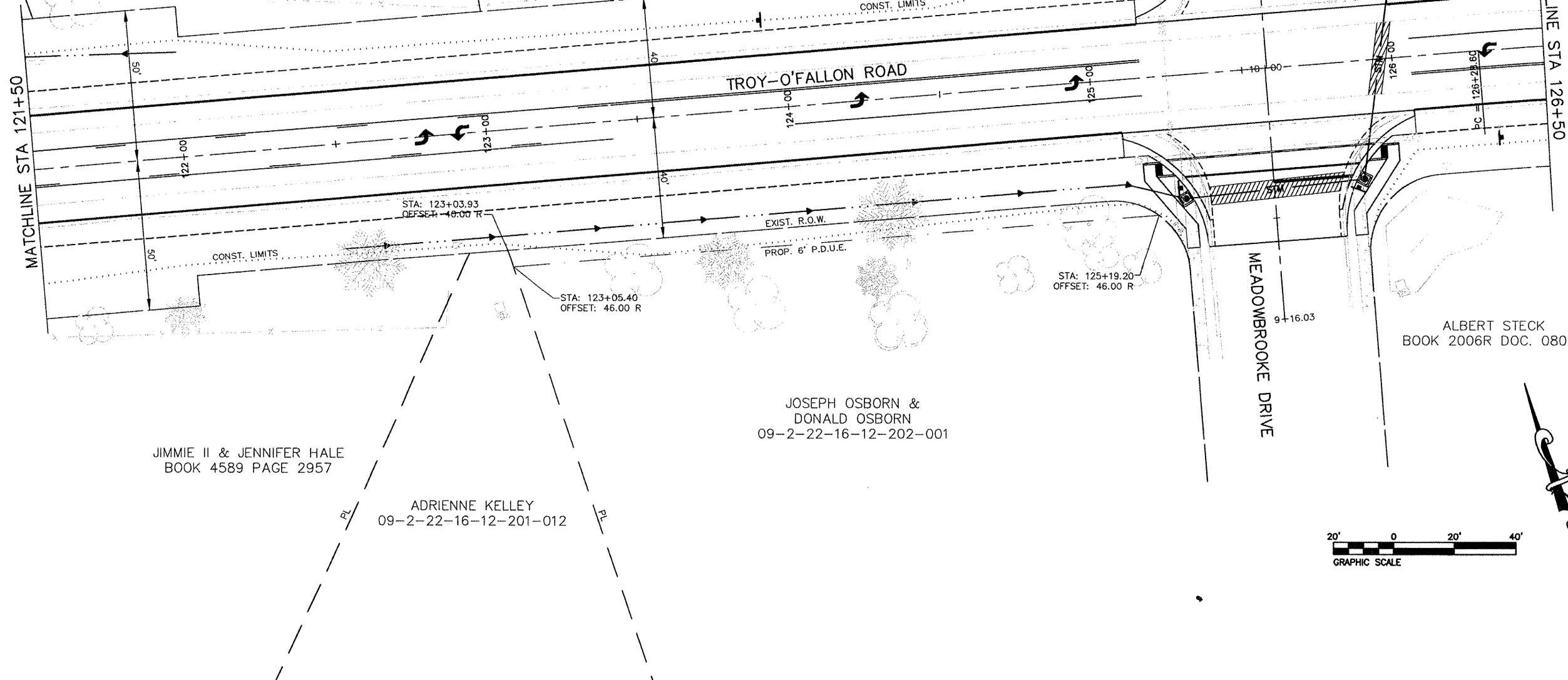
MEADOWBROOKE DRIVE

JIMMIE II & JENNIFER HALE
BOOK 4589 PAGE 2957

ADRIENNE KELLEY
09-2-22-16-12-201-012

JOSEPH OSBORN &
DONALD OSBORN
09-2-22-16-12-202-001

ALBERT STECK
BOOK 2006R DOC. 08028



FILE NO.	SECTION	COUNTY	TOTAL SHEETS	SHEET NO.
9.393	05-00025-00-TL 07-00029-01-WR	MADISON	127	61
STA. 126+50		TO STA. 131+47.11		
RIGHT-OF-WAY PLAN SHEETS				

CONTRACT NO. 97352

JOSEPH & DIANE NEWSOM
BOOK 4410 PAGE 766
BOOK 4628 PAGE 4601

JAMES & TARA NEWCOMBE
BOOK 4628 PAGE 4595
BOOK 2006R DOC. 37418

JOHN JR. & SUSAN PENN
BOOK 4521 PAGE 4759

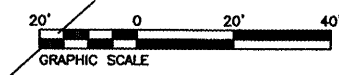
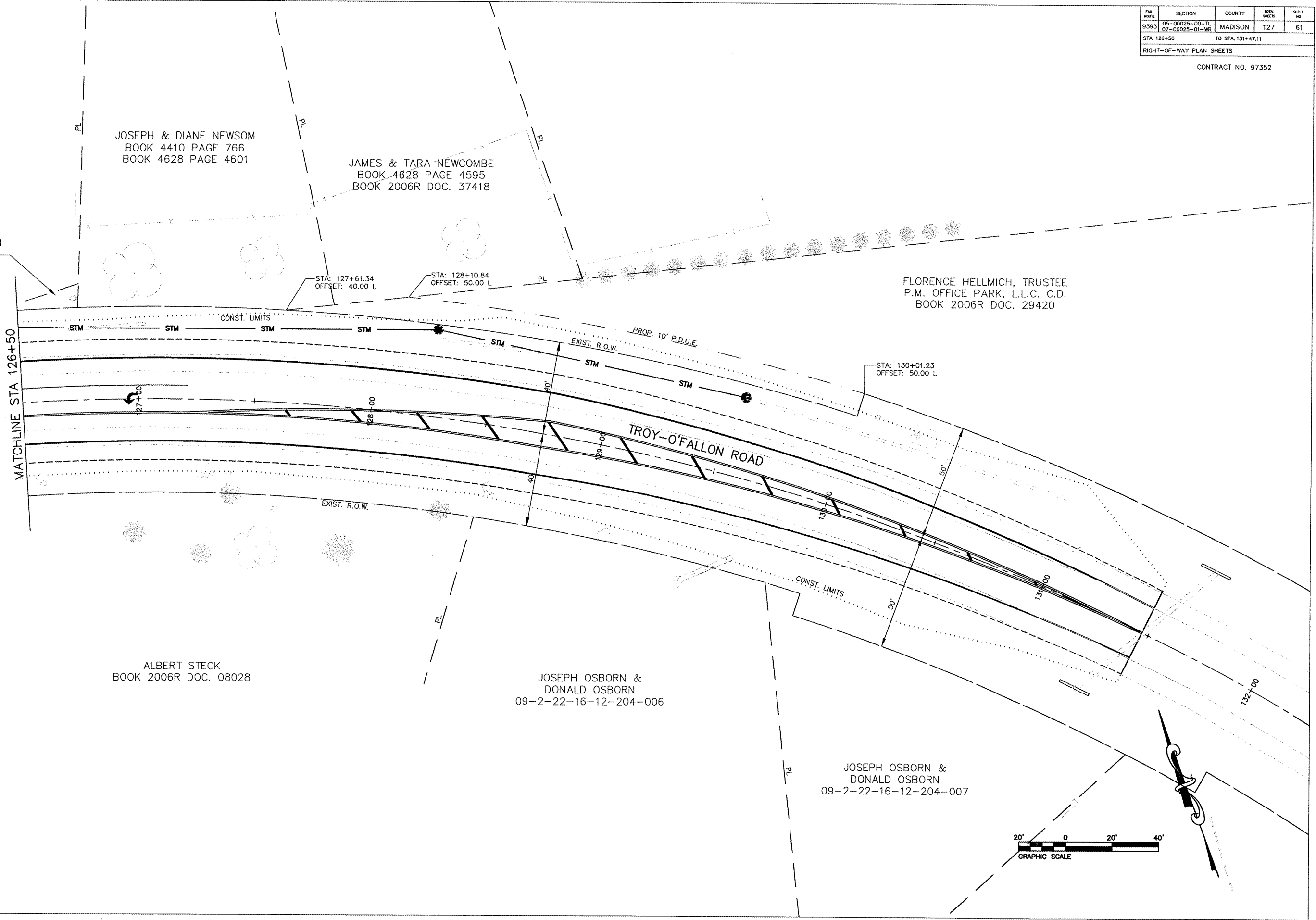
FLORENCE HELLMICH, TRUSTEE
P.M. OFFICE PARK, L.L.C. C.D.
BOOK 2006R DOC. 29420

ALBERT STECK
BOOK 2006R DOC. 08028

JOSEPH OSBORN &
DONALD OSBORN
09-2-22-16-12-204-006

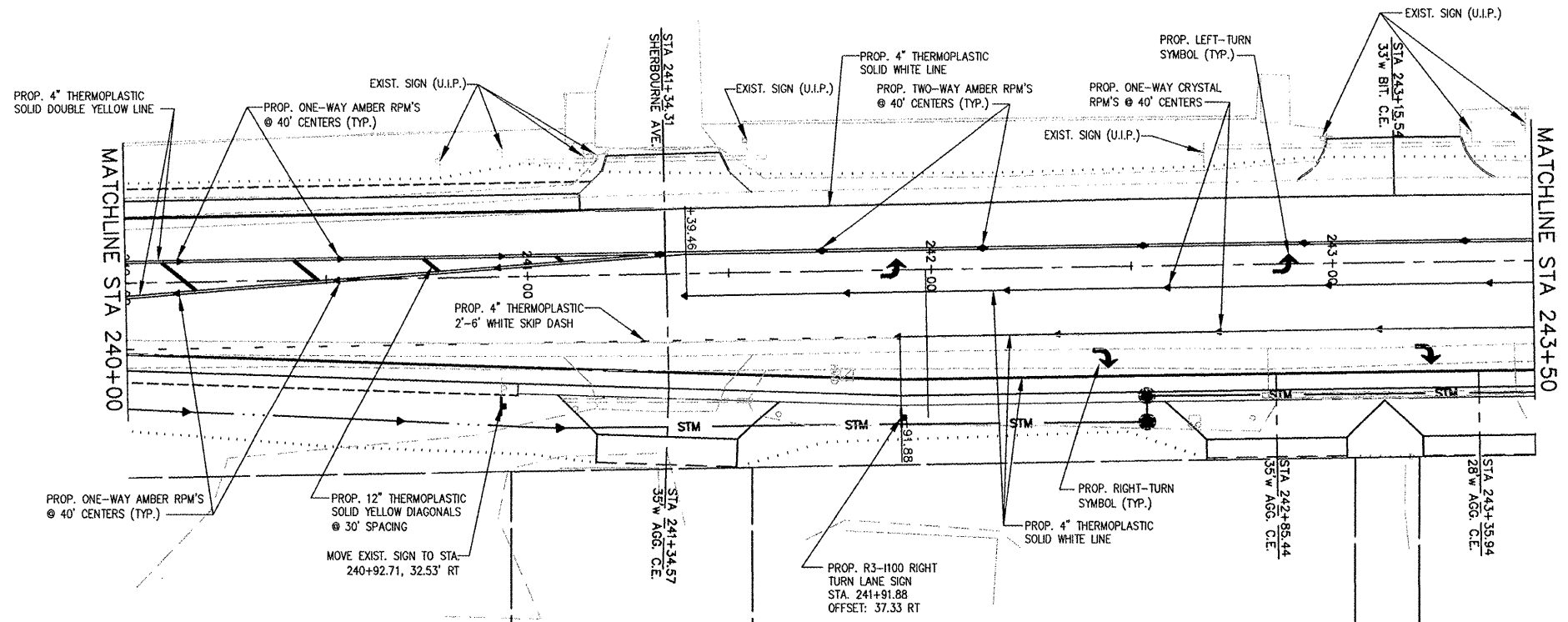
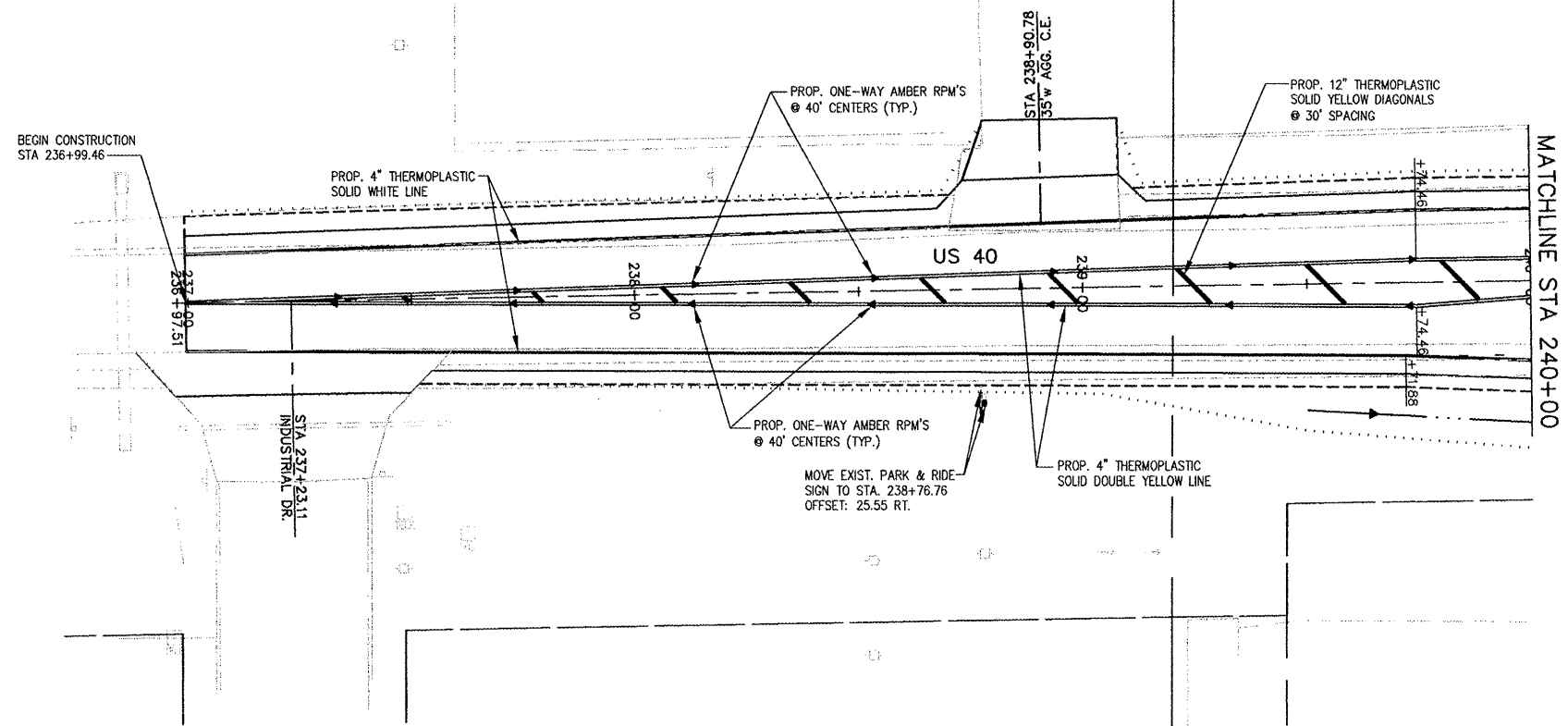
JOSEPH OSBORN &
DONALD OSBORN
09-2-22-16-12-204-007

MATCHLINE STA 126+50



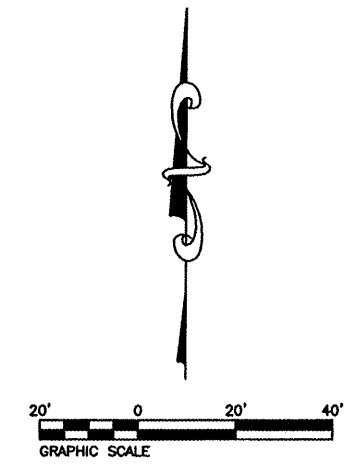
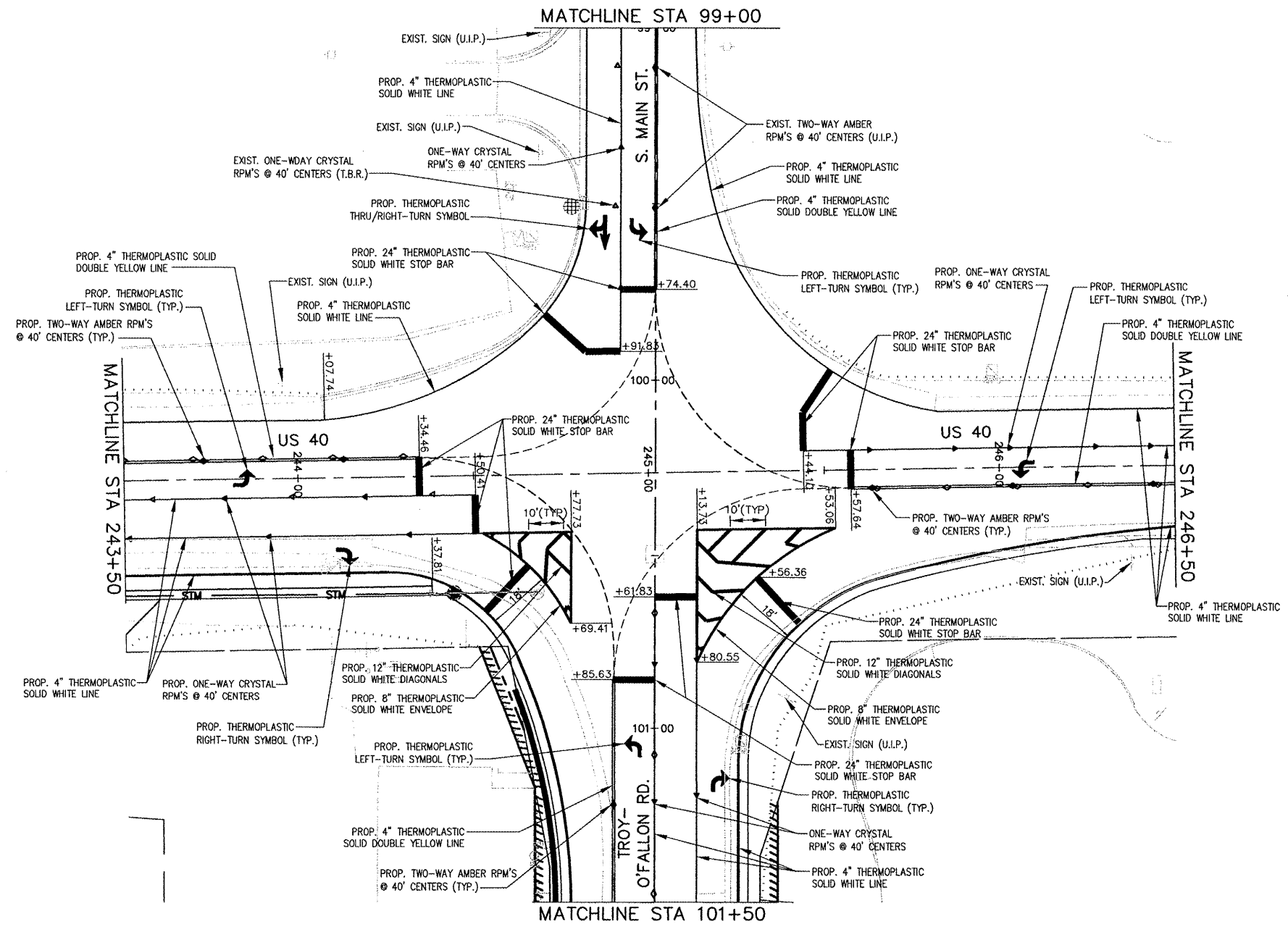
FAP ROUTE	SECTION	COUNTY	TOTAL SHEETS	SHEET NO.
793	05-00025-00-TL 07-00036-01-WR	MADISON	127	62
STA. 236+99.46		TO STA. 243+50		
PAVEMENT MARKING AND SIGNAGE PLAN				

CONTRACT NO. 97352



MAP ROUTE	SECTION	COUNTY	TOTAL SHEETS	SHEET NO.
793	05-00025-00-TL L07-00025-01-WR	MADISON	127	63
STA. 243+50/99+00		TO STA. 246+50/101+50		
PAVEMENT MARKING AND SIGNAGE PLAN				

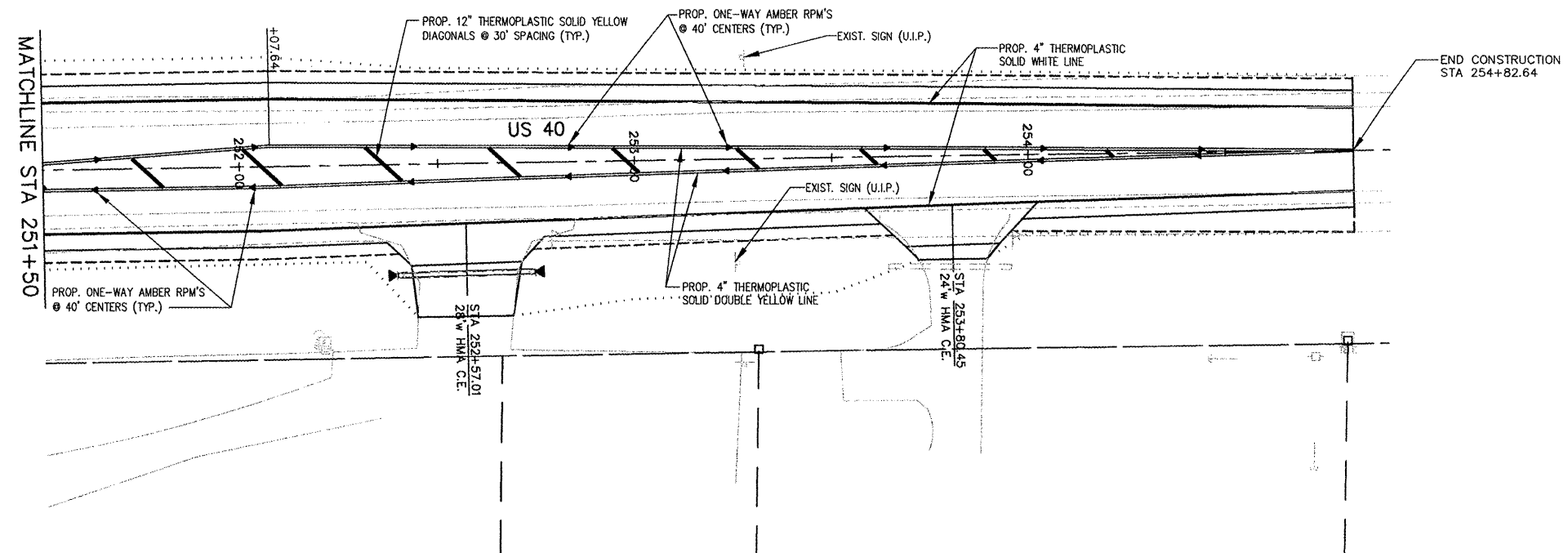
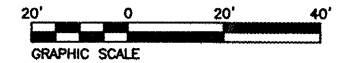
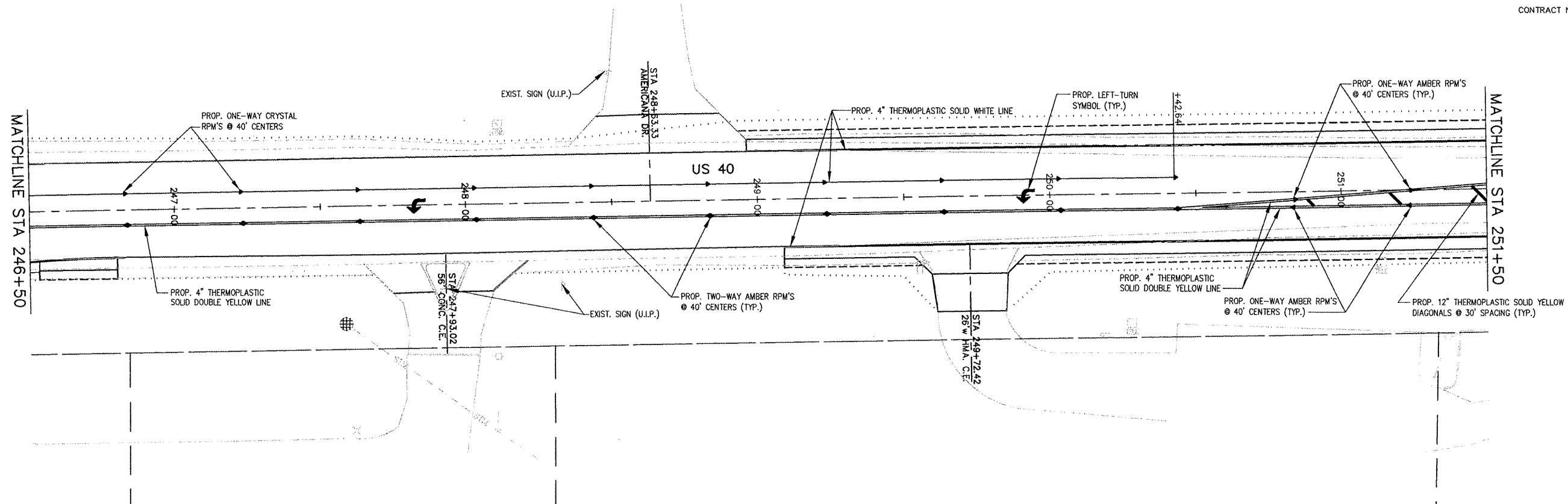
CONTRACT NO. 97352



FAR ROUTE	SECTION	COUNTY	TOTAL SHEETS	SHEET NO.
793	05-00025-00-TL 07-00025-01-WR	MADISON	127	64
STA. 246+50		TO STA. 254+82.64		

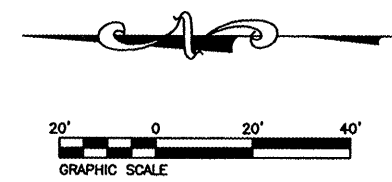
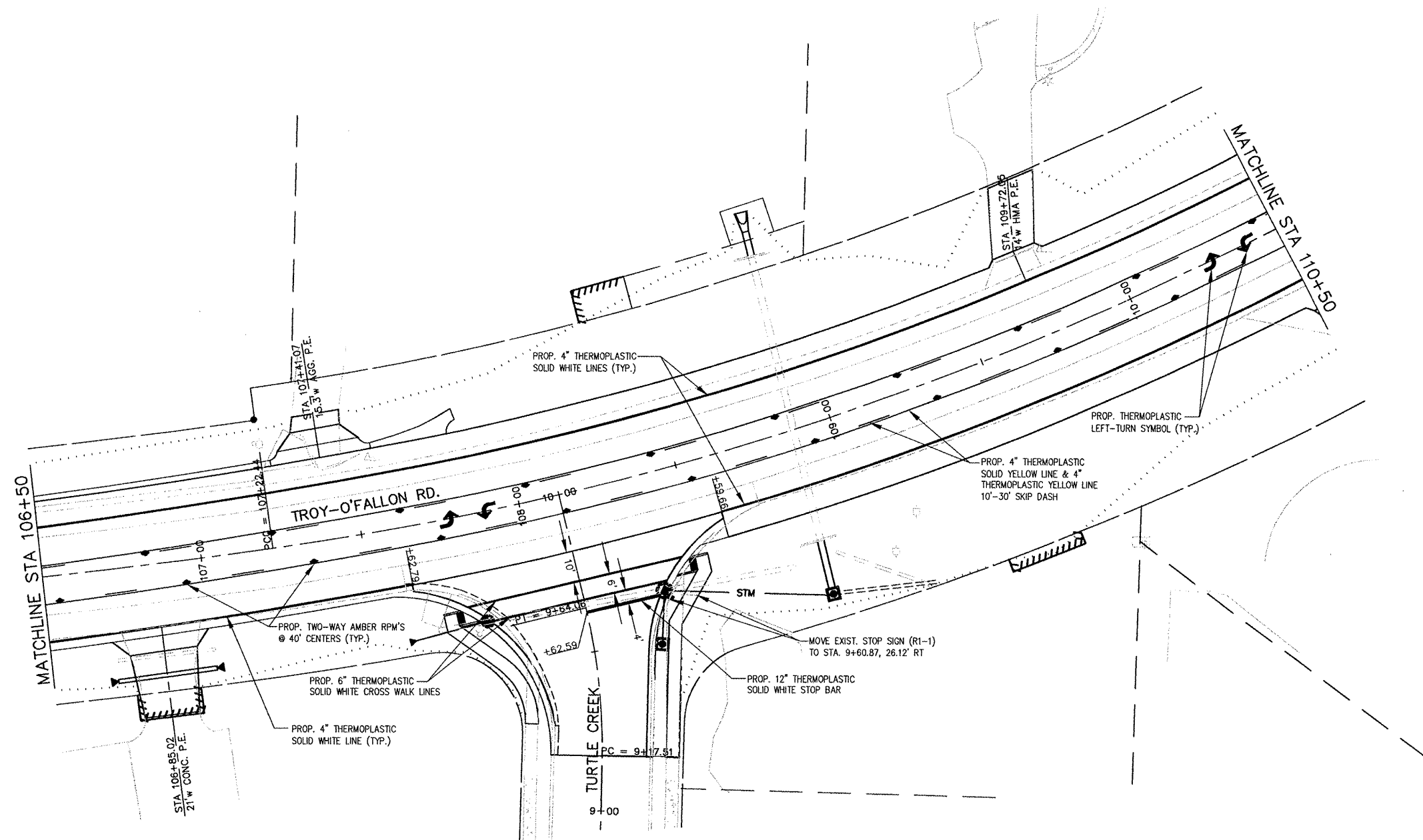
PAVEMENT MARKING AND SIGNAGE PLAN

CONTRACT NO. 97352



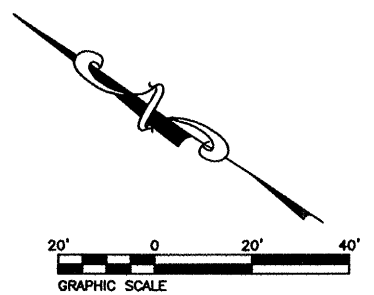
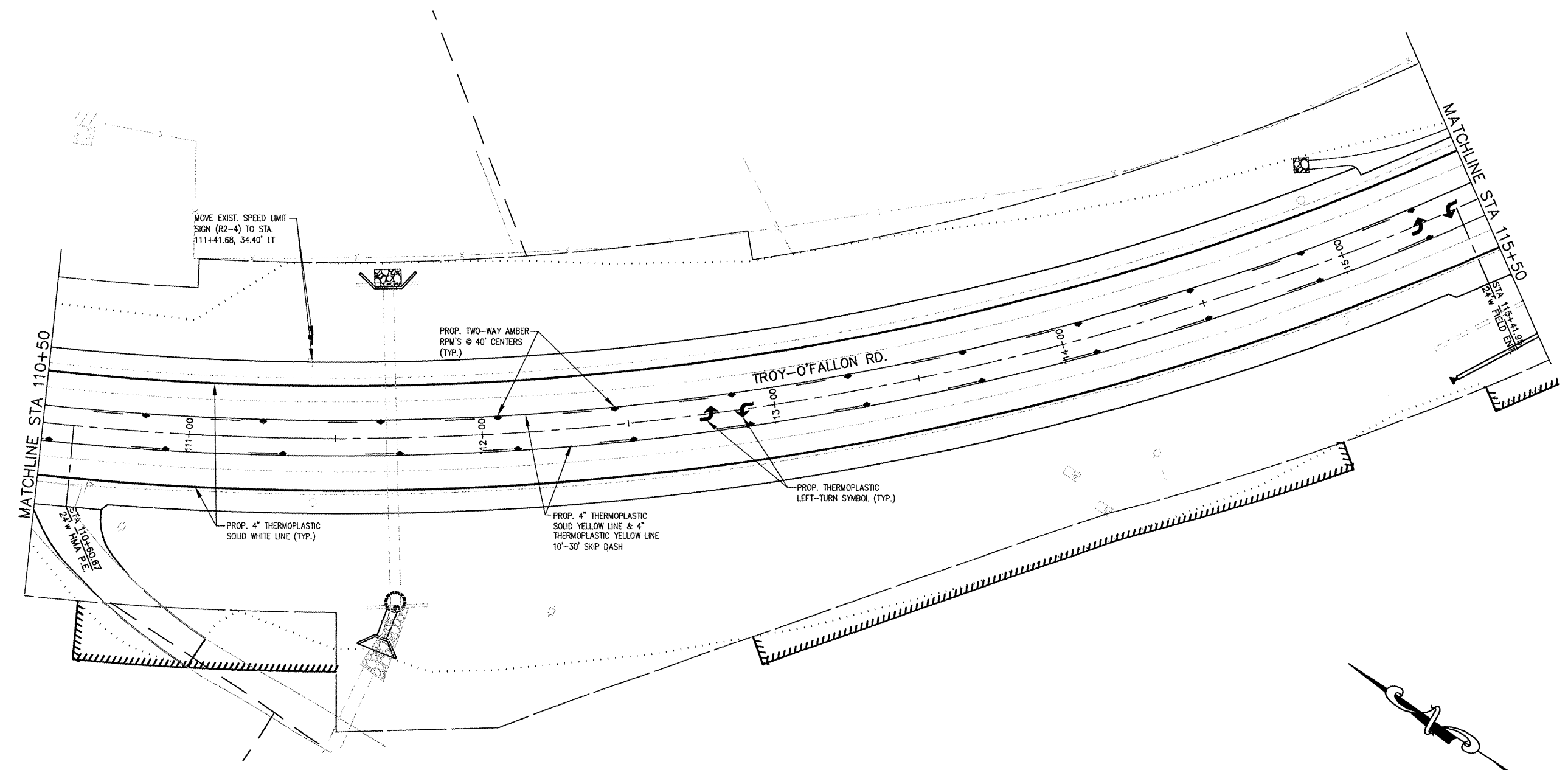
FILE NO.	SECTION	COUNTY	TOTAL SHEETS	SHEET NO.
9393	05-00025-00-TL 07-00025-01-WR	MADISON	127	66
STA. 106+50		TO STA. 110+50		
PAVEMENT MARKING AND SIGNAGE PLAN				

CONTRACT NO. 97352



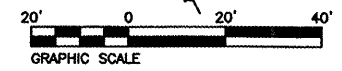
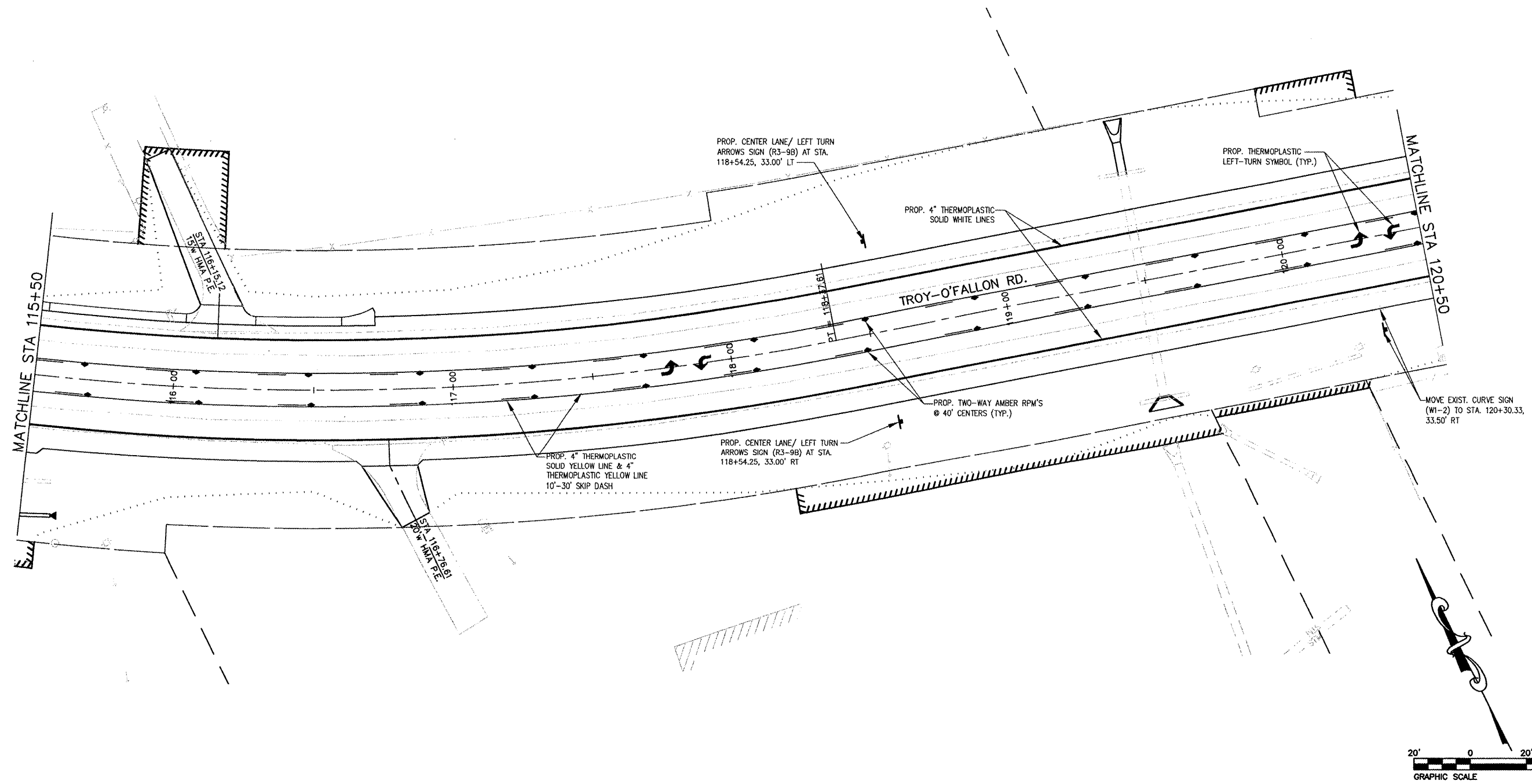
FILE NO.	SECTION	COUNTY	TOTAL SHEETS	SHEET NO.
9393	05-00025-00-TL 07-00025-01-WR	MADISON	127	67
STA. 110+50		TO STA. 115+50		
PAVEMENT MARKING AND SIGNAGE PLAN				

CONTRACT NO. 97352



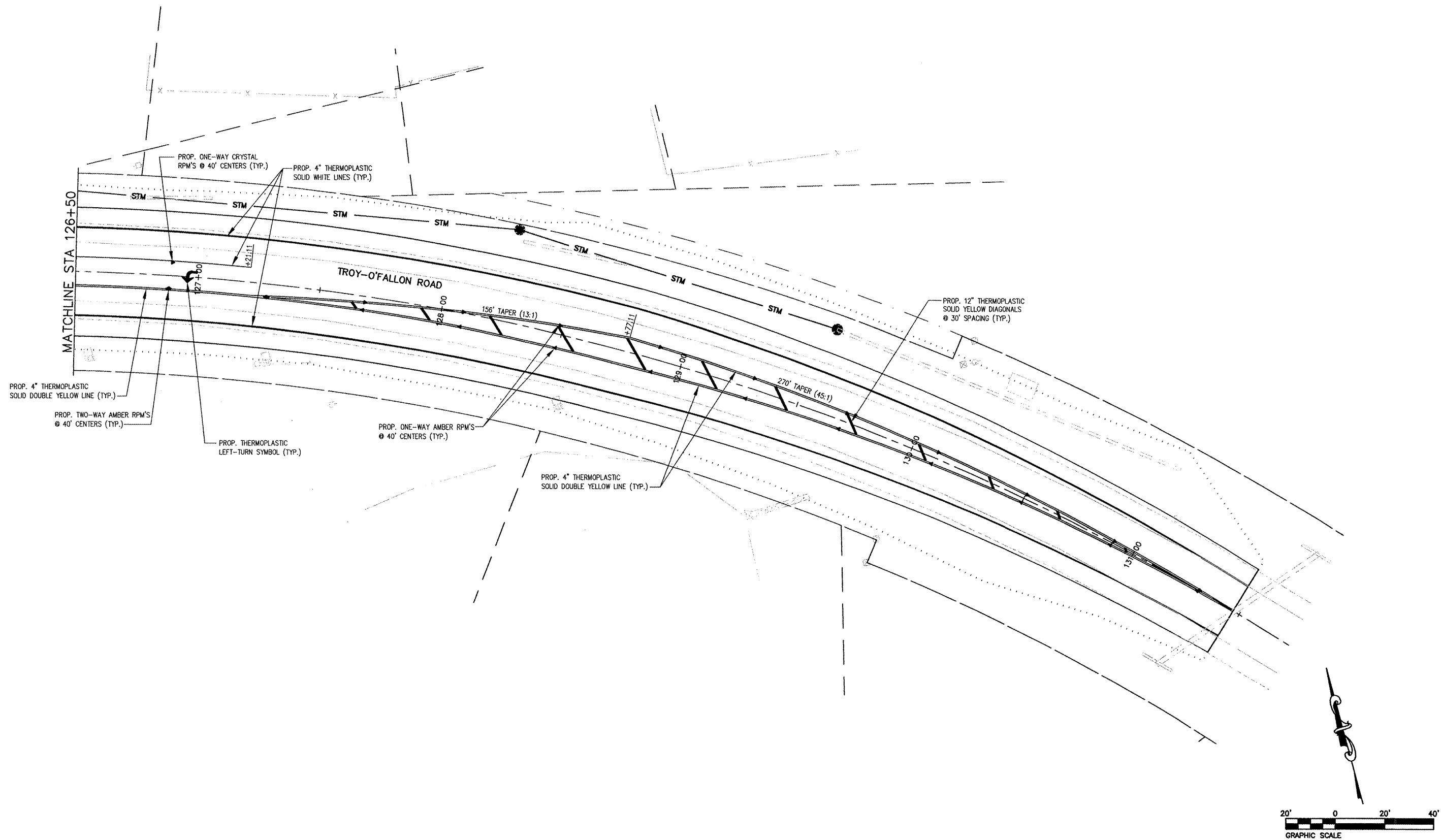
FA#	SECTION	COUNTY	TOTAL SHEETS	SHEET NO.
9393	05-00025-00-TL 07-00023-01-WR	MADISON	127	68
STA. 115+50		TO STA. 120+50		
PAVEMENT MARKING AND SIGNAGE PLAN				

CONTRACT NO. 97352



FILE NO.	SECTION	COUNTY	TOTAL SHEETS	SHEET NO.
9.393	05-00025-00-TL 07-00025-01-WR	MADISON	127	70
STA. 126+50		TO STA. 131+47.11		
PAVEMENT MARKING AND SIGNAGE PLAN				

CONTRACT NO. 97352



FAP NO./REV.	SECTION	COUNTY	TOTAL SHEETS	SHEET NO.
793	05-00025-00-TL 07-00025-01-WR	MADISON	127	71
STA.	TO STA.			
TRAFFIC SIGNAL PLANS				

CONTRACT NO. 97352

SUMMARY OF QUANTITIES

CODE NO	ITEM	UNIT	QTY
72000100	SIGN PANEL--TYPE 1	SQ FT	10
81012300	CONDUIT IN TRENCH, 1" DIA., PVC	FOOT	90
81012500	CONDUIT IN TRENCH, 1 1/2" DIA., PVC	FOOT	405
81012600	CONDUIT IN TRENCH, 2" DIA., PVC	FOOT	56
81012700	CONDUIT IN TRENCH, 2 1/2" DIA., PVC	FOOT	21
81012800	CONDUIT IN TRENCH, 3" DIA., PVC	FOOT	10
81021340	CONDUIT PUSHED, 2 1/2", DIA., PVC	FOOT	104
81030100	CONDUIT SPLICE	EACH	2
81400700	HANDHOLE, PORTLAND CEMENT CONCRETE	EACH	5
81900200	TRENCH AND BACKFILL FOR ELECTRICAL WORK	FOOT	572
81900500	TRENCH AND BACKFILL WITH SCREENINGS AND/OR SAND	FOOT	10
85000200	MAINTENANCE OF EXISTING TRAFFIC SIGNAL INSTALLATION	EACH	1
87301245	ELECTRIC CABLE IN CONDUIT, SIGNAL NO. 14 5C	FOOT	1,184
87301255	ELECTRIC CABLE IN CONDUIT, SIGNAL NO. 14 7C	FOOT	661
87301305	ELECTRIC CABLE IN CONDUIT, LEAD-IN, NO. 14 1 PAIR	FOOT	3,158
87800415	CONCRETE FOUNDATION, TYPE E 36-INCH DIAMETER	FOOT	15
87900200	DRILL EXISTING HANDHOLE	EACH	3
88040160	SIGNAL HEAD, POLYCARBONATE, LED, 1-FACE, 5-SECTION, MAST ARM MOUNTED	EACH	2
88200300	TRAFFIC SIGNAL BACKPLATE, PLASTIC	EACH	2
88500520	INDUCTION LOOP DETECTOR AMPLIFIER WITH CALL DELAY AND CALL CARRY-OVER, DIGITAL DESIGN	EACH	7
88600100	DETECTOR LOOP, TYPE 1	FOOT	1,601
89500100	RELOCATE EXISTING SIGNAL HEAD	EACH	2
89501300	RELOCATE EXISTING MAST ARM ASSEMBLY AND POLE	EACH	1
89502200	MODIFY EXISTING CONTROLLER	EACH	1
89502300	REMOVE ELECTRIC CABLE FROM CONDUIT	FOOT	3,184
89502380	REMOVE EXISTING HANDHOLE	EACH	4
89502385	REMOVE EXISTING CONCRETE FOUNDATION	EACH	1
89502800	DISPOSITION OF SALVAGED TRAFFIC SIGNAL EQUIPMENT	L SUM	1

STANDARDS

720001
720016-01
805001
814001-01
814006-01
873001-01
877001-03
878001-06
880006
886001
886006

ELECTRICAL GENERAL NOTES

- PROPOSED SIGNAL HEADS SHALL HAVE 12" L.E.D. SECTIONS. ALL MOUNTING HARDWARE SHALL BE UNPAINTED ALUMINUM. ALL BOLTS, SCREWS, NUTS, AND WASHERS SHALL BE STAINLESS STEEL. ANTI-SEIZE PASTE COMPOUND SHALL BE USED ON ALL MOUNTING HARDWARE FIELD CONNECTIONS.
- BACKPLATES SHALL BE ABS PLASTIC.
- THE LOCATION OF THE MAST ARM SUPPORTS SHALL BE APPROVED BY THE ENGINEER BEFORE FOUNDATIONS ARE CONSTRUCTED. MAST ARM POLES SHALL BE LOCATED A MINIMUM OF 10 FEET FROM THE EDGE OF PAVEMENT OR 2 FEET FROM THE EDGE OF SHOULDER, WHICHEVER DISTANCE IS GREATER. IN CURBED SECTIONS, THE MAST ARM POLES SHALL BE LOCATED A MINIMUM OF 5 FEET FROM THE FACE OF THE CURB. THESE DISTANCES ARE TO THE NEAR FACE OF THE MAST ARM POLE. ALL MAST ARMS AND POLES SHALL BE GALVANIZED.
- ALL TRAFFIC SIGNAL CABLES SHALL BE #14 AWG STRANDED COPPER UNLESS OTHERWISE SPECIFIED.
- THE LOCATION OF ALL DETECTOR LOOPS SHALL BE APPROVED BY THE ENGINEER BEFORE ANY SLOTS ARE SAWED IN THE PAVEMENT.
- DETECTOR LOOP LEAD-IN SPLICES SHALL BE MADE IN A HANDHOLE PER ARTICLE 873.03 OF THE STANDARD SPECIFICATIONS FOR ROAD AND BRIDGE CONSTRUCTION AND STANDARD DRAWING 886001. CONDUCTORS SHALL BE SPLICED IN A RIGID MOLD. ROSIN-CORE SOLDER SHALL BE USED.
- CALL DELAY SHALL NOT FUNCTION WHEN THE RELATED PHASES ARE IN THE GREEN MODE.
- ALL HANDHOLES SHALL BE CAST-IN-PLACE PORTLAND CEMENT CONCRETE (PER ARTICLE 814.03(B)). THE CAST IN PLACE LEGEND IN THE COVER SHALL BE "TRAFFIC SIGNALS". SLOPE HANDHOLE COVERS TO MATCH PROPOSED GRADE ELEVATIONS.
- ALL INDUCTIVE LOOP DETECTORS SUPPLIED FOR THIS PROJECT SHALL HAVE THE CAPACITY OF OPERATING WITH BOTH DELAY AND EXTENSION MODES ACTIVE. IF A TIME SETTING IS PROGRAMMED, THEY SHALL BE RACK MOUNTED.
- CABLE MARKING TAPE SHALL BE INCLUDED WITH THE PAY ITEM "TRENCH AND BACKFILL FOR ELECTRICAL WORK" AND INSTALLED PER ARTICLE 815.03(D) OF THE STANDARD SPECIFICATION FOR ROAD AND BRIDGE CONSTRUCTION.
- A 1/4" NYLON PULL ROPE SHALL BE FURNISHED AND INSTALLED IN ALL SIGNAL CONDUITS. THIS WORK SHALL BE INCLUDED WITH THE CONDUIT PAY ITEMS.
- ALL EXISTING TRAFFIC SIGNAL EQUIPMENT TO BE REMOVED SHALL REMAIN THE PROPERTY OF IDOT AND SHALL BE DELIVERED TO THEIR MAINTENANCE FACILITY LOCATED AT 9601 ST. CLAIR AVENUE, FAIRVIEW HEIGHTS.
- INSTALL DETECTOR LOOPS PRIOR TO FINAL ASPHALT SURFACE.
- ALL UTILITIES SHALL BE LOCATED IN THE FIELD PRIOR TO ANY ATTEMPT TO CONSTRUCT ANY COMPONENT OF THE VARIOUS TRAFFIC SIGNAL INSTALLATION. AGENCIES KNOWN TO HAVE UNDERGROUND FACILITIES WITHIN THE LIMITS OF THIS IMPROVEMENT ARE THE FOLLOWING:

GAS/ELECTRIC
AMERENIP
2600 N. CENTER ST.
MARYVILLE, IL 62062
(618)-346-1236

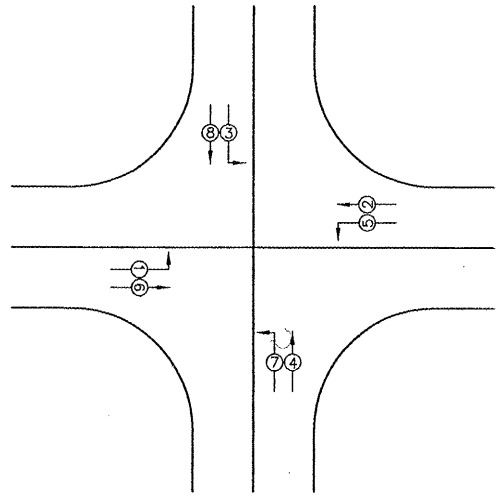
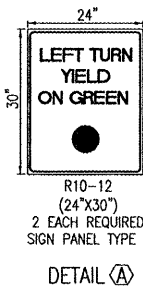
TELEPHONE
AT&T
203 GOETHE
COLLINSVILLE, IL 62234
(800)-244-4444

CABLE
CHARTER COMMUNICATIONS
508 NIAGARA STREET
EAST ALTON, IL 62024
(618)-779-4179

WATER
CITY OF TROY
116 EAST MARKET STREET
TROY, IL 62294
(618)-667-9924

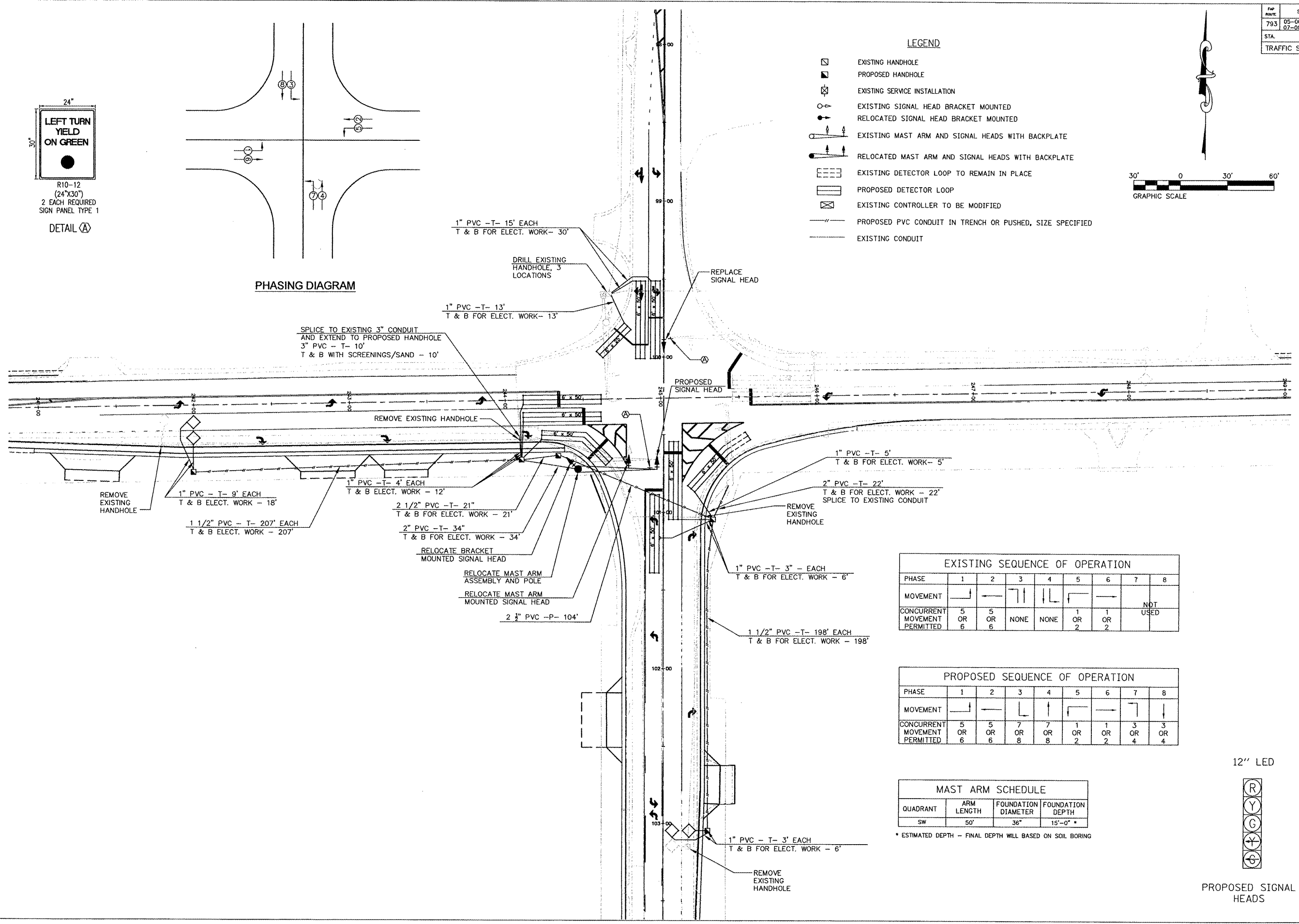
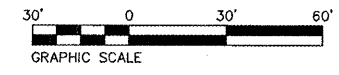
FAP NO.	SECTION	COUNTY	TOTAL SHEETS	SHEET NO.
793	05-00025-00-TL 07-00025-01-WR	MADISON	127	72
STA. TO STA.		TRAFFIC SIGNAL PLANS		

CONTRACT NO. 97352



LEGEND

- ◻ EXISTING HANDHOLE
- ◻ PROPOSED HANDHOLE
- ◻ EXISTING SERVICE INSTALLATION
- EXISTING SIGNAL HEAD BRACKET MOUNTED
- RELOCATED SIGNAL HEAD BRACKET MOUNTED
- EXISTING MAST ARM AND SIGNAL HEADS WITH BACKPLATE
- RELOCATED MAST ARM AND SIGNAL HEADS WITH BACKPLATE
- EXISTING DETECTOR LOOP TO REMAIN IN PLACE
- PROPOSED DETECTOR LOOP
- ◻ EXISTING CONTROLLER TO BE MODIFIED
- PROPOSED PVC CONDUIT IN TRENCH OR PUSHED, SIZE SPECIFIED
- EXISTING CONDUIT



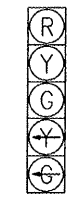
PHASE	1	2	3	4	5	6	7	8
MOVEMENT	←	→	↑	↓	←	→	↑	↓
CONCURRENT MOVEMENT PERMITTED	5 OR 6	5 OR 6	NONE	NONE	1 OR 2	1 OR 2	3 OR 4	NOT USED

PHASE	1	2	3	4	5	6	7	8
MOVEMENT	←	→	↑	↓	←	→	↑	↓
CONCURRENT MOVEMENT PERMITTED	5 OR 6	5 OR 6	7 OR 8	7 OR 8	1 OR 2	1 OR 2	3 OR 4	3 OR 4

QUADRANT	ARM LENGTH	FOUNDATION DIAMETER	FOUNDATION DEPTH
SW	50'	36"	15'-0" *

* ESTIMATED DEPTH -- FINAL DEPTH WILL BE BASED ON SOIL BORING

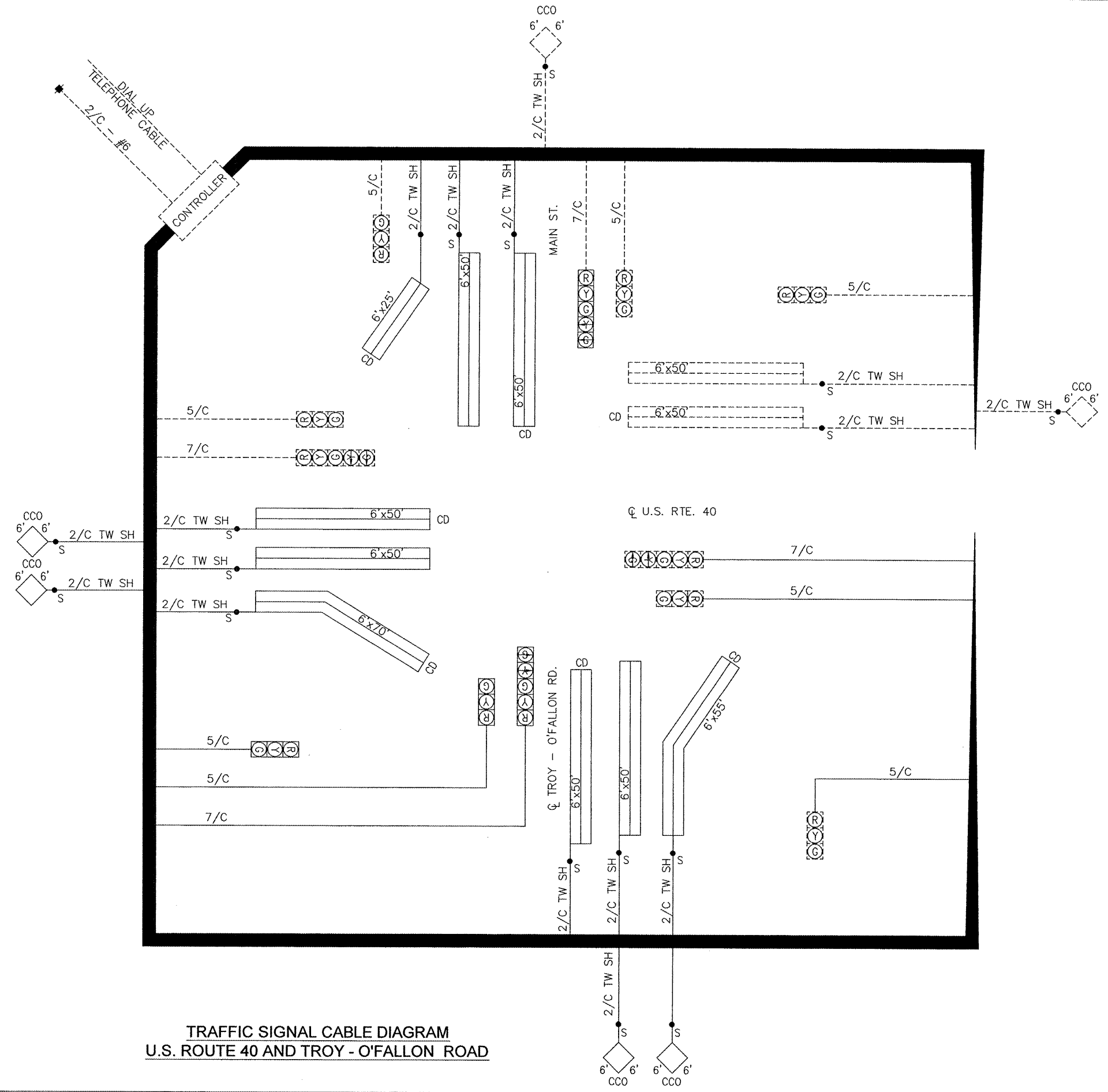
12" LED



APP. NO.	SECTION	COUNTY	TOTAL SHEETS	SHEET NO.
793	05-00025-00-TL 07-00025-01-WR	MADISON	127	73
STA. TO STA.				

TRAFFIC SIGNAL PLANS

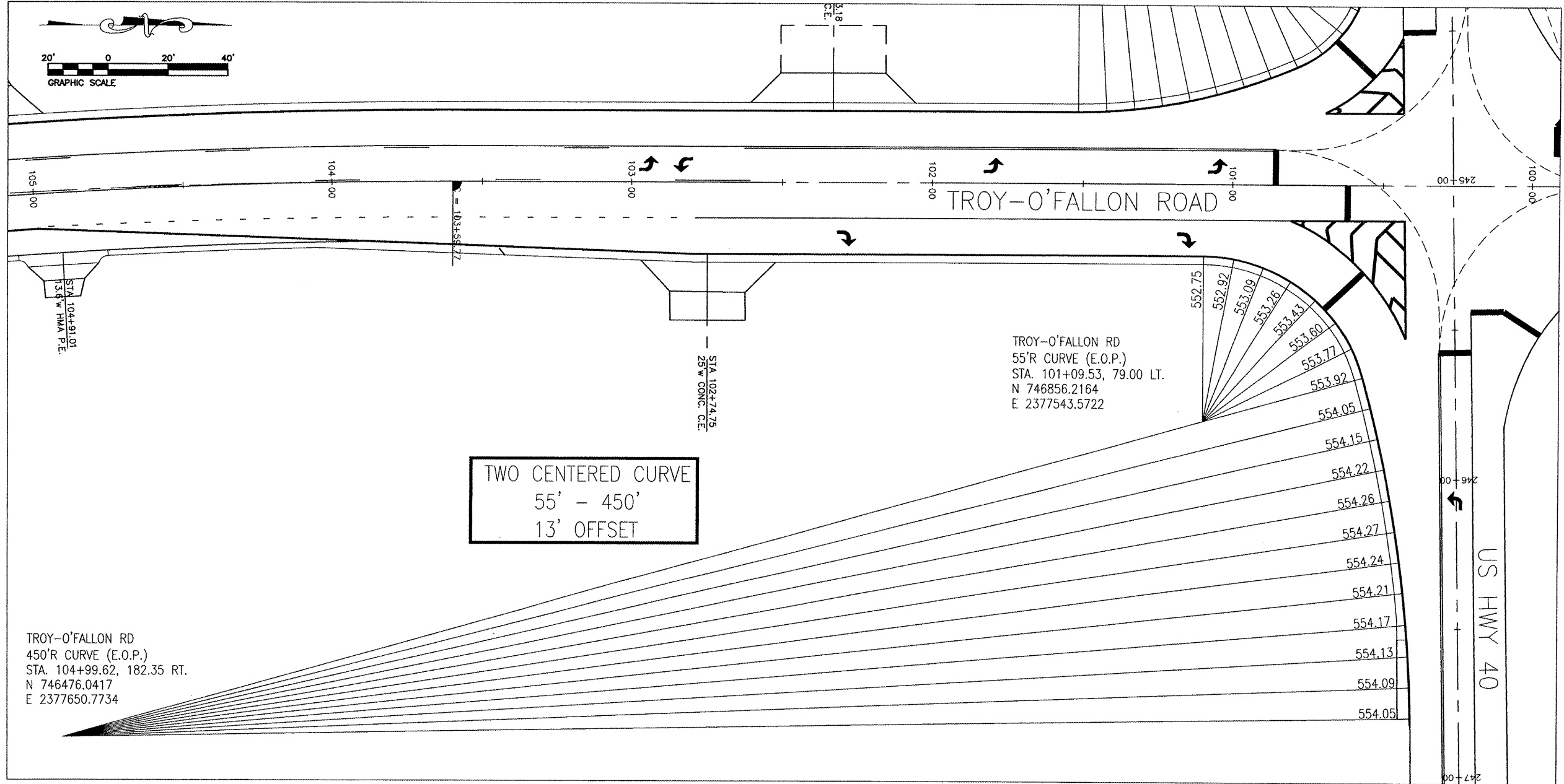
CONTRACT NO. 97352



TRAFFIC SIGNAL CABLE DIAGRAM
U.S. ROUTE 40 AND TROY - O'FALLON ROAD

FAP NO./REV.	SECTION	COUNTY	TOTAL SHEETS	SHEET NO.
733 9393	05-00025-03-TL 07-00025-01-WR	MADISON	127	74
STA.	TO STA.			
INTERSECTION WARPING DETAILS				

CONTRACT NO. 97352



TROY-O'FALLON RD
450'R CURVE (E.O.P.)
STA. 104+99.62, 182.35 RT.
N 746476.0417
E 2377650.7734

TWO CENTERED CURVE
55' - 450'
13' OFFSET

TROY-O'FALLON RD
55'R CURVE (E.O.P.)
STA. 101+09.53, 79.00 LT.
N 746856.2164
E 2377543.5722

NOTE: ALL ELEVATIONS
ARE GIVEN AT THE
EDGE OF PAVEMENT

REVISIONS	NAME	DATE

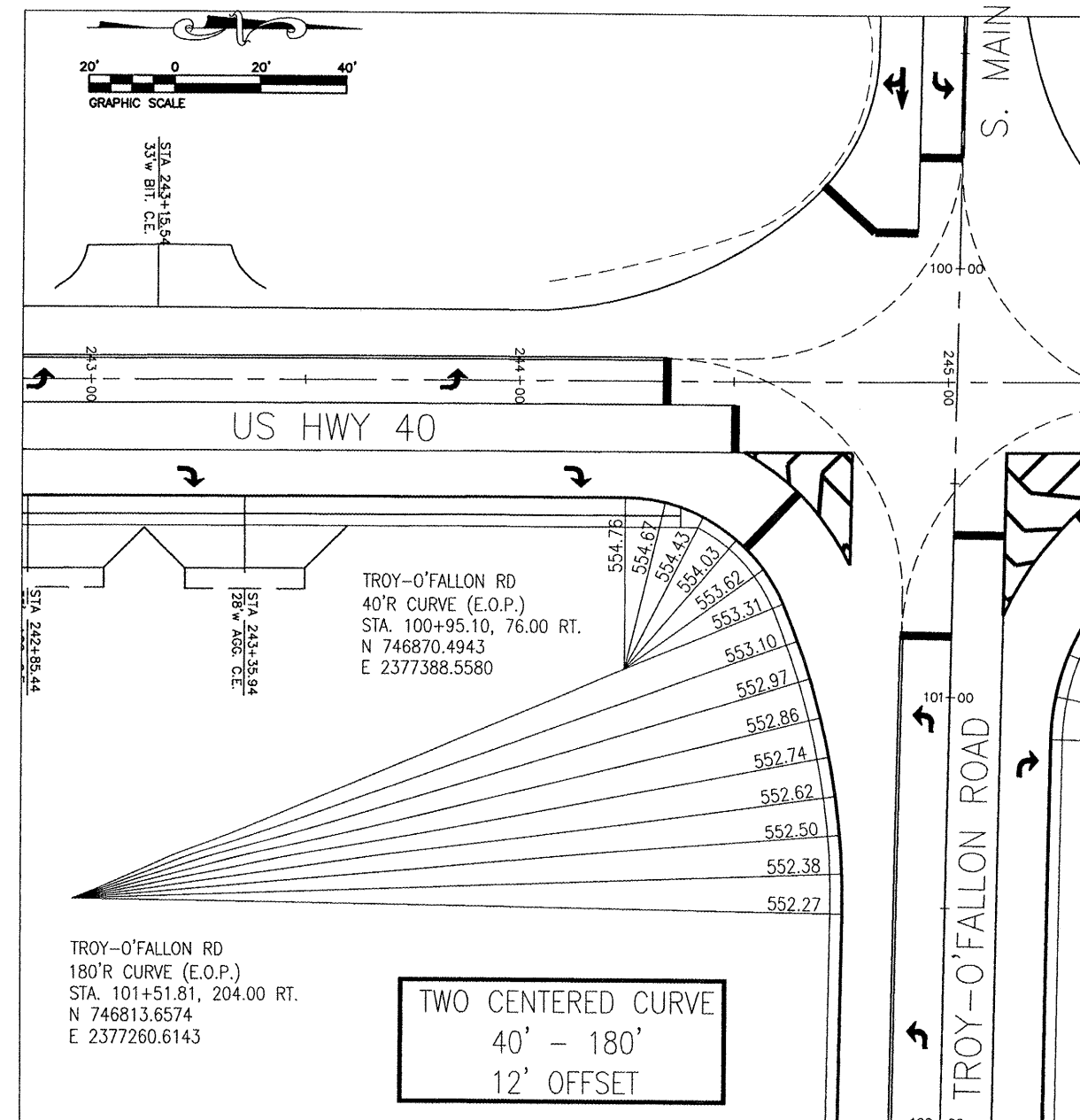
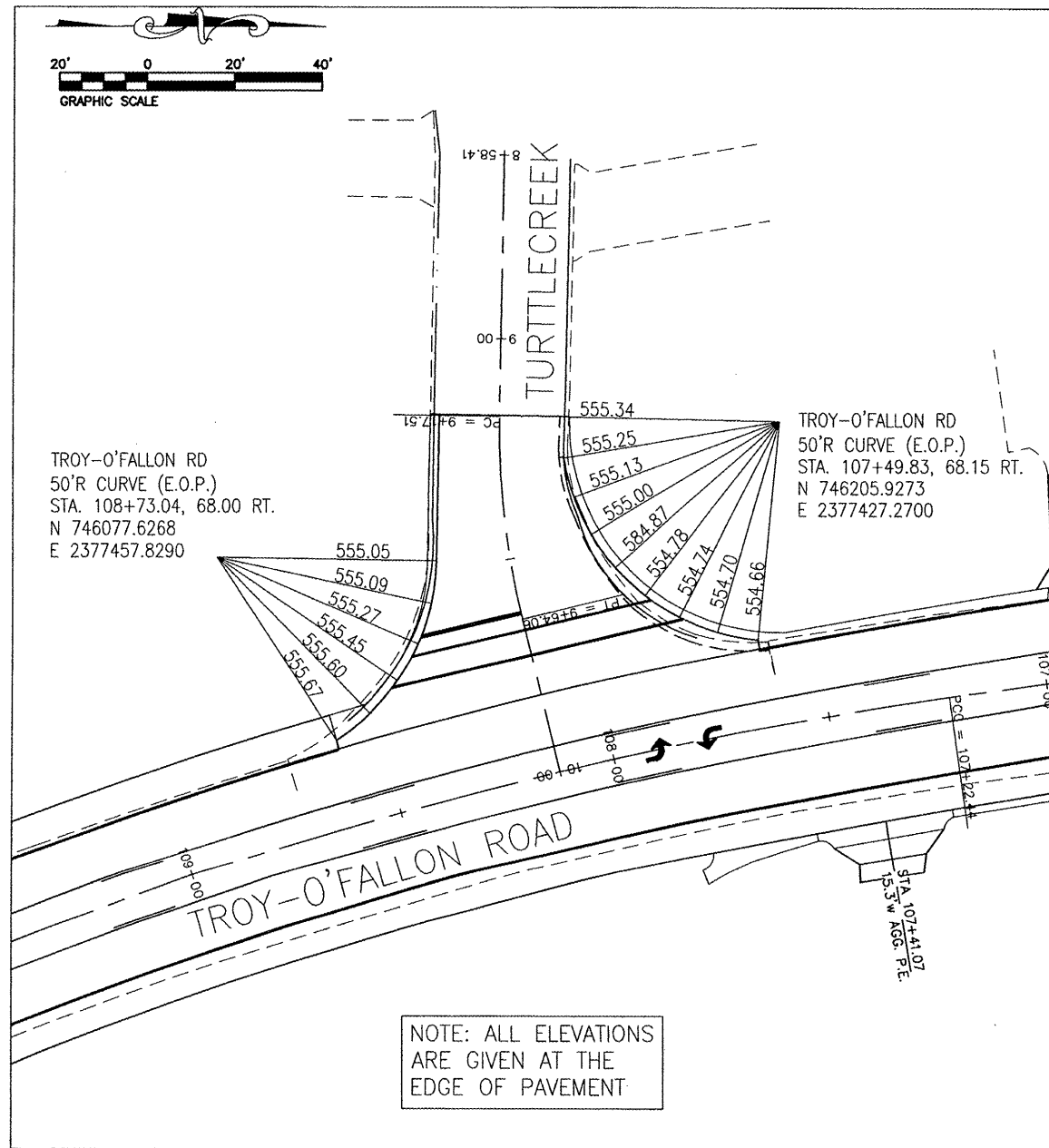
INTERSECTION WARPING
DETAILS

US 40 & TROY-O'FALLON ROAD
IMPROVEMENTS
CITY OF TROY
MADISON COUNTY, ILLINOIS

PLANVIEW/INTERSECTION WARPING/07/2008 - 5/14/08 - 5/14/08 - 5/14/08

FAP ROUTE	SECTION	COUNTY	TOTAL SHEETS	SHEET NO
7933	06-00025-03-RL	MADISON	127	75
9393	07-00025-01-WR			
STA.	TO STA.			
INTERSECTION WARPING DETAILS				

CONTRACT NO. 97352



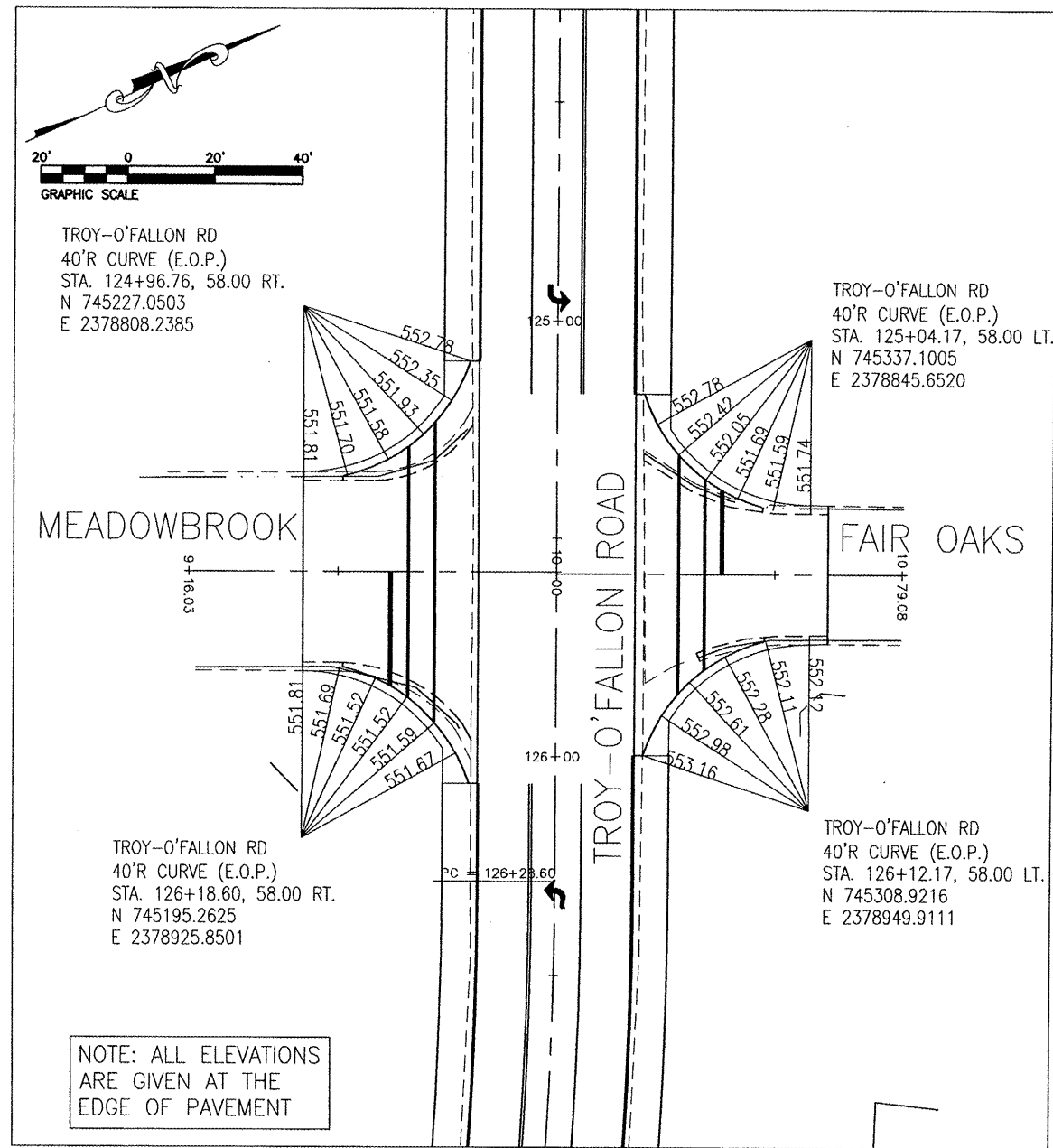
REVISIONS	
NAME	DATE

INTERSECTION WARPING
DETAILS

US 40 & TROY-O'FALLON ROAD
IMPROVEMENTS
CITY OF TROY
MADISON COUNTY, ILLINOIS

FAP NO.	SECTION	COUNTY	TOTAL SHEETS	SHEET NO.
793 9393	05-00025-00-TL 07-00025-01-WR	MADISON	127	76
STA.	TO STA.			
INTERSECTION WARPING DETAILS				

CONTRACT NO. 97352



REVISIONS	
NAME	DATE

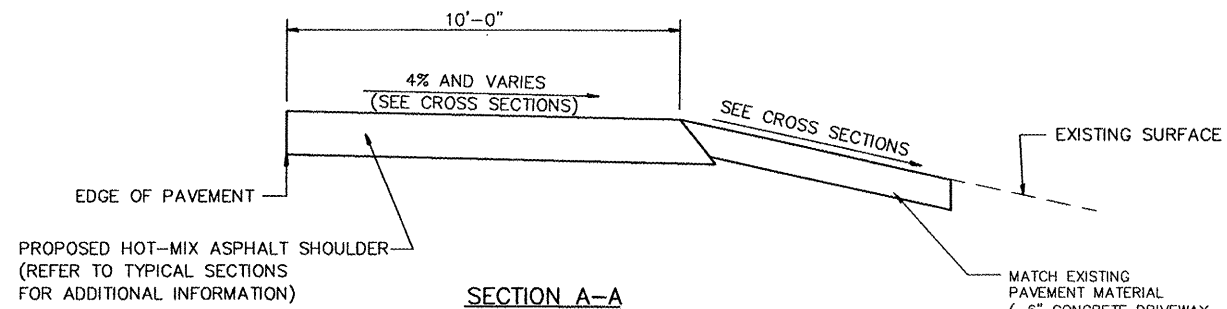
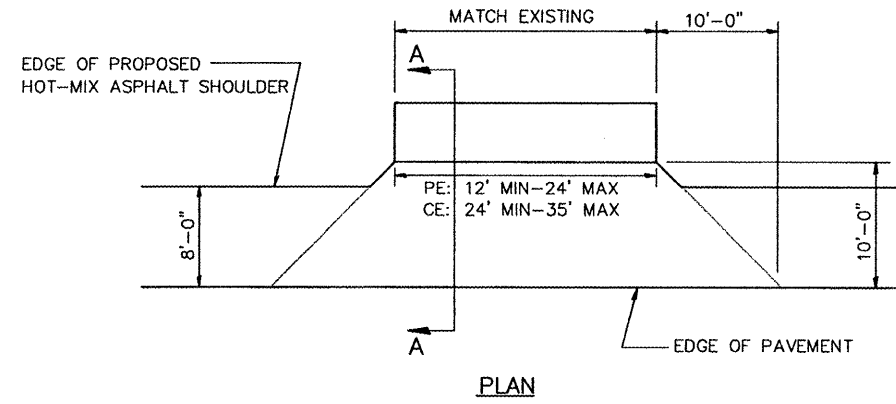
INTERSECTION WARPING
DETAILS

US 40 & TROY-O'FALLON ROAD
IMPROVEMENTS
CITY OF TROY
MADISON COUNTY, ILLINOIS

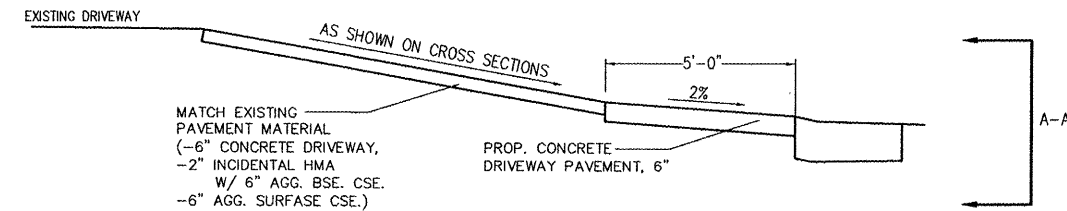
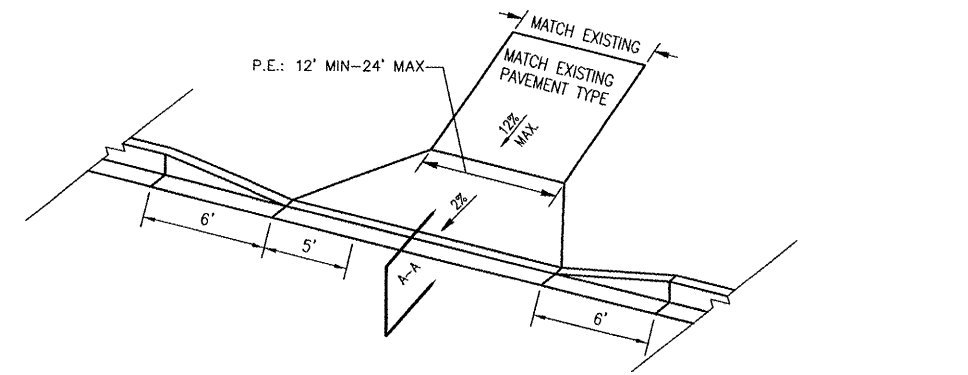
P:\GIS\GIS\PROJECTS\97352\97352.dwg 7/2/2008 3:52:21 PM

APP. NO.	SECTION	COUNTY	TOTAL SHEETS	SHEET NO.
793 9392	05-00025-00-TL 07-00025-01-WR	MADISON	127	77
STA.		TO STA.		

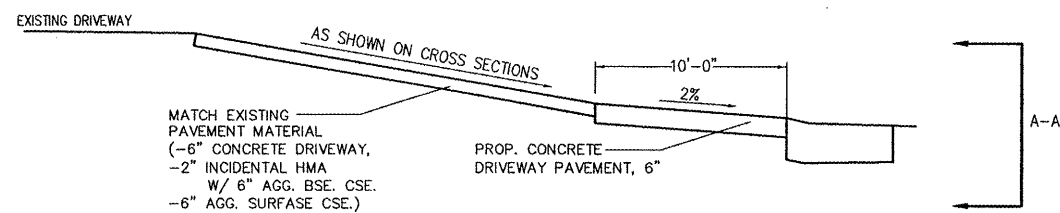
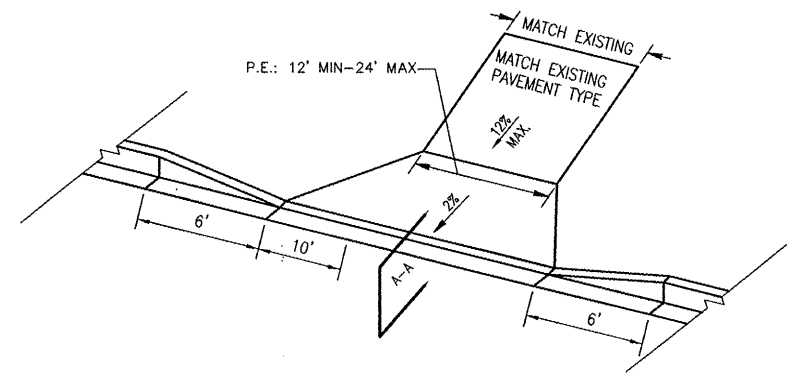
CONTRACT NO. 97352



**RURAL ENTRANCE
ADJACENT TO HMA SHOULDER**



**PRIVATE ENTRANCE
ADJACENT TO CURBS
AND GUTTERS**



**COMMERCIAL ENTRANCE
ADJACENT TO B-6.24 C&G**

P:\050162D\dwg\050162DETL01.dwg 4/16/2008 9:02:13 AM CDT

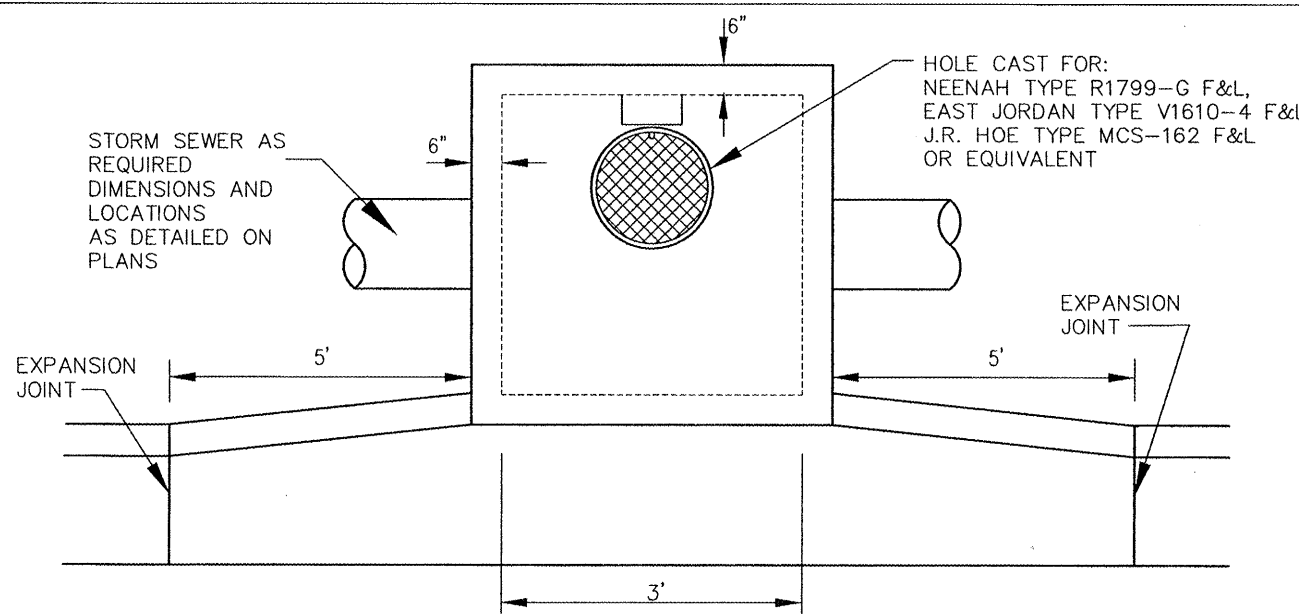
REVISIONS	
NAME	DATE

MISCELLANEOUS
DETAILS

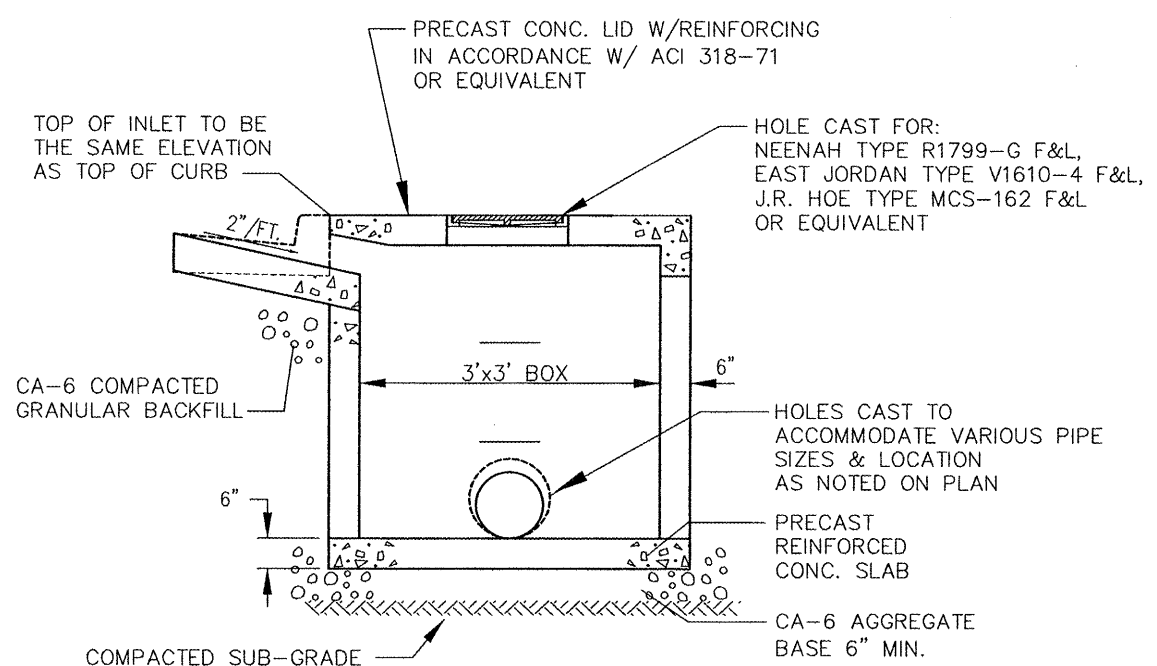
US 40 AND
TROY-O'FALLON ROAD IMPROVEMENTS
CITY OF TROY
MADISON COUNTY, ILLINOIS

P&P NO.	SECTION	COUNTY	TOTAL SHEETS	SHEET NO.
793 9392	05-00025-00-TL 07-00025-01-WR	MADISON	127	78
STA.		TO STA.		

CONTRACT NO. 97352



PLAN

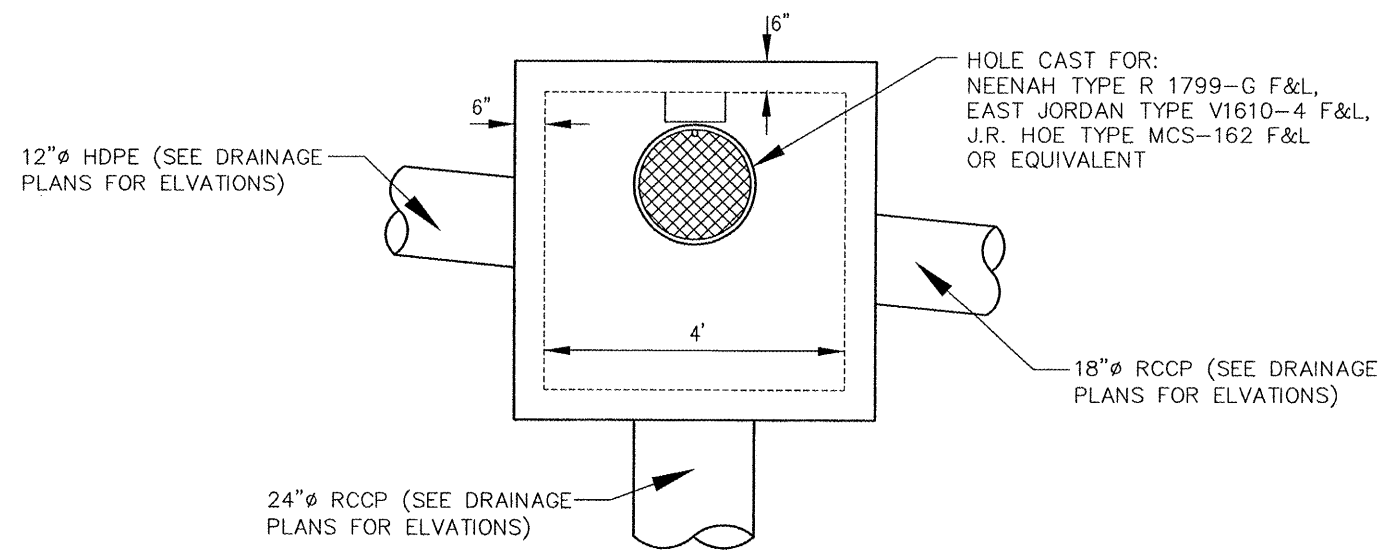
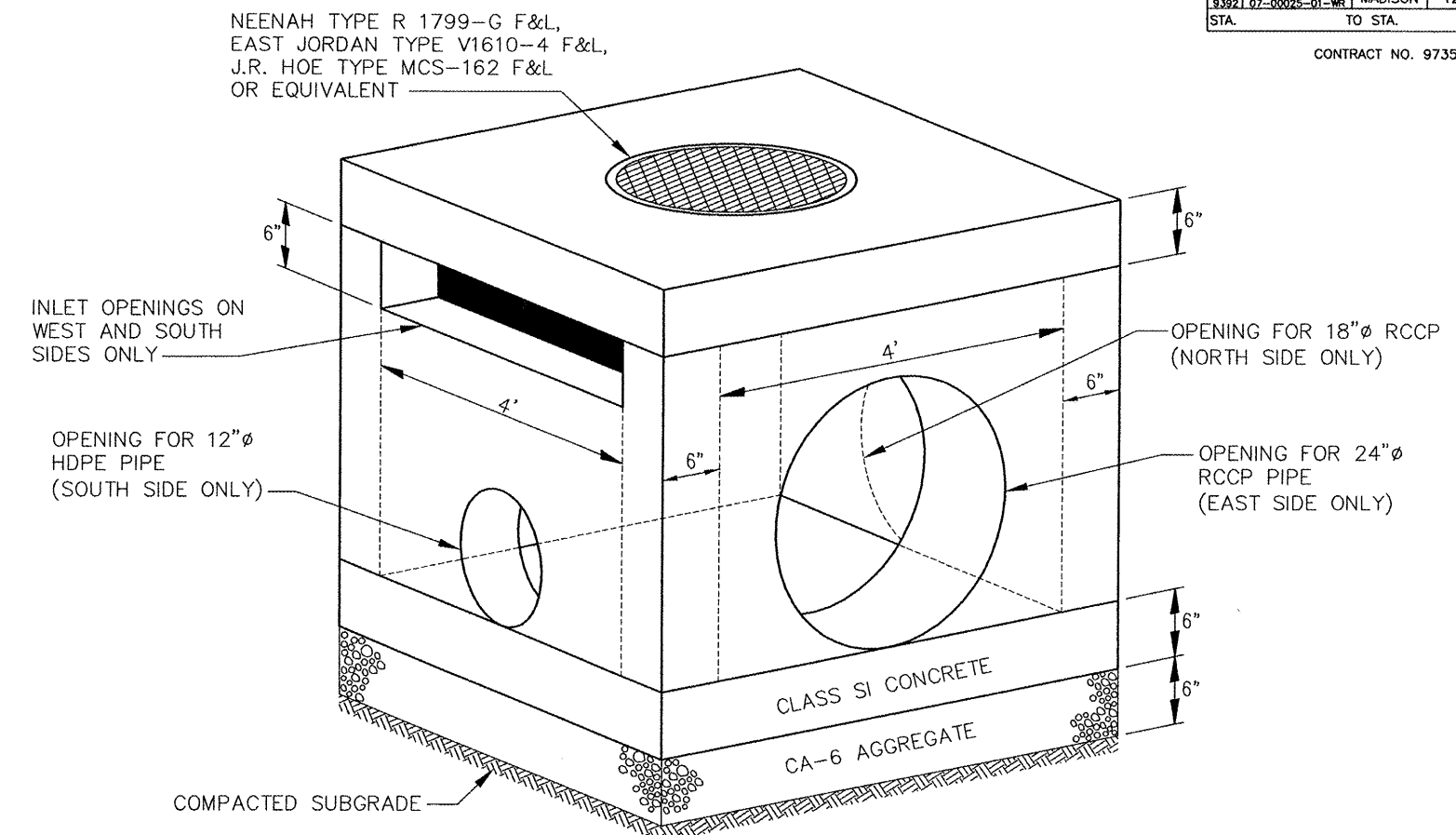


ELEVATION

SPECIFICATIONS:
PRE-CAST INLET SHALL CONFORM TO ASTM C-478

EXECUTION:
ALL WORK SHALL CONFORM TO ILLINOIS STANDARD SPECIFICATIONS FOR ROAD AND BRIDGE CONSTRUCTION.

TYPICAL OPEN THROAT INLET
INLET, SPECIAL #1
VARIOUS LOCATIONS



INLET, SPECIAL #2
STA 108+84.68 RT
TROY-O'FALLON ROAD

SPECIFICATIONS:
PRE-CAST INLET SHALL CONFORM TO ASTM C-478

EXECUTION:
ALL WORK SHALL CONFORM TO ILLINOIS STANDARD SPECIFICATIONS FOR ROAD AND BRIDGE CONSTRUCTION.

REVISIONS	
NAME	DATE

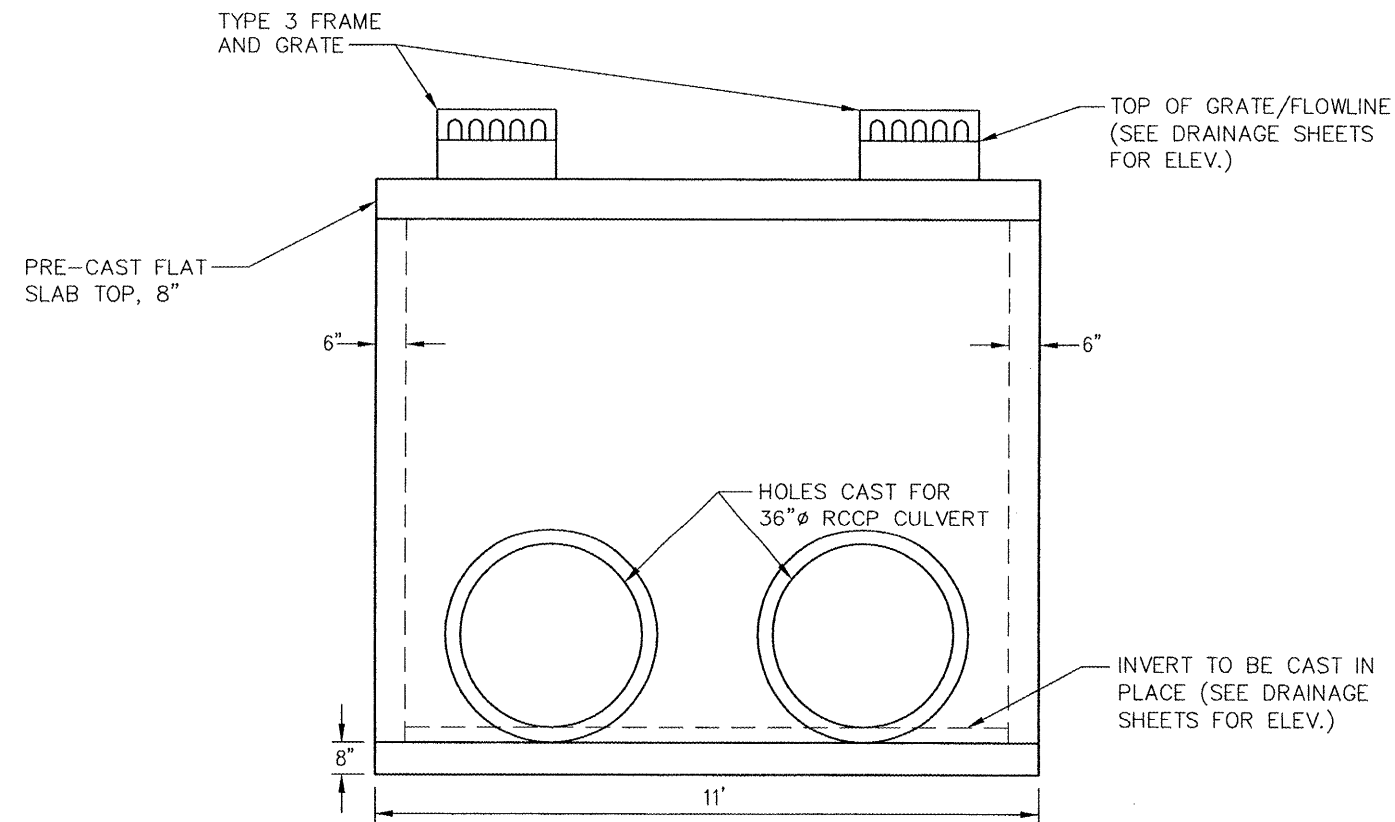
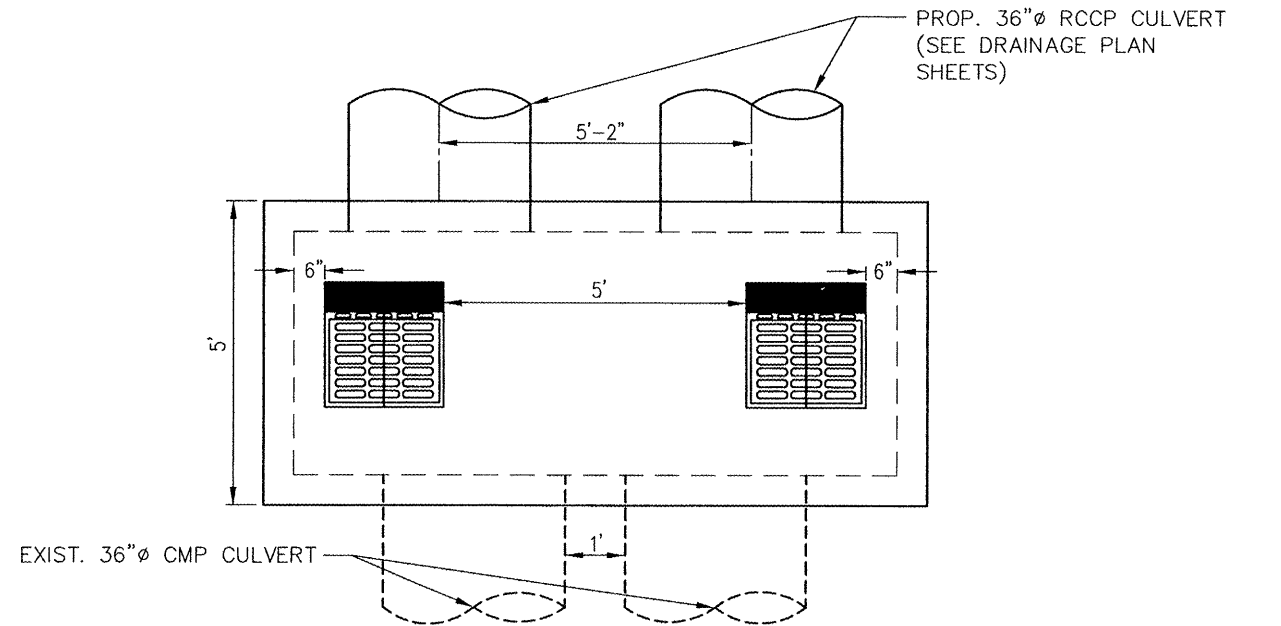
MISCELLANEOUS
DETAILS

US 40 AND
TROY-O'FALLON ROAD IMPROVEMENTS
CITY OF TROY
MADISON COUNTY, ILLINOIS

P:\050162D\dwg\050162DET1.01.dwg 4/16/2008 9:02:13 AM CDT

F&P ROUTE	SECTION	COUNTY	TOTAL SHEETS	SHEET NO
793 9392	05-00025-00-IL 07-00025-01-MR	MADISON	127	79
STA.		TO STA.		

CONTRACT NO. 97352

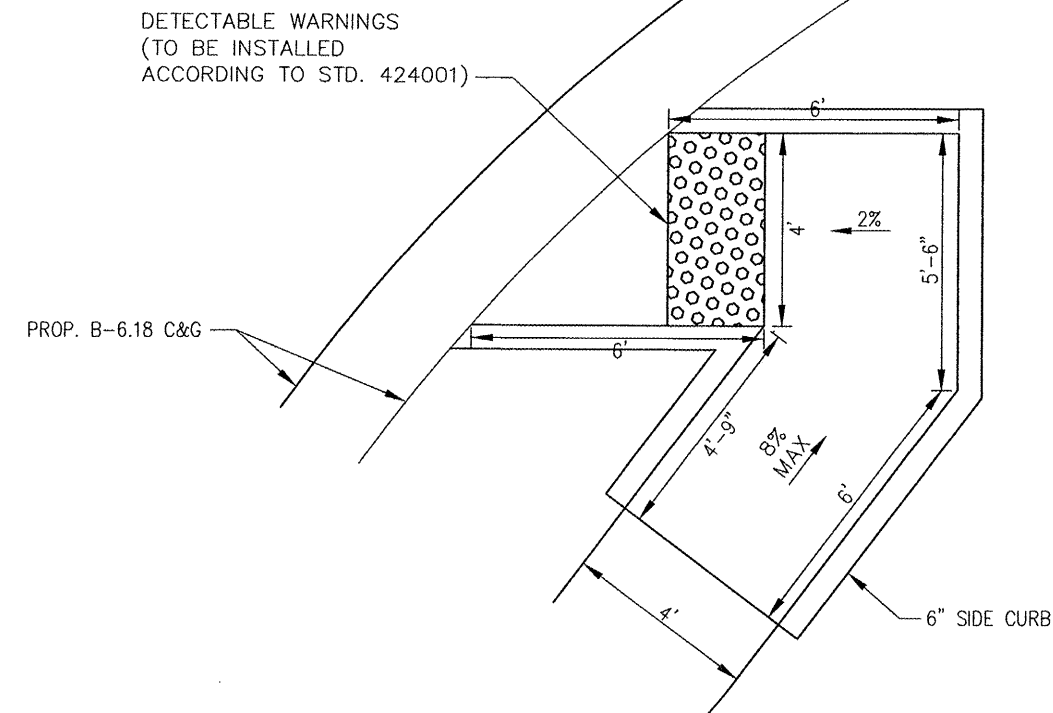


SPECIFICATIONS:
PRE-CAST INLET SHALL CONFORM TO ASTM C-478

EXECUTION:
ALL WORK SHALL CONFORM TO ILLINOIS STANDARD SPECIFICATIONS FOR ROAD AND BRIDGE CONSTRUCTION.

INLET, SPECIAL #3

TROY-O'FALLON ROAD
STA. 103+43.20 RT &
STA. 103+46.78 LT



PROP. SIDEWALK RAMP, TYPE A
(PAID AS PCC SIDEWALK, 4")

TROY-O'FALLON ROAD
STA 107+72.88 RT
STA 108+49.80 RT
STA 125+17.77 RT
STA 125+25.17 LT
STA 125+91.16 LT
STA 125+97.59 RT

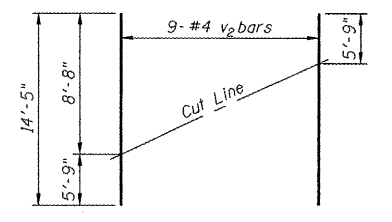
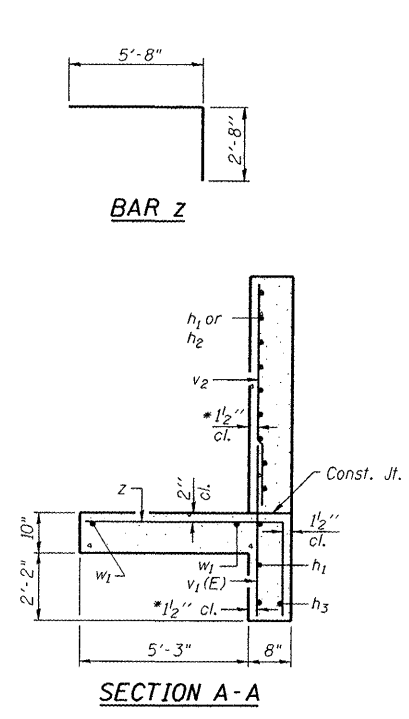
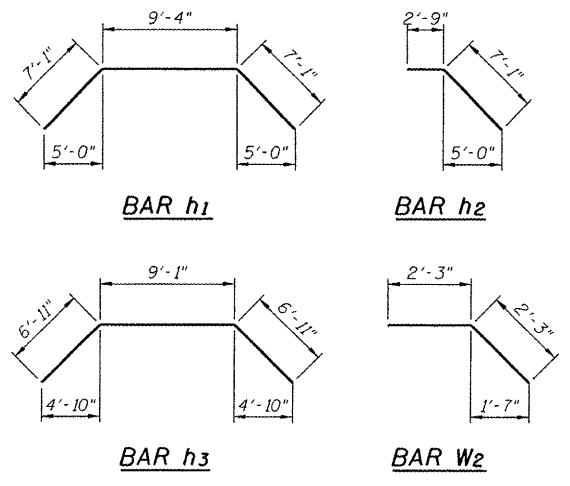
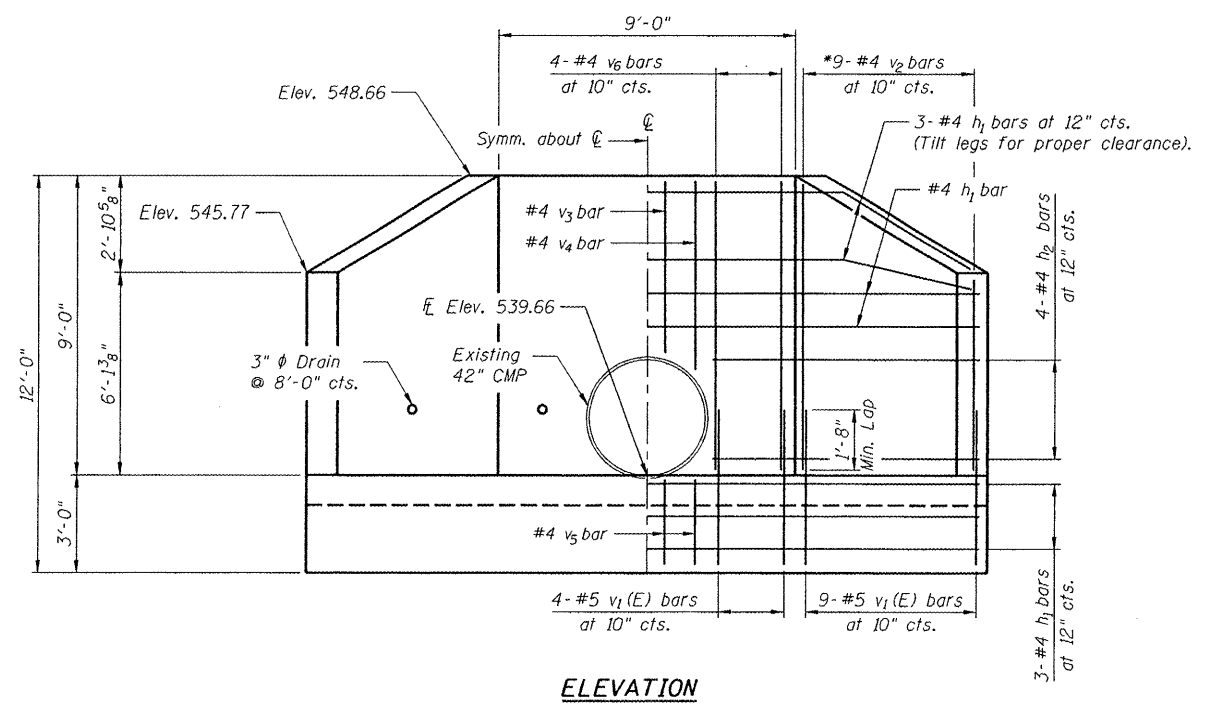
REVISIONS	
NAME	DATE

MISCELLANEOUS
DETAILS

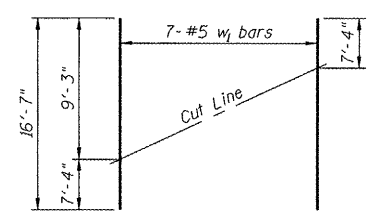
US 40 AND
TROY-O'FALLON ROAD IMPROVEMENTS
CITY OF TROY
MADISON COUNTY, ILLINOIS

P:\050162D\dwg\050162DET\01.dwg 4/16/2008 9:02:13 AM CDT

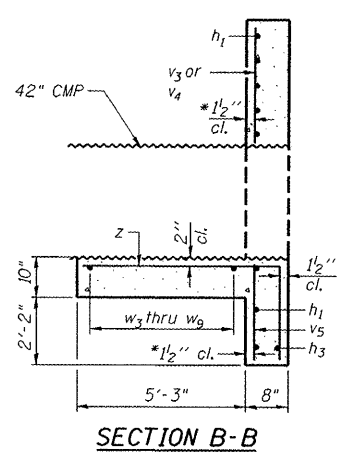
*See Field Cutting Diagram



FIELD CUTTING DIAGRAM
Order v_2 full length. Cut as shown and use remainder of bars in other wingwall.



FIELD CUTTING DIAGRAM
Order w_1 full length. Cut as shown and use remainder of bars in other wingwall footing.



* v bars shall not be placed more than 1'-2" cl. from back face of wingwall.

BILL OF MATERIAL

Bar	No.	Size	Length	Shape
h_1	8	#4	23'-6"	
h_2	8	#4	9'-10"	
h_3	1	#4	22'-11"	
v_1 (E)	26	#5	4'-9"	
v_2	9	#4	14'-5"	
v_3	2	#4	5'-1"	
v_4	2	#4	5'-8"	
v_5	4	#4	2'-7"	
v_6	8	#4	8'-8"	
w_1	7	#5	16'-7"	
w_2	14	#5	4'-6"	
w_3	1	#5	13'-9"	
w_4	1	#5	13'-1"	
w_5	1	#5	12'-5"	
w_6	1	#5	11'-9"	
w_7	1	#5	11'-1"	
w_8	1	#5	10'-5"	
w_9	1	#5	9'-9"	
z	40	#7	8'-4"	
Concrete Box Culverts		Cu. Yd.	10.9	
Reinforcement Bars, Epoxy Coated		Pound	130	
Reinforcement Bars		Pound	1300	

Reinforcement bars shall conform to the requirements of ASTM A706 Gr. 60. See Special Provisions.

Reinforcement bars designated (E) shall be epoxy coated.

DESIGN STRESSES

$f_y = 60,000$ psi
 $f'_c = 3,500$ psi

**CAST-IN-PLACE REINFORCED CONCRETE END SECTION 42", SPECIAL
STA 111+68.98 48.82' LT**

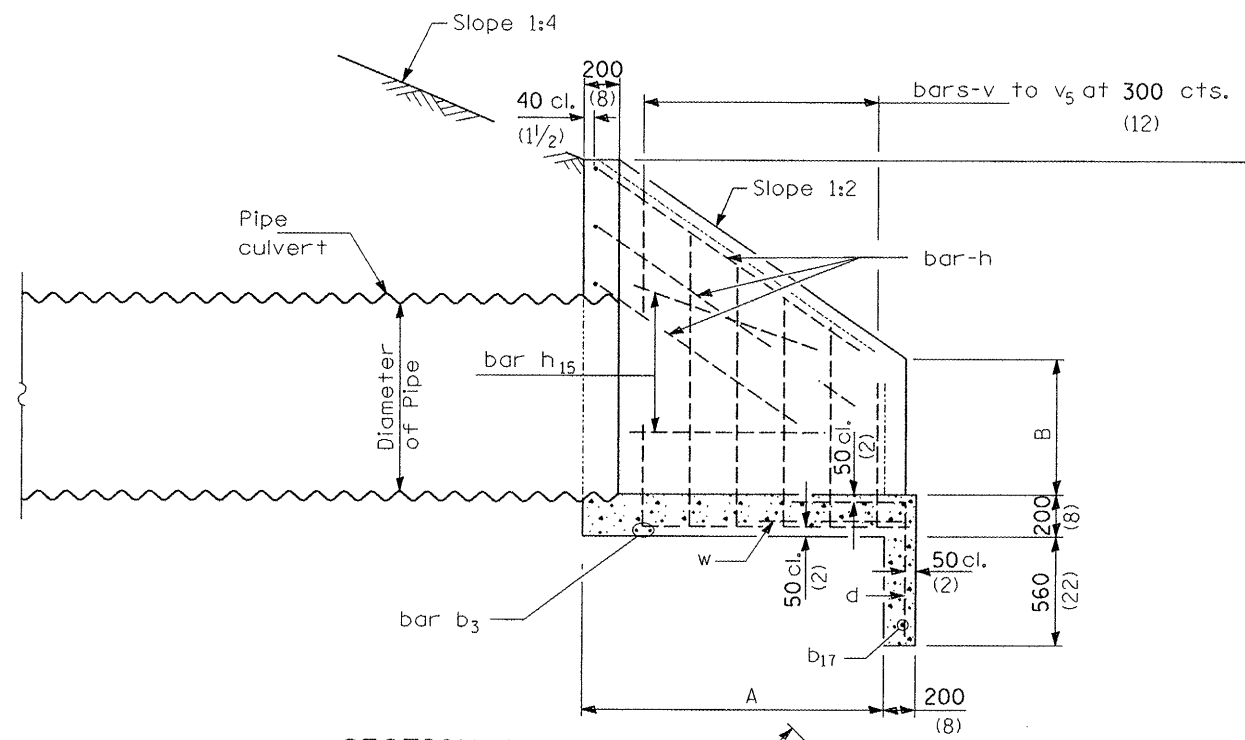
REVISIONS	
NAME	DATE

MISCELLANEOUS DETAILS

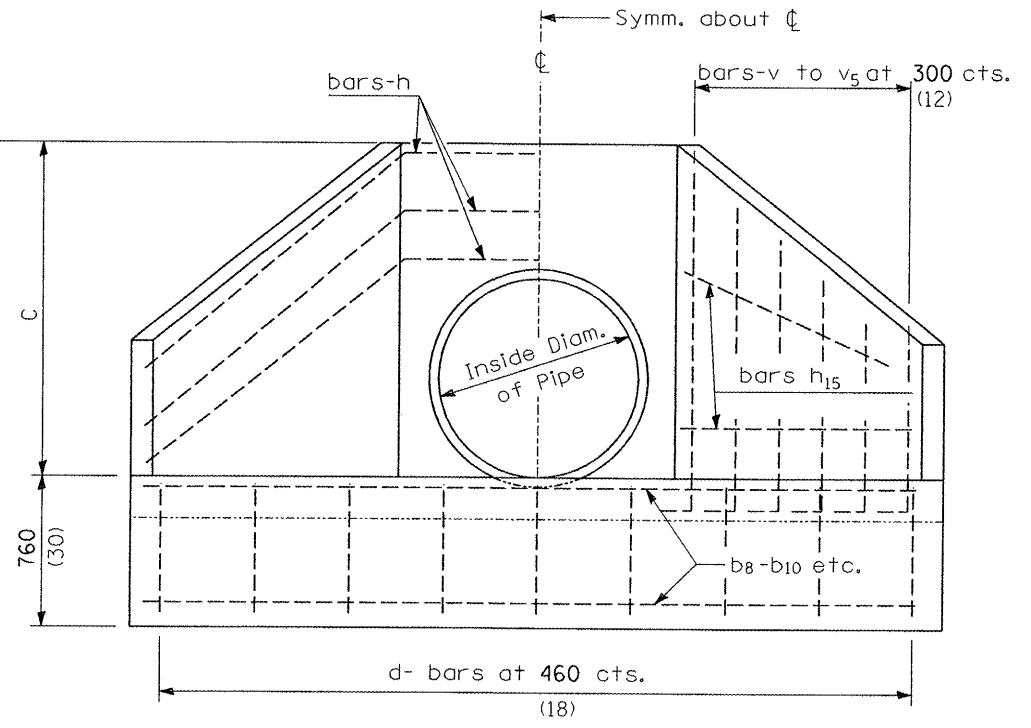
US 40 AND
TROY-O'FALLON ROAD IMPROVEMENTS
CITY OF TROY
MADISON COUNTY, ILLINOIS

FAP NO.	SECTION	COUNTY	TOTAL SHEETS	SHEET NO.
793	05-00025-00-TL	MADISON	127	81
9392	07-00025-01-WR			
STA.	TO STA.			

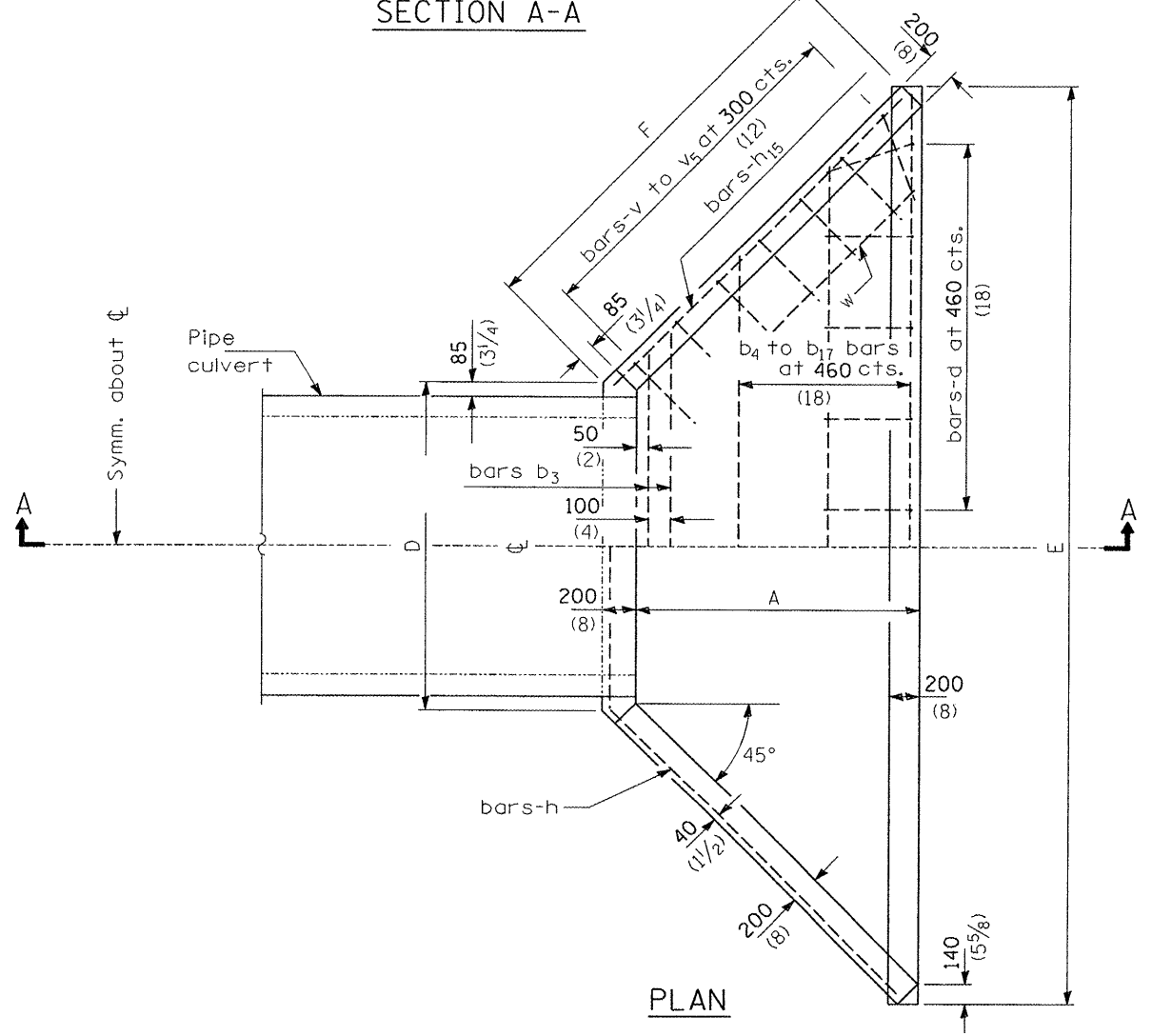
CONTRACT NO. 97352



SECTION A-A



END ELEVATION



PLAN

GENERAL NOTES

*All slope ratios are expressed as units of vertical displacement to units of horizontal displacement (V:H).

All dimensions are in millimeters (inches) unless otherwise shown.

CAST-IN-PLACE REINFORCED CONCRETE END SECTION 36", SPECIAL
 STA 119+48.92 42.00' RT
 (SHEET 1 OF 2)

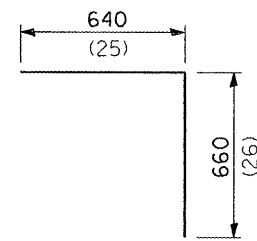
REVISIONS	
NAME	DATE

MISCELLANEOUS DETAILS

US 40 AND
 TROY-O'FALLON ROAD IMPROVEMENTS
 CITY OF TROY
 MADISON COUNTY, ILLINOIS

SIZES OF STRAIGHT BARS

BARS	SIZE	LENGTH
b ₃	No. 16 (No. 5)	1.9 m (6'-3")
b ₇	No. 13 (No. 4)	2.67 m (8'-9")
b ₁₁	No. 13 (No. 4)	3.58 m (11'-9")
b ₁₅	No. 13 (No. 4)	4.50 m (14'-9")
b ₁₇	No. 13 (No. 4)	5.26 m (17'-3")
h ₁₅	No. 13 (No. 4)	2.67 m (8'-9")
w	No. 13 (No. 4)	1.22 m (4'-0")



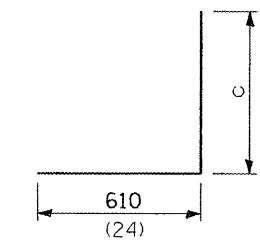
BAR d
No. 13
(No. 4)

BARS IN ONE END SECTION

BARS	No.
d	12
b ₃	2
b ₇	1
b ₁₁	1
b ₁₅	1
b ₁₇	2
h	3
h ₁₅	4
v	4
v ₁	2
v ₂	2
v ₃	4
v ₄	2
v ₅	4
w	2

DIMENSIONS OF BENT BARS

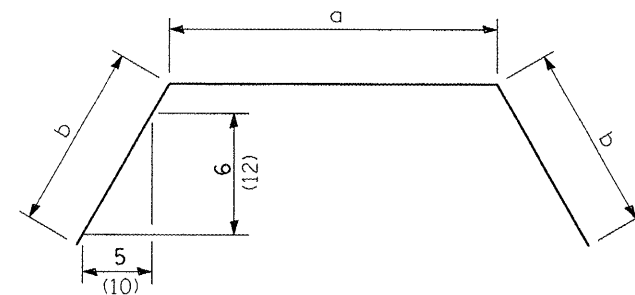
No. 16-bars v to v ₅ (No. 5)			No. 16-bars h (No. 5)			
BARS	c	TOTAL LENGTH	BARS	a	b	TOTAL LENGTH
v	1.83 m (6'-0")	2.44 m (8'-0")	h	1.42 m (4'-8")	2.83 m (9'-3 1/2")	7.09 m (23'-3")
v ₁	1.68 m (5'-6")	2.29 m (7'-6")				
v ₂	1.52 m (5'-0")	2.13 m (7'-0")				
v ₃	1.37 m (4'-6")	1.98 m (6'-6")				
v ₄	1.22 m (4'-0")	1.83 m (6'-0")				
v ₅	1.07 m (3'-6")	1.68 m (5'-6")				



BARS v to v₅

DIMENSIONS AND QUANTITIES

NOMINAL INSIDE DIAM. OF PIPE	DIMENSIONS						Concrete 1 End Secs. m ³ (cu. yds.)	Reinf. Bars 1 End Secs. kg (lbs.)
	A	B	C	D	E	F		
900 (36)	1.88 m (6'-2")	890 (35)	1.83 m (6'-0")	1.48 m (4'-10")	5.35 m (17'-6 1/2")	2.74 m (9'-0")	4.0 (5.2)	145 (320)



BARS - h

CAST-IN-PLACE REINFORCED CONCRETE END SECTION 36", SPECIAL
STA 119+48.92 42.00' RT
(SHEET 2 OF 2)

REVISIONS	
NAME	DATE

MISCELLANEOUS DETAILS

US 40 AND
TROY-O'FALLON ROAD IMPROVEMENTS
CITY OF TROY
MADISON COUNTY, ILLINOIS

DESIGN SPECIFICATIONS

AASHTO LRFD BRIDGE DESIGN SPECIFICATIONS 4TH EDITION

DESIGN STRESSES

$f'_c = 3500$ psi
 $f_y = 60,000$ psi

LOADING

40 #/cu. ft. EQUIVALENT FLUID WEIGHT

GENERAL NOTES

REINFORCEMENT BARS SHALL CONFORM TO THE REQUIREMENTS OF ASTM A706 GR. 60.

REINFORCEMENT BARS DESIGNATED (E) SHALL BE EPOXY COATED.

TOP EDGES OF WALL SHALL BE CHAMFERED $\frac{3}{4}$ ".

CONCRETE SHALL BE CLASS S1.

PERFORATED PVC DRAIN PIPE SHALL CONFORM TO SECTION 1040 OF THE STANDARD SPECIFICATIONS.

FILTER FABRIC SHALL CONFORM TO SECTION 1080 OF THE STANDARD SPECIFICATIONS.

THE PERFORATED PVC PIPE SHALL DAYLIGHT ON BOTH ENDS OF THE WALL AND A SLOTTED CAP SHALL BE PLACED ON BOTH ENDS.

CONCRETE, CONCRETE REINFORCEMENT, PVC DRAIN PIPE, CA7, AND FILTER FABRIC SHALL BE INCIDENTAL TO CONCRETE BARRIER WALL, SPECIAL.

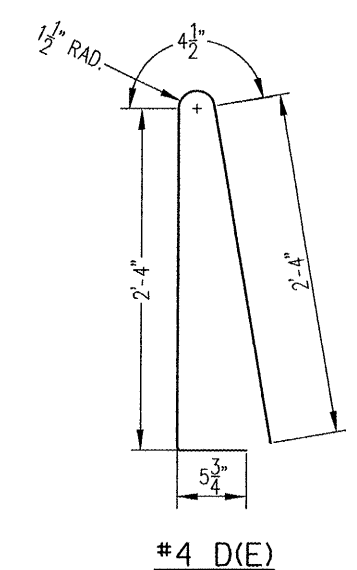
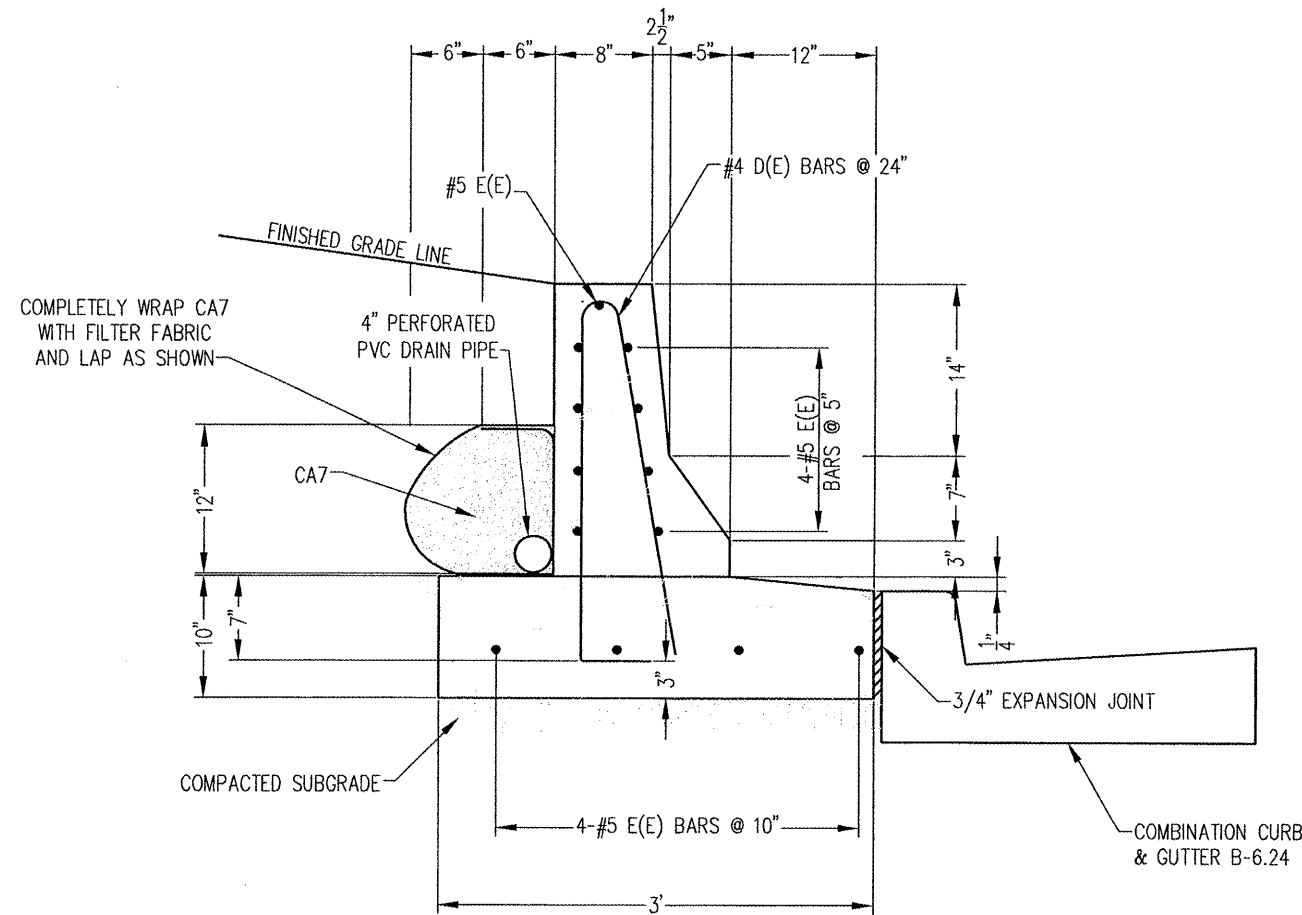
MINIMUM CLEARANCE TO REINFORCING STEEL SHALL BE $1\frac{1}{2}$ ", UNLESS OTHERWISE SHOWN.

MINIMUM BAR LAPS

#5 BARS 2'-2"

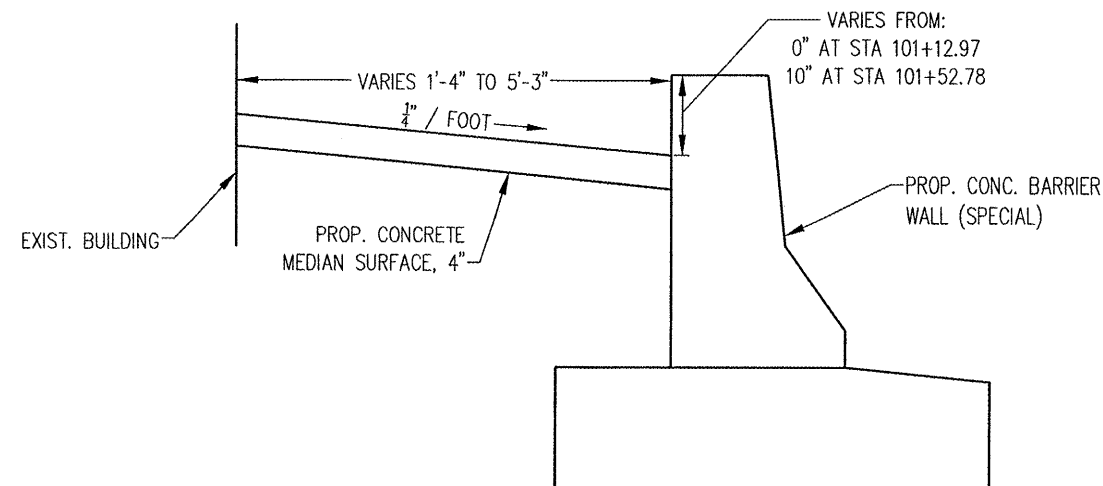
APP. NO.	SECTION	COUNTY	TOTAL SHEETS	SHEET NO.
793 9392	05-00025-00-TL 07-00025-01-WR	MADISON	127	83

CONTRACT NO. 97352



CONCRETE BARRIER WALL (SPECIAL)

TROY-O'FALLON ROAD
 STA 100+88.50 TO 101+59.91 RT



CONCRETE MEDIAN SURFACE, 4"

TROY-O'FALLON ROAD
 STA 101+12.97 TO 101+52.78 RT

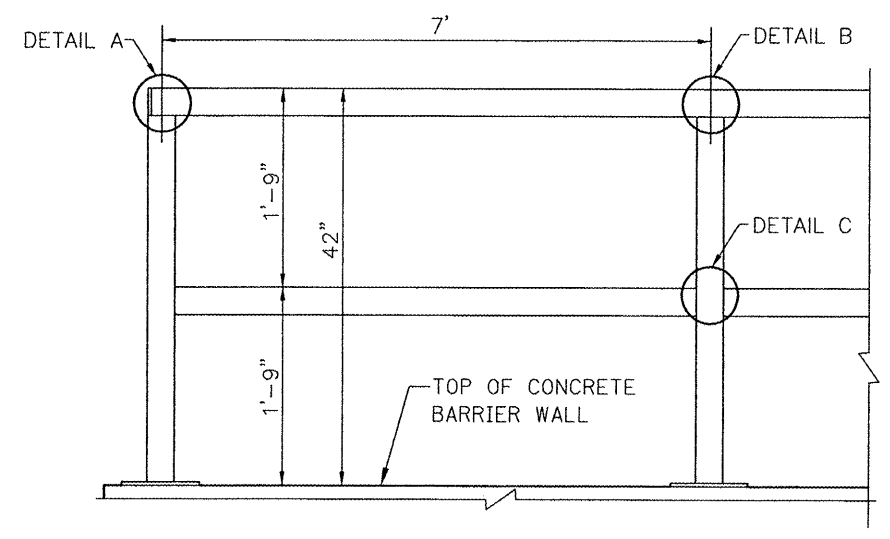
REVISIONS	
NAME	DATE

MISCELLANEOUS
 DETAILS
 US 40 AND
 TROY-O'FALLON ROAD IMPROVEMENTS
 CITY OF TROY
 MADISON COUNTY, ILLINOIS

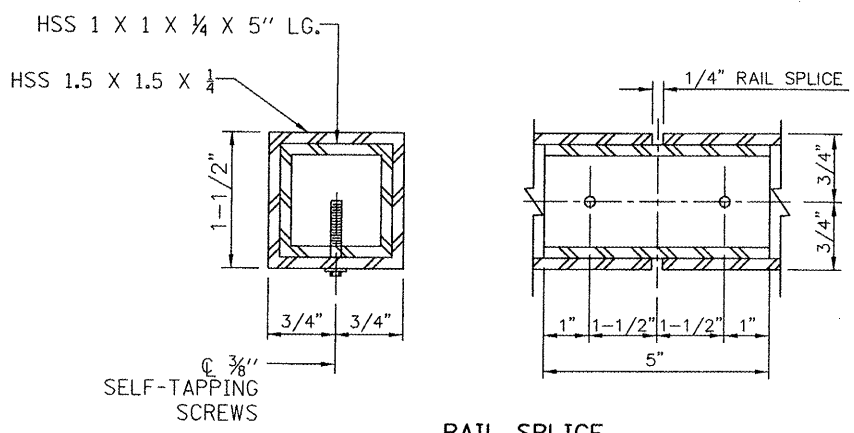
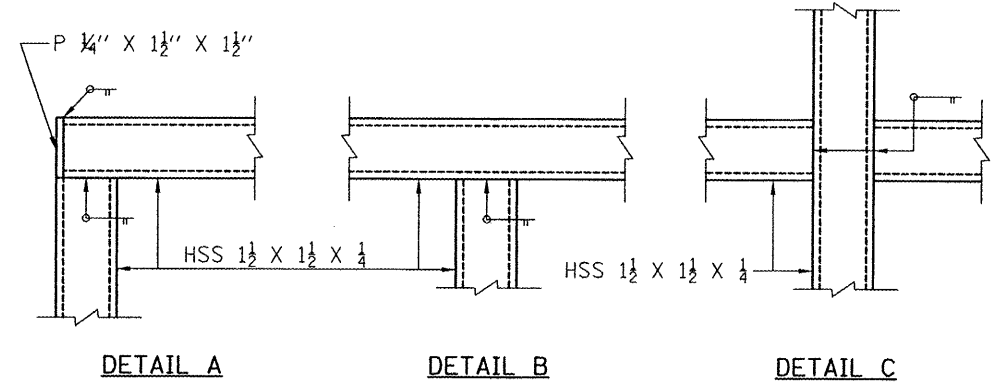
P:\050162D\dwg\050162D\ETL01.dwg 4/16/2008 9:02:13 AM CDT

PROJECT NO.	SECTION	COUNTY	TOTAL SHEETS	SHEET NO.
79.3 9392	05-00025-00-TL 07-00025-01-NR	MADISON	127	84
STA.		TO STA.		

CONTRACT NO. 97352

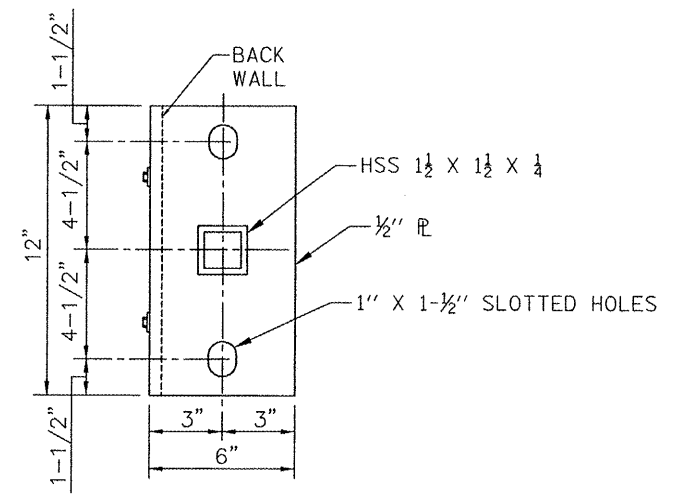


PIPE RAILING ELEVATION

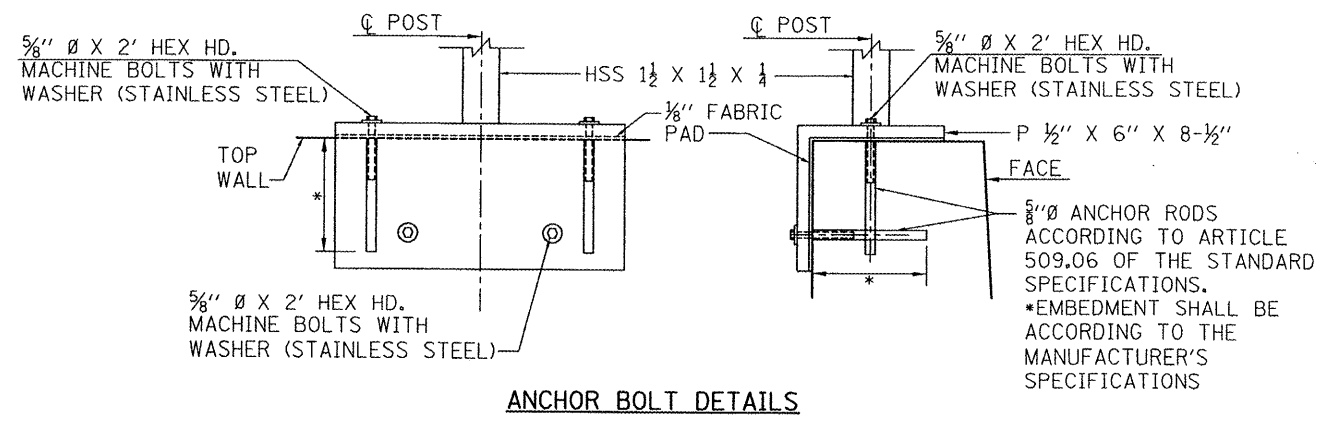


RAIL SPLICE

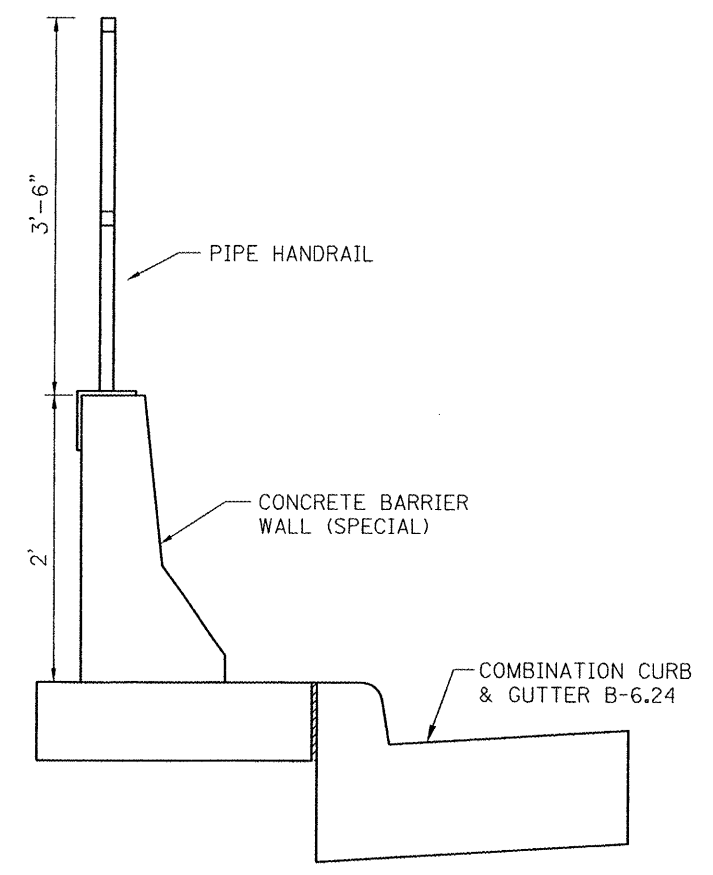
NOTES
ALL STEEL RAIL ELEMENTS SHALL BE GALVANIZED ACCORDING TO ARTICLE 509.05 OF THE STANDARD SPECIFICATIONS.



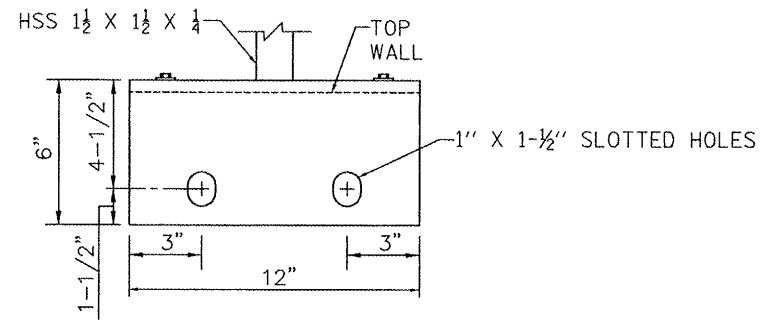
BASE P TOP VIEW



ANCHOR BOLT DETAILS



SECTION THRU WALL



BASE P SIDE VIEW

PIPE HANDRAIL DETAIL
TROY-O'FALLON ROAD
STA 100+88.50 TO 101+59.91 RT

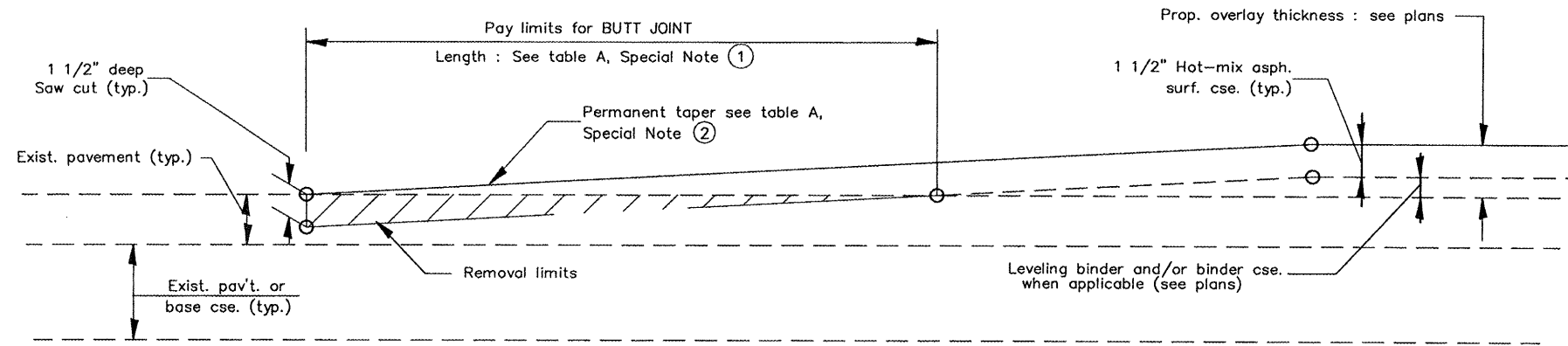
REVISIONS	
NAME	DATE

MISCELLANEOUS DETAILS
US 40 AND
TROY-O'FALLON ROAD IMPROVEMENTS
CITY OF TROY
MADISON COUNTY, ILLINOIS

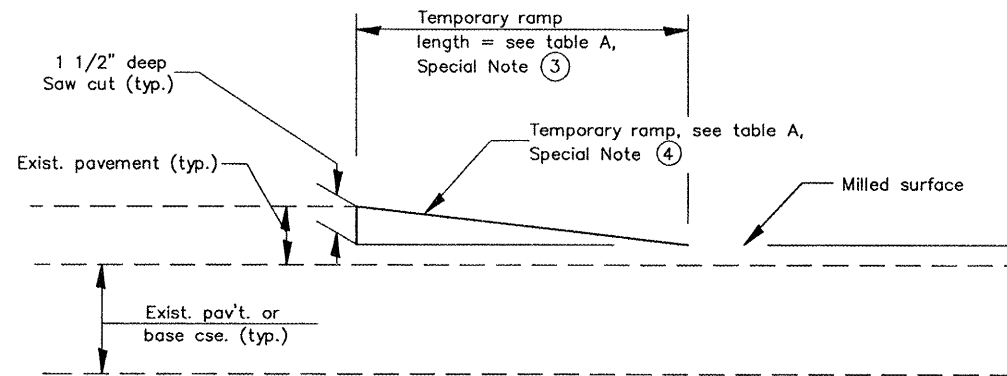
P:\050162D\dwg\050162DET101.dwg 4/16/2008 9:02:13 AM CDT

F&P NO.	SECTION	COUNTY	TOTAL SHEETS	SHEET NO.
793	05-00025-00-TL	MADISON	127	85
9392	07-00028-01-WR			
STA.	TO STA.			

CONTRACT NO. 97352



BUTT-JOINT DETAIL



DETAIL TEMPORARY RAMP

TABLE A
(LENGTHS AND TAPER RATES)

SPECIAL NOTE NUMBER	ELEMENT	MAINLINE INTERSTATES & 4-LANE EXPRESSWAYS	2-LANE HIGHWAYS	TURTLE CREEK MEADOWBROOK DR. FAIR OAKS DR.	*ALL OTHERS
①	LENGTH OF BUTT JOINT	60'	30'	20'	10'
②	PERMANENT TAPER RATE	1:480	1:240	1:160	1:80
③	TEMPORARY RAMP TAPER RATE	1:80	1:40	1:40	1:40
④	TEMPORARY RAMP LENGTH	10'	5'	5'	5'

*ALONG US 40: STA 237+23.11 RT, STA 241+34.31 LT, STA 243+15.54 LT, STA 247+93.02 RT AND STA 248+63.33 LT

GENERAL NOTES

- All work shall be done in accordance with the most current edition of the IDOT Standard Specifications for Road & Bridge Construction.

HOT-MIX ASPHALT SURFACE REMOVAL – BUTT JOINT AND PORTLAND CEMENT CONCRETE SURFACE REMOVAL – BUTT JOINT

SOUTH MAIN STREET: STA 99+79.71 TO STA 100+09.71
 US 40: STA 236+99.46 TO STA 237+29.46
 US 40: STA 254+52.64 TO STA 254+82.64
 TROY-O'FALLON ROAD: STA 131+17.11 TO STA 131+47.11
 TURTLE CREEK: STA 9+17.29 TO STA 9+27.29
 MEADOWBROOKE DR.: STA 9+42.12 TO STA 9+62.12
 FAIR OAKS DR: STA 10+42.05 TO STA 10+62.05
 ALONG US 40: STA 237+23.11 RT, STA 241+34.31 LT, STA 243+15.54 LT, STA 247+93.02 RT AND STA 248+63.33

P:\050162D.dwg\050162DETL01.dwg 4/16/2008 9:02:13 AM CDT

REVISIONS	
NAME	DATE

MISCELLANEOUS DETAILS

US 40 AND TROY-O'FALLON ROAD IMPROVEMENTS
 CITY OF TROY
 MADISON COUNTY, ILLINOIS

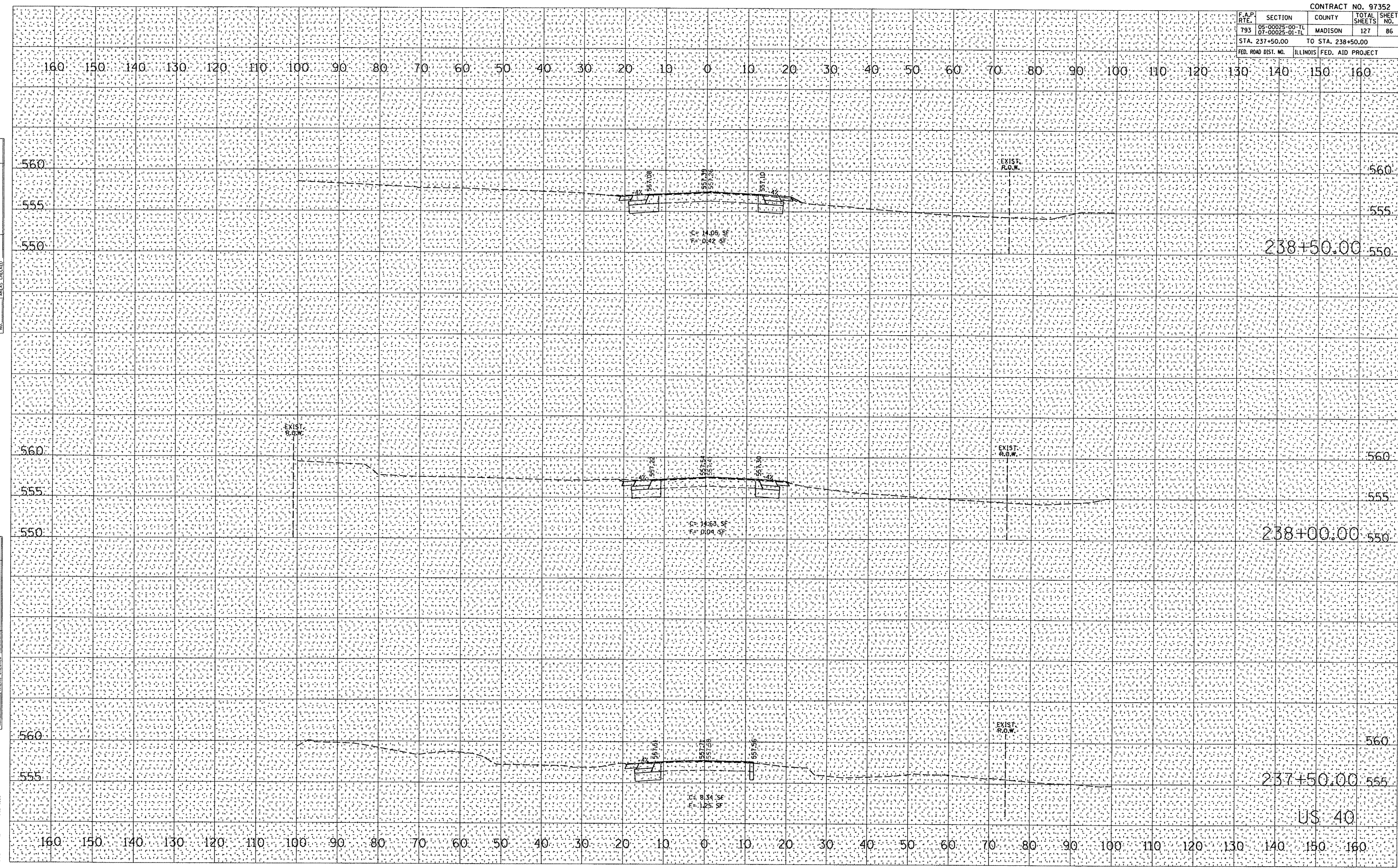
F.A.P. RTE.	SECTION	COUNTY	TOTAL SHEETS	SHEET NO.
793	05-00025-00-TL 07-00025-01-TL	MADISON	127	86
STA. 237+50.00		TO STA. 238+50.00		

FED. ROAD DIST. NO. ILLINOIS FED. AID PROJECT

DATE	
BY	
REVISIONS	
NO.	
DATE	
BY	
REVISIONS	
NO.	
DATE	
BY	
REVISIONS	
NO.	
DATE	
BY	
REVISIONS	
NO.	
DATE	
BY	
REVISIONS	
NO.	

DATE	
BY	
REVISIONS	
NO.	
DATE	
BY	
REVISIONS	
NO.	
DATE	
BY	
REVISIONS	
NO.	
DATE	
BY	
REVISIONS	
NO.	
DATE	
BY	
REVISIONS	
NO.	

PLOT DATE = 6/10/2008
 FILE NAME = P:\050162\050162\sheet-US40.dgn
 USER NAME = shahmoradian

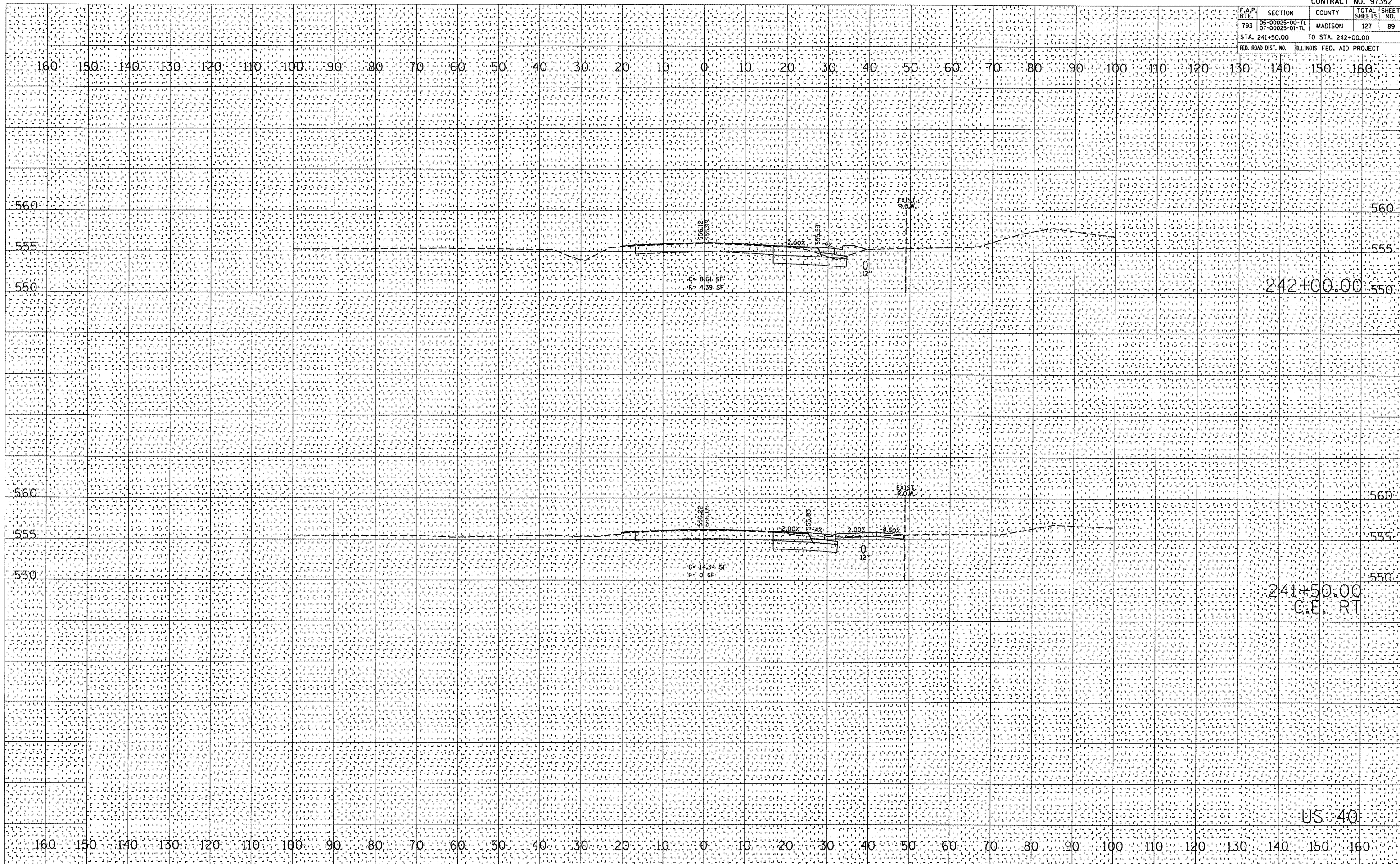


F.A.P. RTE.	SECTION	COUNTY	TOTAL SHEETS	SHEET NO.
793	05-00025-00-TL 07-00025-01-TL	MADISON	127	89
STA. 241+50.00		TO STA. 242+00.00		
FED. ROAD DIST. NO.	ILLINOIS	FED. AID PROJECT		

DATE	
BY	
FINISHED SURVEY	
TEMP. PLAT	
NOTE BOOK	
AREAS CHECKED	
NO.	

DATE	
BY	
ORIGINAL SURVEY	
TEMP. PLAT	
NOTE BOOK	
AREAS CHECKED	
NO.	

PLOT DATE: 6/10/2008
 FILE NAME: P:\0501620\0501620\0501620\0501620.dgn
 PLOT SCALE: 1" = 40'
 USER NAME: mstammiller

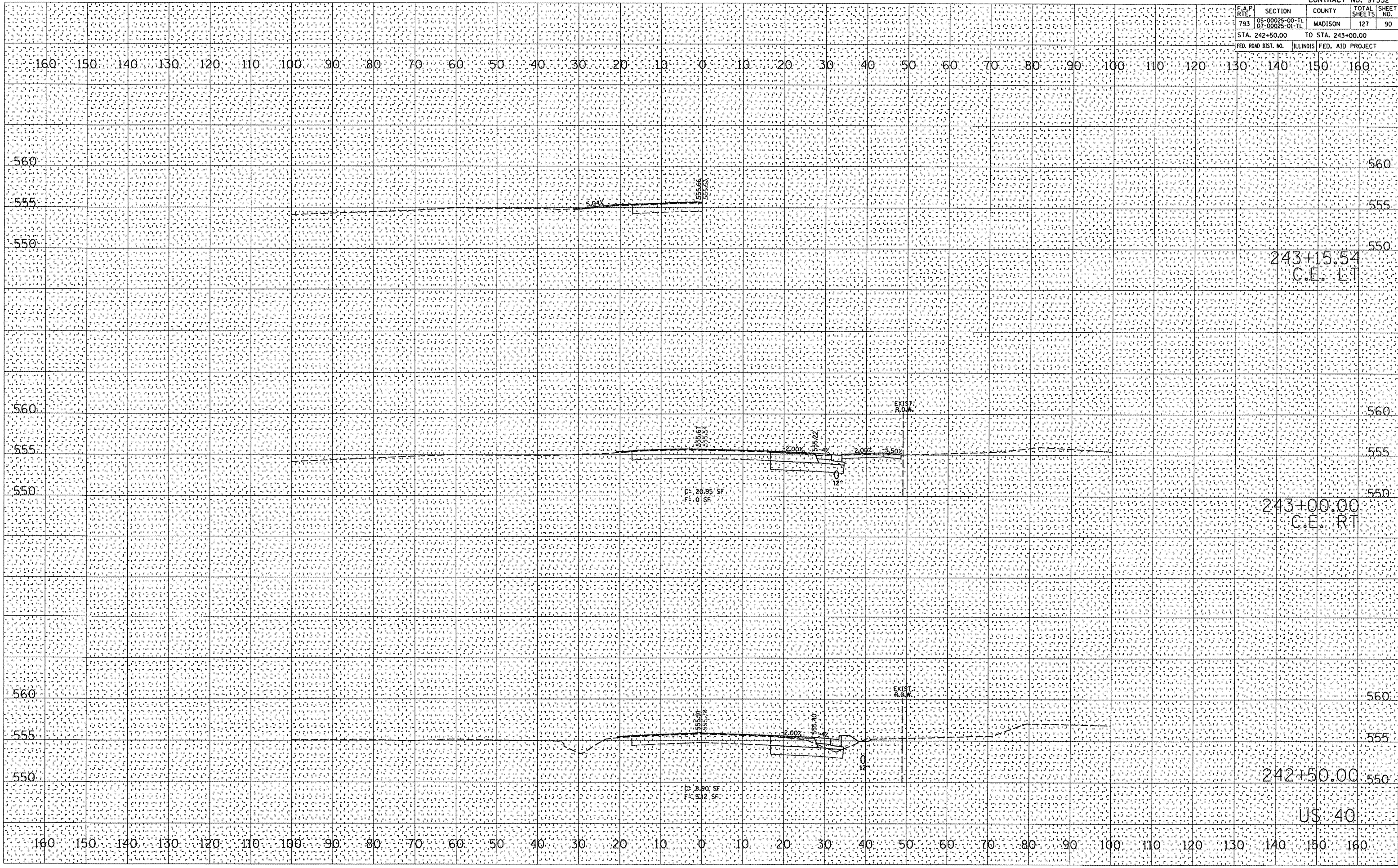


F.A.P. RTE.	SECTION	COUNTY	TOTAL SHEETS	SHEET NO.
793	05-00025-00-TL 07-00025-01-TL	MADISON	127	90
STA. 242+50.00		TO STA. 243+00.00		
FED. ROAD DIST. NO.		ILLINOIS FED. AID PROJECT		

DATE	
BY	
FINAL SURVEY	
NOTE BOOK	
NO.	
TEMP. AREAS CHECKED	

DATE	
BY	
ORIGINAL SURVEY	
NOTE BOOK	
NO.	
TEMP. AREAS CHECKED	

PLOT DATE = 6/10/2008
 FILE NAME = P:\95065D.dgn\95065D sheets-US40.dgn
 PLOT SCALE = 21.765 / IN.
 USER NAME = mitchmiller

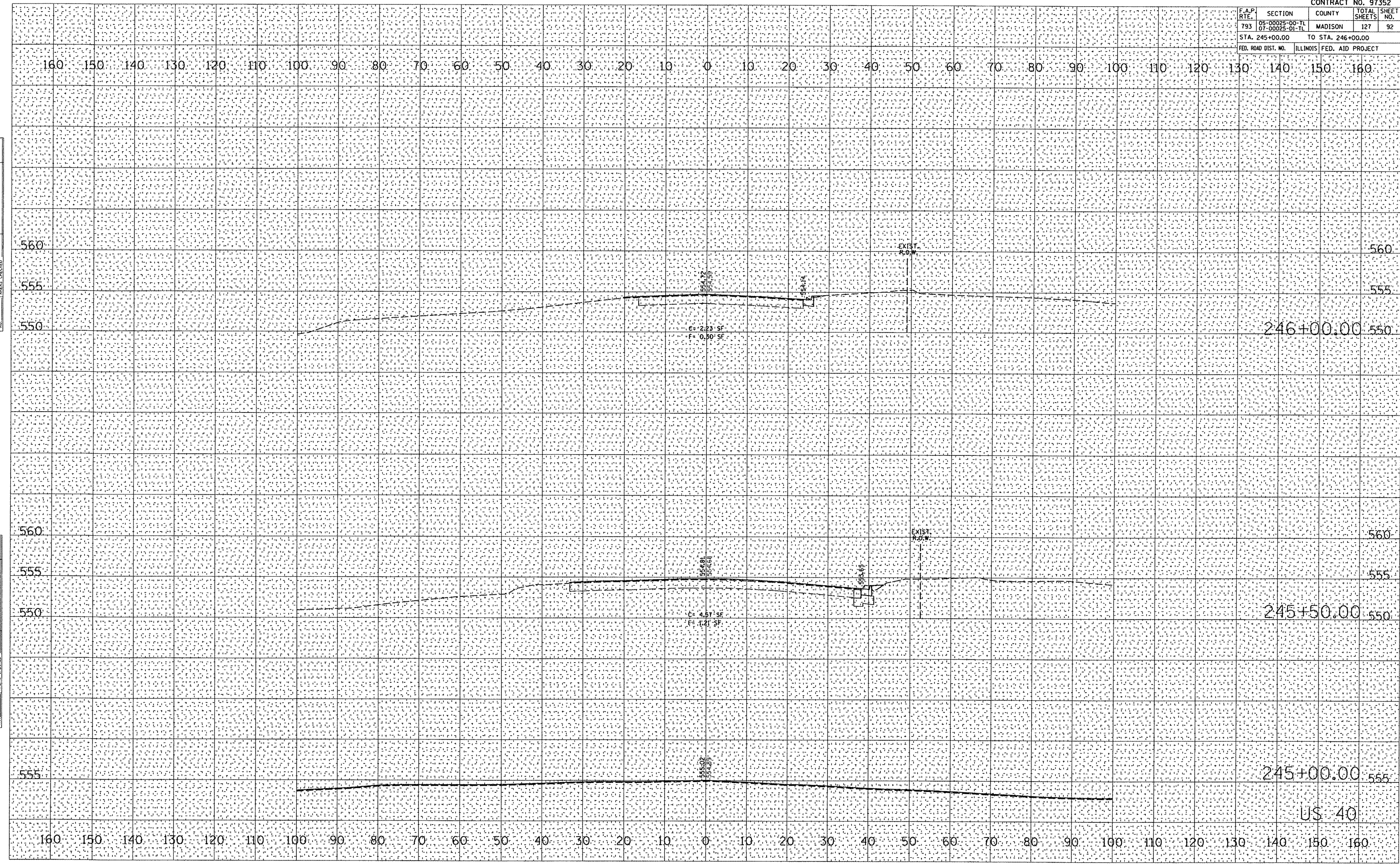


F.A.P. RTE.	SECTION	COUNTY	TOTAL SHEETS	SHEET NO.
793	06-00025-00-TL 07-00025-01-TL	MADISON	127	92
STA. 245+00.00		TO STA. 246+00.00		
FED. ROAD DIST. NO.	ILLINOIS	FED. AID PROJECT		

DATE	
BY	
REVISIONS	
NO.	
DATE	
BY	
REVISIONS	
NO.	
DATE	
BY	
REVISIONS	
NO.	
DATE	
BY	
REVISIONS	
NO.	

DATE	
BY	
REVISIONS	
NO.	
DATE	
BY	
REVISIONS	
NO.	
DATE	
BY	
REVISIONS	
NO.	
DATE	
BY	
REVISIONS	
NO.	

PLOT DATE: 6/10/2008
 FILE NAME: P:\050162\050162\050162\050162\050162.dgn
 USER NAME: m1111111



F.A.P. RTE.	SECTION	COUNTY	TOTAL SHEETS	SHEET NO.
793	05-00025-00-TL 07-00025-01-TL	MADISON	127	93

STA. 246+50.00 TO STA. 247+50.00

FED. ROAD DIST. NO.	ILLINOIS	FED. AID PROJECT

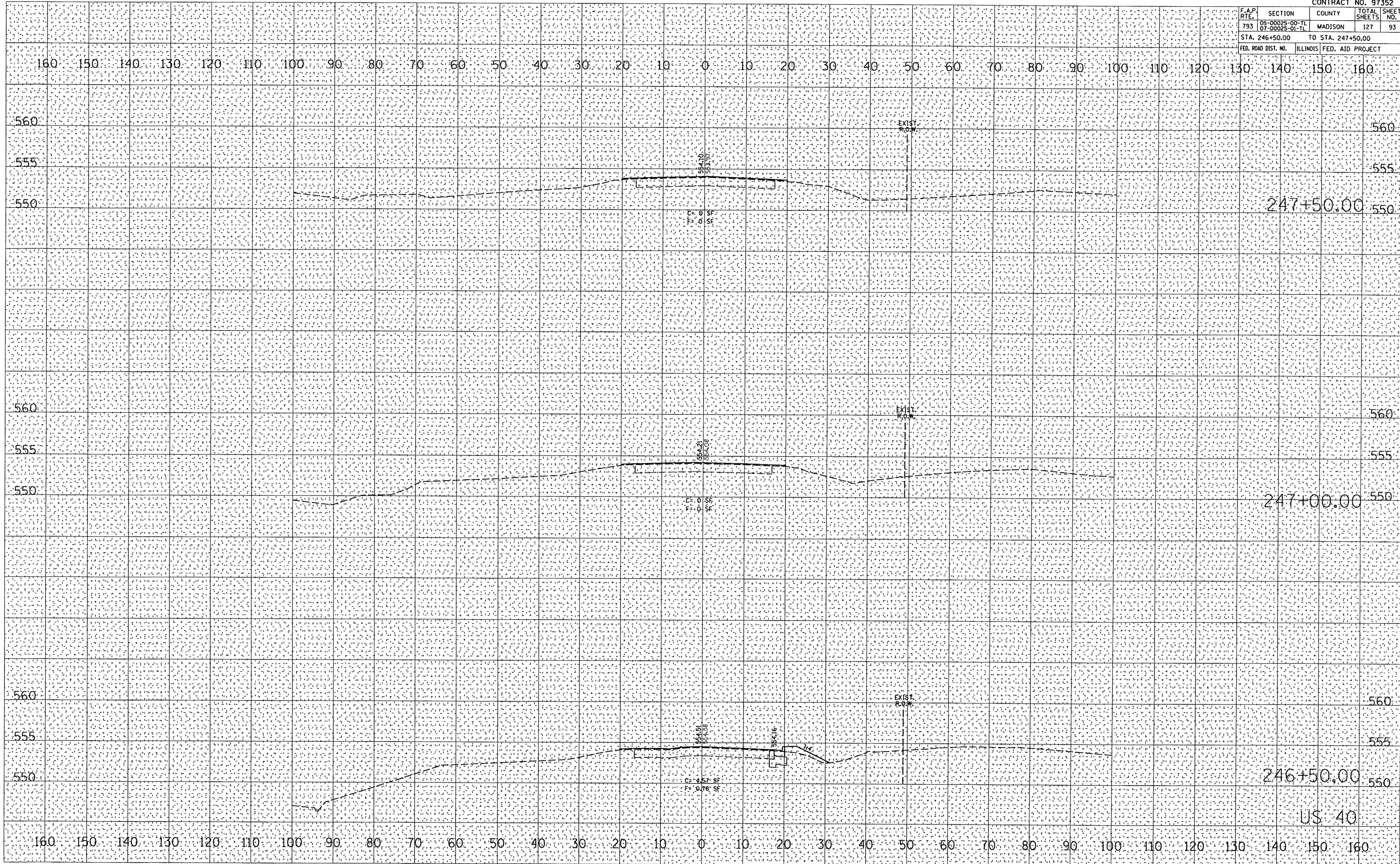
BY _____ DATE _____

FINAL SURVEY SURVEYED _____
 NOTE BOOK PLOTTED _____
 NO. AREAS CHECKED _____

BY _____ DATE _____

ORIGINAL SURVEY SURVEYED _____
 NOTE BOOK PLOTTED _____
 NO. AREAS CHECKED _____

PLOT DATE = 6/10/2008
 FILE NAME = P:\060808\08\060808.dgn
 PLOT SCALE = 21.750' / IN.
 USER NAME = mhstamiller

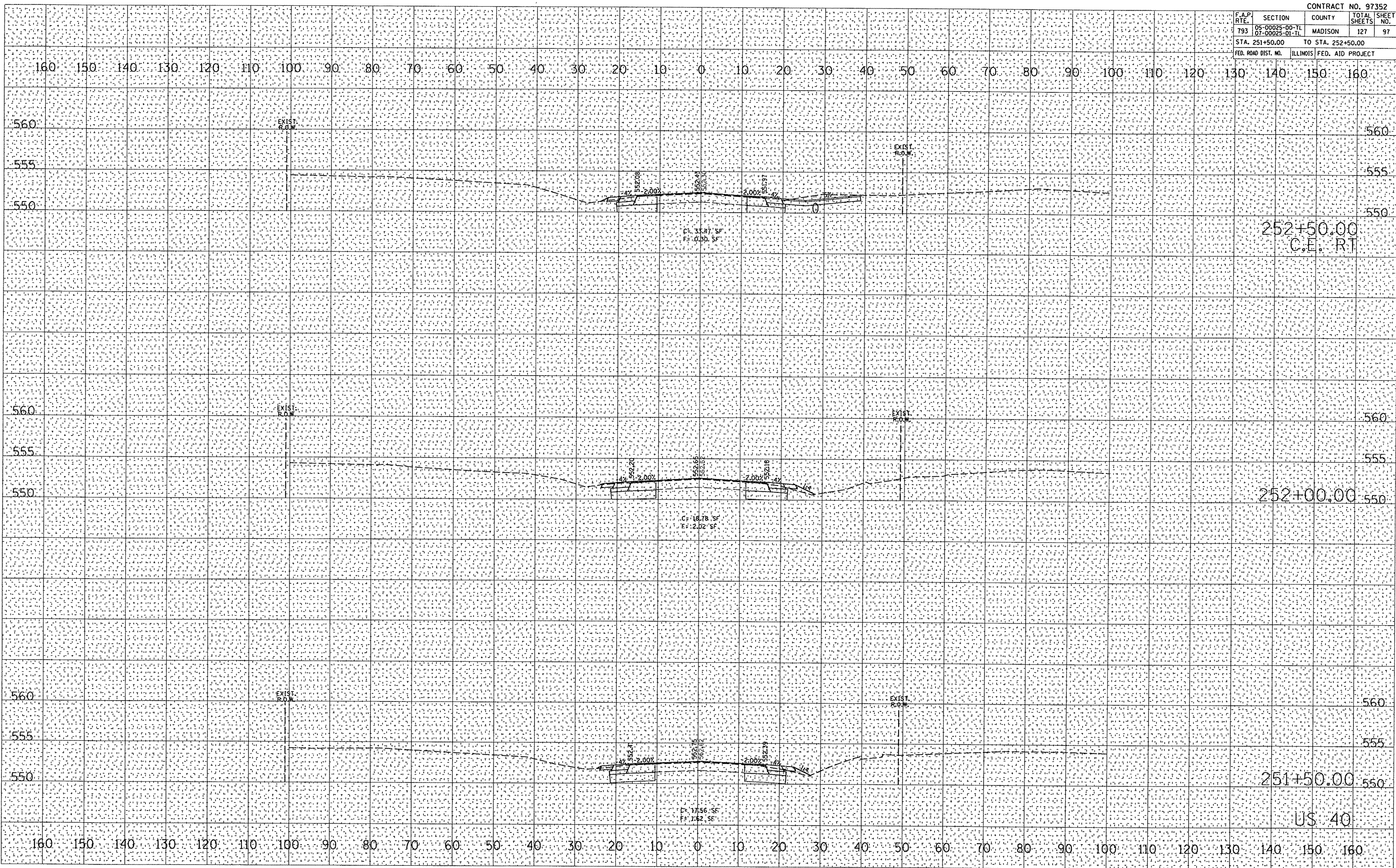


F.A.P. RTE.	SECTION	COUNTY	TOTAL SHEETS	SHEET NO.
793	05-00025-00-TL 07-00025-01-TL	MADISON	127	97
STA. 251+50.00		TO STA. 252+50.00		
FED. ROAD DIST. NO.	ILLINOIS	FED. AID PROJECT		

DATE	
BY	
NO.	
FINAL SURVEY	
NO. 1	
NO. 2	
NO. 3	
NO. 4	
NO. 5	
NO. 6	
NO. 7	
NO. 8	
NO. 9	
NO. 10	
NO. 11	
NO. 12	
NO. 13	
NO. 14	
NO. 15	
NO. 16	
NO. 17	
NO. 18	
NO. 19	
NO. 20	
NO. 21	
NO. 22	
NO. 23	
NO. 24	
NO. 25	
NO. 26	
NO. 27	
NO. 28	
NO. 29	
NO. 30	
NO. 31	
NO. 32	
NO. 33	
NO. 34	
NO. 35	
NO. 36	
NO. 37	
NO. 38	
NO. 39	
NO. 40	
NO. 41	
NO. 42	
NO. 43	
NO. 44	
NO. 45	
NO. 46	
NO. 47	
NO. 48	
NO. 49	
NO. 50	
NO. 51	
NO. 52	
NO. 53	
NO. 54	
NO. 55	
NO. 56	
NO. 57	
NO. 58	
NO. 59	
NO. 60	
NO. 61	
NO. 62	
NO. 63	
NO. 64	
NO. 65	
NO. 66	
NO. 67	
NO. 68	
NO. 69	
NO. 70	
NO. 71	
NO. 72	
NO. 73	
NO. 74	
NO. 75	
NO. 76	
NO. 77	
NO. 78	
NO. 79	
NO. 80	
NO. 81	
NO. 82	
NO. 83	
NO. 84	
NO. 85	
NO. 86	
NO. 87	
NO. 88	
NO. 89	
NO. 90	
NO. 91	
NO. 92	
NO. 93	
NO. 94	
NO. 95	
NO. 96	
NO. 97	
NO. 98	
NO. 99	
NO. 100	
NO. 101	
NO. 102	
NO. 103	
NO. 104	
NO. 105	
NO. 106	
NO. 107	
NO. 108	
NO. 109	
NO. 110	
NO. 111	
NO. 112	
NO. 113	
NO. 114	
NO. 115	
NO. 116	
NO. 117	
NO. 118	
NO. 119	
NO. 120	
NO. 121	
NO. 122	
NO. 123	
NO. 124	
NO. 125	
NO. 126	
NO. 127	
NO. 128	
NO. 129	
NO. 130	
NO. 131	
NO. 132	
NO. 133	
NO. 134	
NO. 135	
NO. 136	
NO. 137	
NO. 138	
NO. 139	
NO. 140	
NO. 141	
NO. 142	
NO. 143	
NO. 144	
NO. 145	
NO. 146	
NO. 147	
NO. 148	
NO. 149	
NO. 150	
NO. 151	
NO. 152	
NO. 153	
NO. 154	
NO. 155	
NO. 156	
NO. 157	
NO. 158	
NO. 159	
NO. 160	
NO. 161	
NO. 162	
NO. 163	
NO. 164	
NO. 165	
NO. 166	
NO. 167	
NO. 168	
NO. 169	
NO. 170	
NO. 171	
NO. 172	
NO. 173	
NO. 174	
NO. 175	
NO. 176	
NO. 177	
NO. 178	
NO. 179	
NO. 180	
NO. 181	
NO. 182	
NO. 183	
NO. 184	
NO. 185	
NO. 186	
NO. 187	
NO. 188	
NO. 189	
NO. 190	
NO. 191	
NO. 192	
NO. 193	
NO. 194	
NO. 195	
NO. 196	
NO. 197	
NO. 198	
NO. 199	
NO. 200	

DATE	
BY	
NO.	
ORIGINAL SURVEY	
NO. 1	
NO. 2	
NO. 3	
NO. 4	
NO. 5	
NO. 6	
NO. 7	
NO. 8	
NO. 9	
NO. 10	
NO. 11	
NO. 12	
NO. 13	
NO. 14	
NO. 15	
NO. 16	
NO. 17	
NO. 18	
NO. 19	
NO. 20	
NO. 21	
NO. 22	
NO. 23	
NO. 24	
NO. 25	
NO. 26	
NO. 27	
NO. 28	
NO. 29	
NO. 30	
NO. 31	
NO. 32	
NO. 33	
NO. 34	
NO. 35	
NO. 36	
NO. 37	
NO. 38	
NO. 39	
NO. 40	
NO. 41	
NO. 42	
NO. 43	
NO. 44	
NO. 45	
NO. 46	
NO. 47	
NO. 48	
NO. 49	
NO. 50	
NO. 51	
NO. 52	
NO. 53	
NO. 54	
NO. 55	
NO. 56	
NO. 57	
NO. 58	
NO. 59	
NO. 60	
NO. 61	
NO. 62	
NO. 63	
NO. 64	
NO. 65	
NO. 66	
NO. 67	
NO. 68	
NO. 69	
NO. 70	
NO. 71	
NO. 72	
NO. 73	
NO. 74	
NO. 75	
NO. 76	
NO. 77	
NO. 78	
NO. 79	
NO. 80	
NO. 81	
NO. 82	
NO. 83	
NO. 84	
NO. 85	
NO. 86	
NO. 87	
NO. 88	
NO. 89	
NO. 90	
NO. 91	
NO. 92	
NO. 93	
NO. 94	
NO. 95	
NO. 96	
NO. 97	
NO. 98	
NO. 99	
NO. 100	
NO. 101	
NO. 102	
NO. 103	
NO. 104	
NO. 105	
NO. 106	
NO. 107	
NO. 108	
NO. 109	
NO. 110	
NO. 111	
NO. 112	
NO. 113	
NO. 114	
NO. 115	
NO. 116	
NO. 117	
NO. 118	
NO. 119	
NO. 120	
NO. 121	
NO. 122	
NO. 123	
NO. 124	
NO. 125	
NO. 126	
NO. 127	
NO. 128	
NO. 129	
NO. 130	
NO. 131	
NO. 132	
NO. 133	
NO. 134	
NO. 135	
NO. 136	
NO. 137	
NO. 138	
NO. 139	
NO. 140	
NO. 141	
NO. 142	
NO. 143	
NO. 144	
NO. 145	
NO. 146	
NO. 147	
NO. 148	
NO. 149	
NO. 150	
NO. 151	
NO. 152	
NO. 153	
NO. 154	
NO. 155	
NO. 156	
NO. 157	
NO. 158	
NO. 159	
NO. 160	
NO. 161	
NO. 162	
NO. 163	
NO. 164	
NO. 165	
NO. 166	
NO. 167	
NO. 168	
NO. 169	
NO. 170	
NO. 171	
NO. 172	
NO. 173	
NO. 174	
NO. 175	
NO. 176	
NO. 177	
NO. 178	
NO. 179	
NO. 180	
NO. 181	
NO. 182	
NO. 183	
NO. 184	
NO. 185	
NO. 186	
NO. 187	
NO. 188	
NO. 189	
NO. 190	
NO. 191	
NO. 192	
NO. 193	
NO. 194	
NO. 195	
NO. 196	
NO. 197	
NO. 198	
NO. 199	
NO. 200	

DATE	
BY	
NO.	
ORIGINAL SURVEY	
NO. 1	
NO. 2	
NO. 3	
NO. 4	
NO. 5	
NO. 6	
NO. 7	
NO. 8	
NO. 9	
NO. 10	
NO. 11	
NO. 12	
NO. 13	
NO. 14	
NO. 15	
NO. 16	
NO. 17	
NO. 18	
NO. 19	
NO. 20	
NO. 21	
NO. 22	
NO. 23	
NO. 24	
NO. 25	
NO. 26	
NO. 27	
NO. 28	
NO. 29	
NO. 30	
NO. 31	
NO. 32	
NO. 33	
NO. 34	
NO. 35	
NO. 36	
NO. 37	
NO. 38	
NO. 39	
NO. 40	
NO. 41	
NO. 42	
NO. 43	
NO. 44	
NO. 45	
NO. 46	
NO. 47	
NO. 48	
NO. 49	
NO. 50	
NO. 51	
NO. 52	
NO. 53	
NO. 54	
NO. 55	
NO. 56	
NO. 57	
NO. 58	
NO. 59	
NO. 60	
NO. 61	
NO. 62	
NO. 63	
NO. 64	
NO. 65	
NO. 66	
NO. 67	
NO. 68	
NO. 69	
NO. 70	
NO. 71	
NO. 72	
NO. 73	
NO. 74	
NO. 75	
NO. 76	
NO. 77	
NO. 78	
NO. 79	
NO. 80	
NO. 81	
NO. 82	
NO. 83	
NO. 84	
NO. 85	
NO. 86	
NO. 87	
NO. 88	
NO. 89	
NO. 90	
NO. 91	
NO. 92	
NO. 93	
NO. 94	
NO. 95	
NO. 96	
NO. 97	
NO. 98	
NO. 99	
NO. 100	
NO. 101	
NO. 102	
NO. 103	
NO. 104	
NO. 105	
NO. 106	
NO. 107	
NO. 108	
NO. 109	
NO. 110	
NO. 111	
NO. 112	
NO. 113	
NO. 114	
NO. 115	
NO. 116	
NO. 117	
NO. 118	
NO. 119	
NO. 120	
NO. 121	
NO. 122	
NO. 123	
NO. 124	
NO. 125	
NO. 126	
NO. 127	
NO. 128	
NO. 129	
NO. 130	
NO. 131	
NO. 132	
NO. 133	
NO. 134	
NO. 135	
NO. 136	
NO. 137	
NO. 138	
NO. 139	
NO. 140	
NO. 141	
NO. 142	
NO. 143	
NO. 144	
NO. 145	
NO. 146	
NO. 147	
NO. 148	
NO. 149	
NO. 150	
NO. 151	
NO. 152	
NO. 153	
NO. 154	
NO. 155	
NO. 156	
NO. 157	
NO. 158	
NO. 159	
NO. 160	
NO. 161	
NO. 162	
NO. 163	
NO. 164	
NO. 165	
NO. 166	
NO. 167	
NO. 168	
NO. 169	
NO. 170	
NO. 171	
NO. 172	
NO. 173	
NO. 174	
NO. 175	
NO. 176	
NO. 177	
NO. 178	
NO. 179	
NO. 180	
NO. 181	
NO. 182	
NO. 183	
NO. 184	
NO. 185	
NO. 186	
NO. 187	
NO. 188	
NO. 189	
NO. 190	
NO. 191	
NO. 192	
NO. 193	
NO. 194	
NO. 195	
NO. 196	
NO. 197	
NO. 198	
NO. 199	
NO. 200	

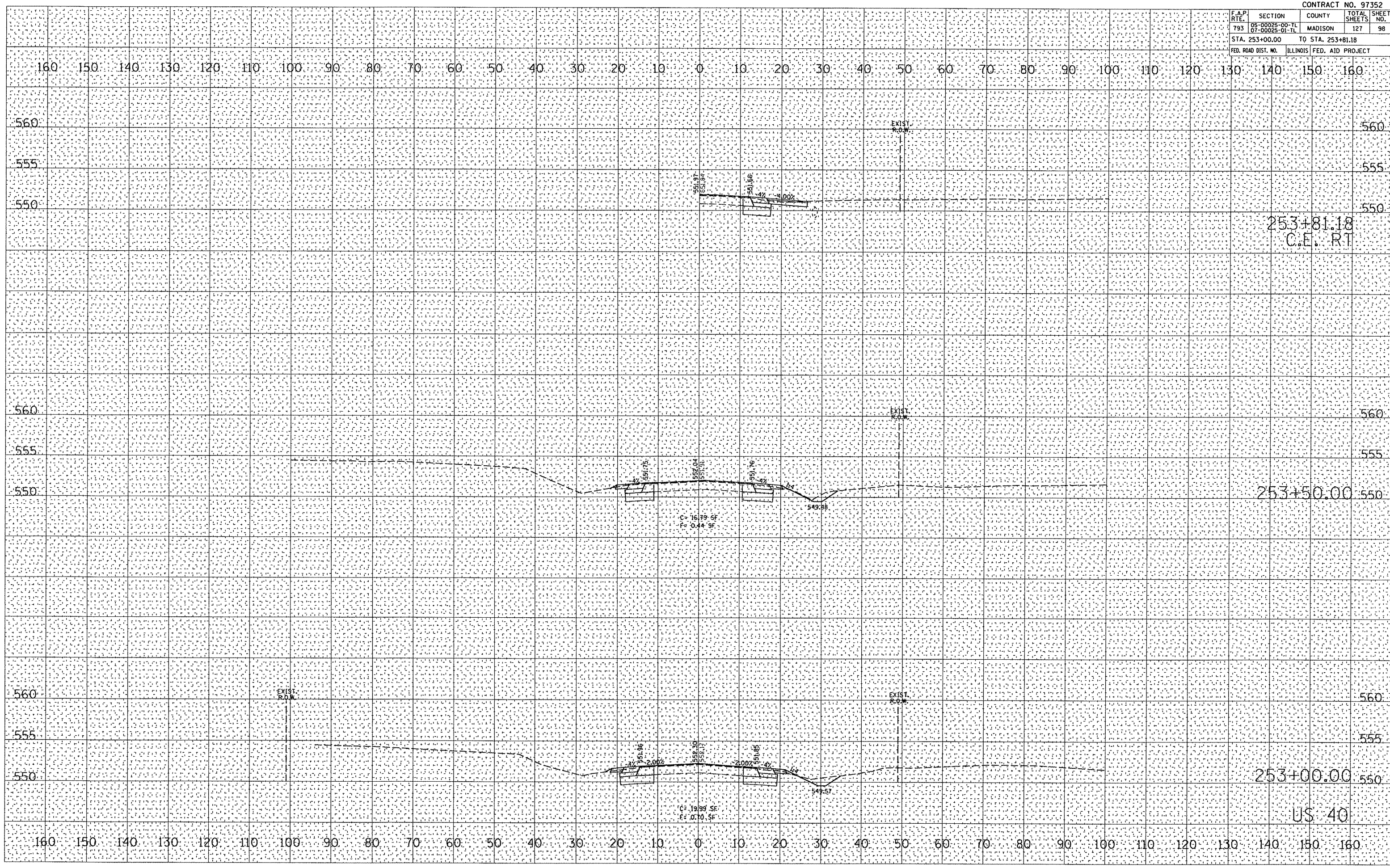


F.A.P. RTE.	SECTION	COUNTY	TOTAL SHEETS	SHEET NO.
793	05-00025-00-TL 07-00025-01-TL	MADISON	127	98
STA. 253+00.00		TO STA. 253+81.18		
FED. ROAD DIST. NO.		ILLINOIS FED. AID PROJECT		

BY	DATE

BY	DATE

PLOT DATE = 6/10/2008
 FILE NAME = P:\050162\050162\ssheets-US40.dgn
 PLOT SCALE = 2:11765 / IN.
 USER NAME = mktmiller

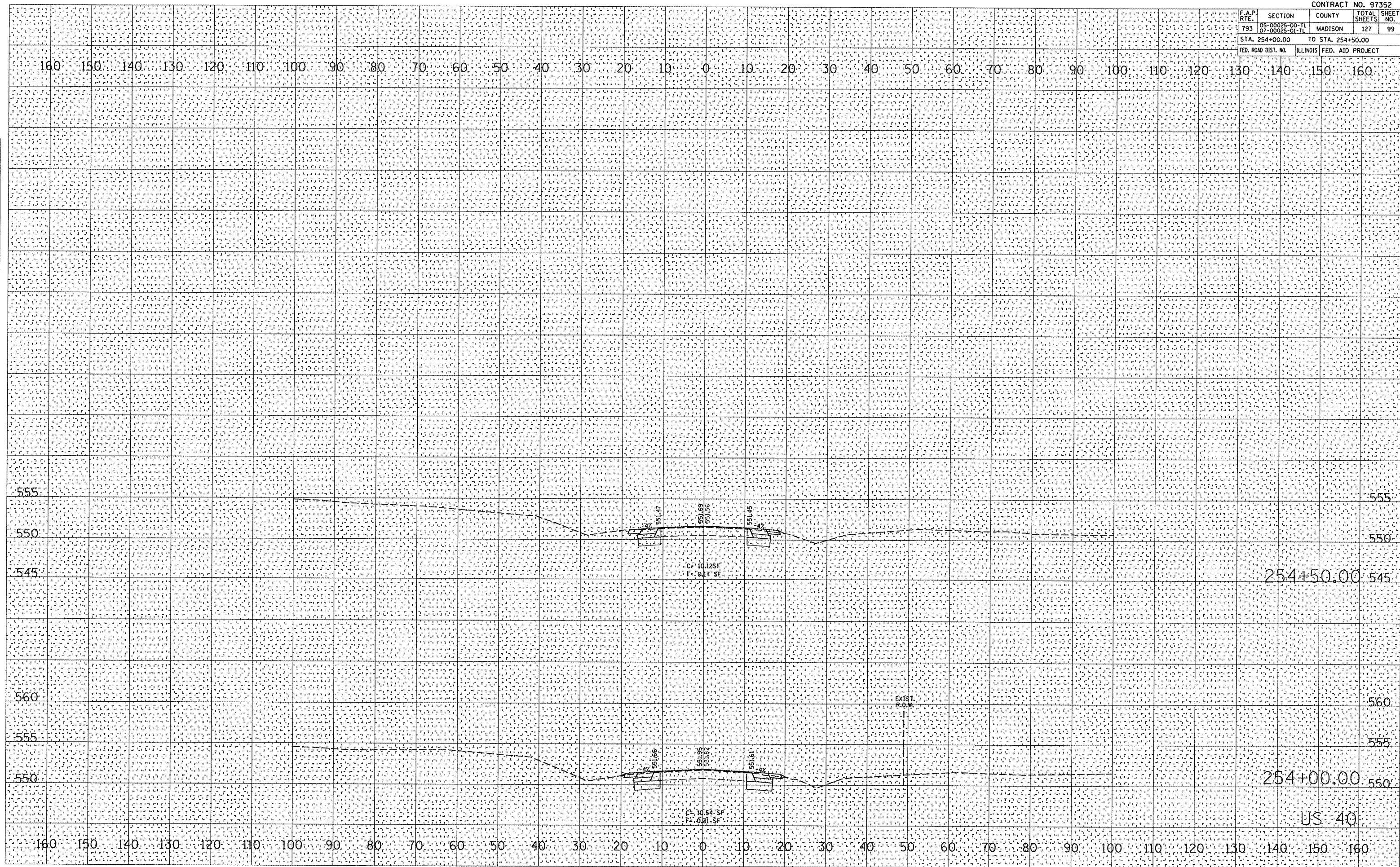


F.A.P. R/L	SECTION	COUNTY	TOTAL SHEETS	SHEET NO.
793	05-00025-00-TL 07-00025-01-TL	MADISON	127	99
STA. 254+00.00		TO STA. 254+50.00		
FED. ROAD DIST. NO.		ILLINOIS	FED. AID PROJECT	

DATE	
BY	
FINAL SURVEY	
NOTE BOOK	
AREAS CHECKED	
NO.	

DATE	
BY	
ORIGINAL SURVEY	
NOTE BOOK	
AREAS CHECKED	
NO.	

PLOT DATE = 6/10/2008
 FILE NAME = P:\050025\05\07\00025-01-TL.dwg
 USER NAME = jmcnamara

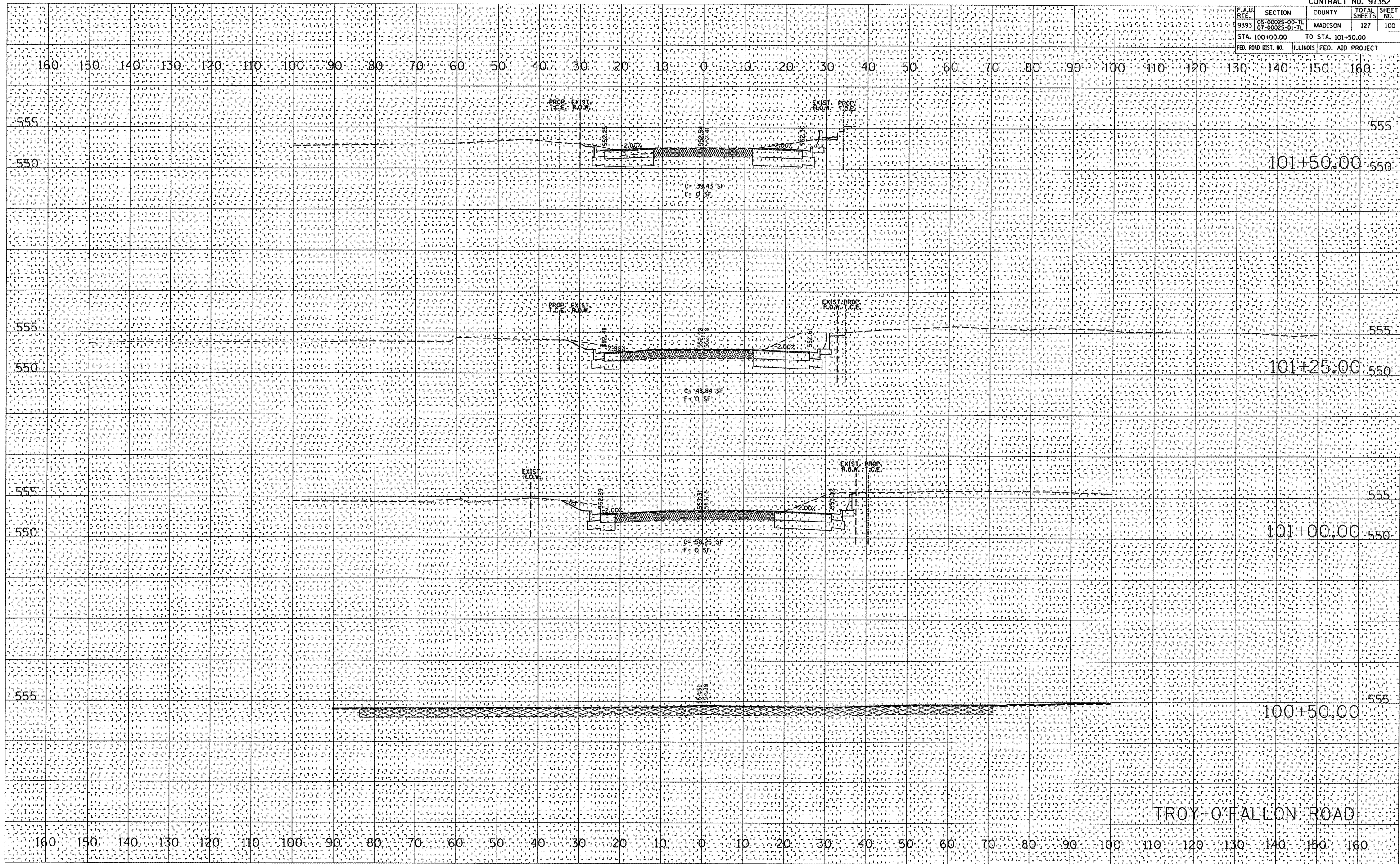


F.A.U. RTE.	SECTION	COUNTY	TOTAL SHEETS	SHEET NO.
9393	05-00025-00-TL 07-00025-01-TL	MADISON	127	100
STA. 100+00.00		TO STA. 101+50.00		
FED. ROAD DIST. NO.		ILLINOIS FED. AID PROJECT		

DATE	
BY	
FINAL SURVEY	
NOTED	
NO. _____	
AREAS CHECKED	

DATE	
BY	
ORIGINAL SURVEY	
NOTED	
NO. _____	
AREAS CHECKED	

PLOT DATE = 7/16/2008
 FILE NAME = P:\050162\050162.dgn
 PLOT SCALE = 21.1765 / IN.
 USER NAME = msk11ml11r

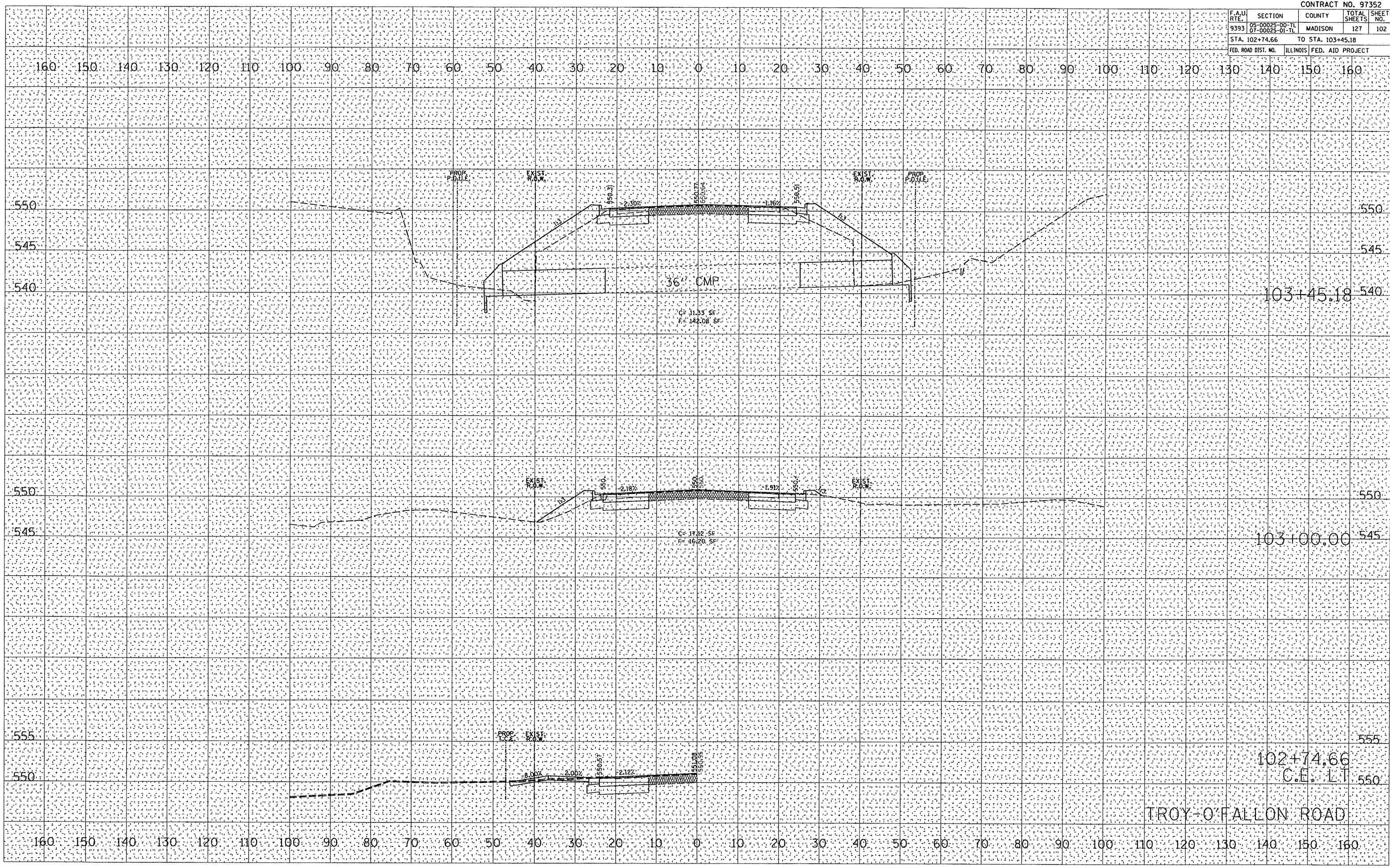


F.A.U. RTE.	SECTION	COUNTY	TOTAL SHEETS	SHEET NO.
9393	05-00025-00-TL 07-00025-01-TL	MADISON	127	102
STA. 102+74.66		TO STA. 103+45.18		
FED. ROAD DIST. NO.		ILLINOIS FED. AID PROJECT		

DATE	BY

DATE	BY

PLOT DATE = 6/16/2008
 FILE NAME = P:\050162\050162xssheets-TROF.dgn
 PLOT SCALE = 21.768 / IN.
 USER NAME = mhstzml18r

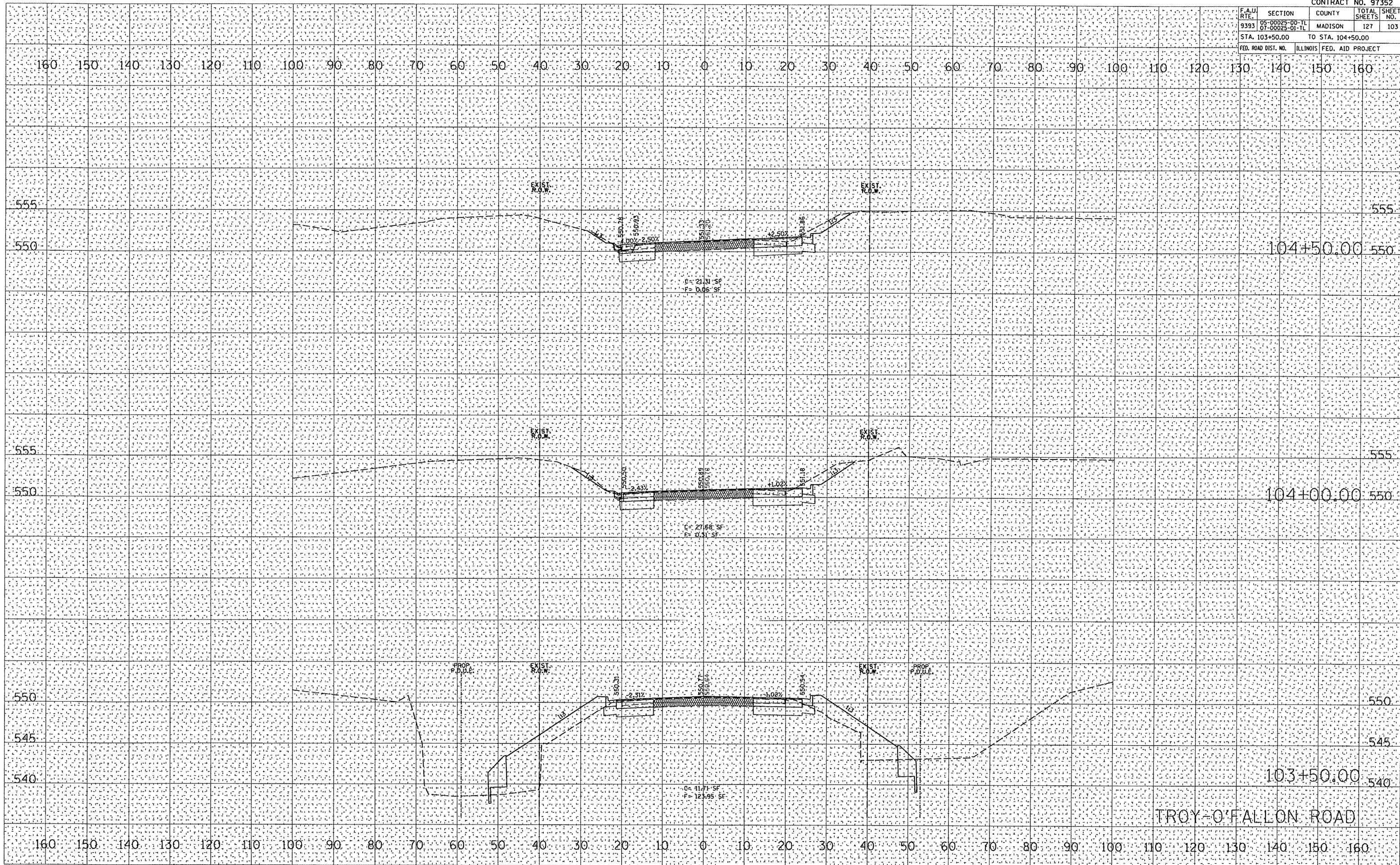


CONTRACT NO. 97352			
F.A.U. RTE.	SECTION	COUNTY	TOTAL SHEETS
9393	05-00025-00-TL 07-00023-01-TL	MADISON	127 103
STA. 103+50.00		TO STA. 104+50.00	
FED. ROAD DIST. NO.	ILLINOIS FED. AID PROJECT		

DATE	
BY	
FINAL SURVEY	
SURVEYED	
NO. OF SHEETS	
NO. OF PLATES	
NO. OF AREAS CHECKED	

DATE	
BY	
ORIGINAL SURVEY	
SURVEYED	
NO. OF SHEETS	
NO. OF PLATES	
NO. OF AREAS CHECKED	

PLOT DATE : 6/16/2008
 FILE NAME : P:\050162\050162.dgn
 PLOT SCALE : 2.1785 / IN.
 USER NAME : mactimier



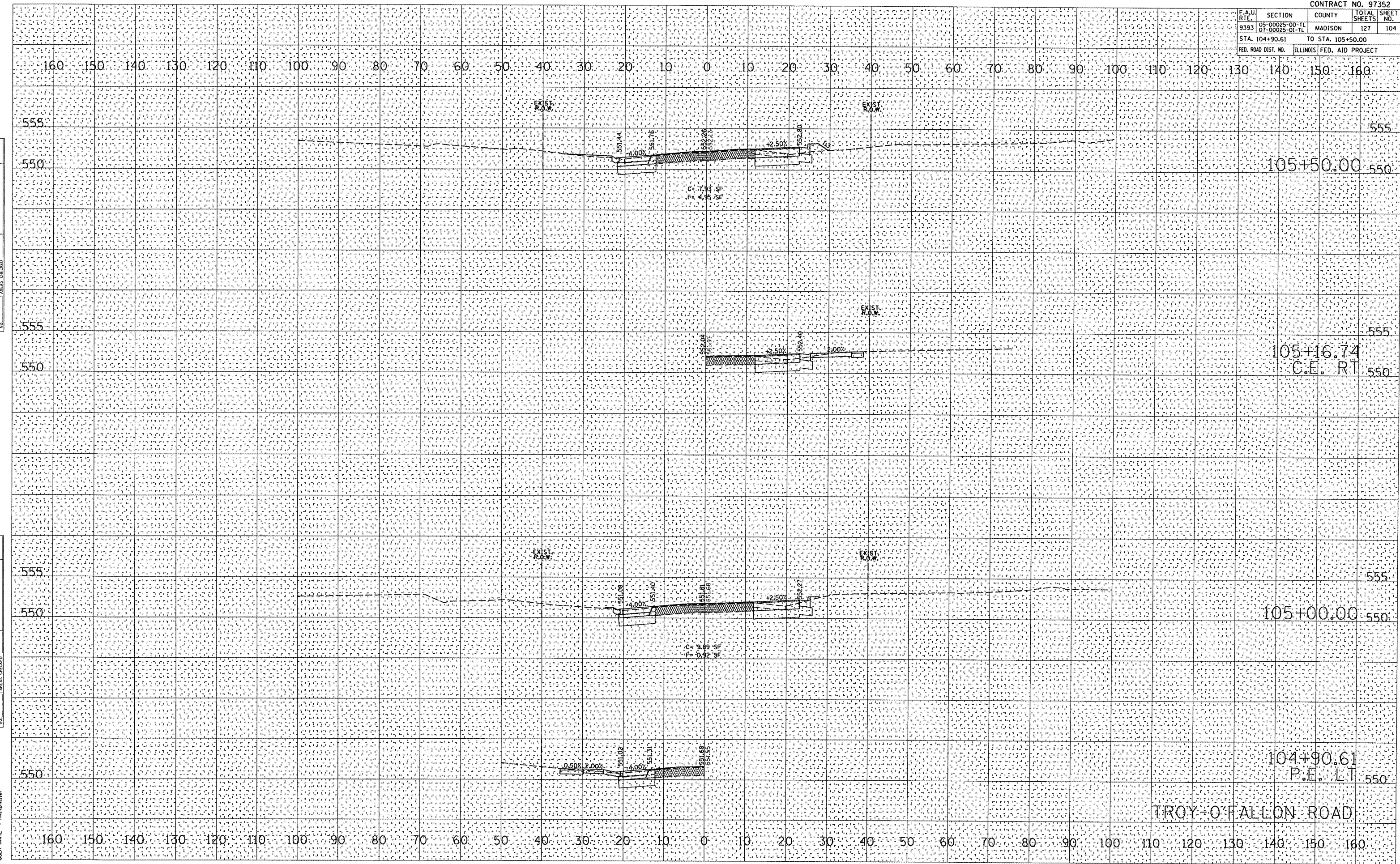
TROY-O'FALLON ROAD

F.A.U. RTE.	SECTION	COUNTY	TOTAL SHEETS	SHEET NO.
9393	05-00025-00-TL 07-00025-01-TL	MADISON	127	104
STA. 104+90.61		TO STA. 105+50.00		
FED. ROAD DIST. NO.	ILLINOIS FED. AID PROJECT			

DATE	
BY	
FINAL SURVEY	
SURVEY	
NOTE BOOK	
TEMPLATE	
AREAS CHECKED	
NO.	

DATE	
BY	
ORIGINAL SURVEY	
SURVEY	
NOTE BOOK	
TEMPLATE	
AREAS CHECKED	
NO.	

PLOT DATE = 6/10/2008
 FILE NAME = P:\050162\050162.dgn
 PLOT SCALE = 2.1795" = 1'
 USER NAME = mcmiller

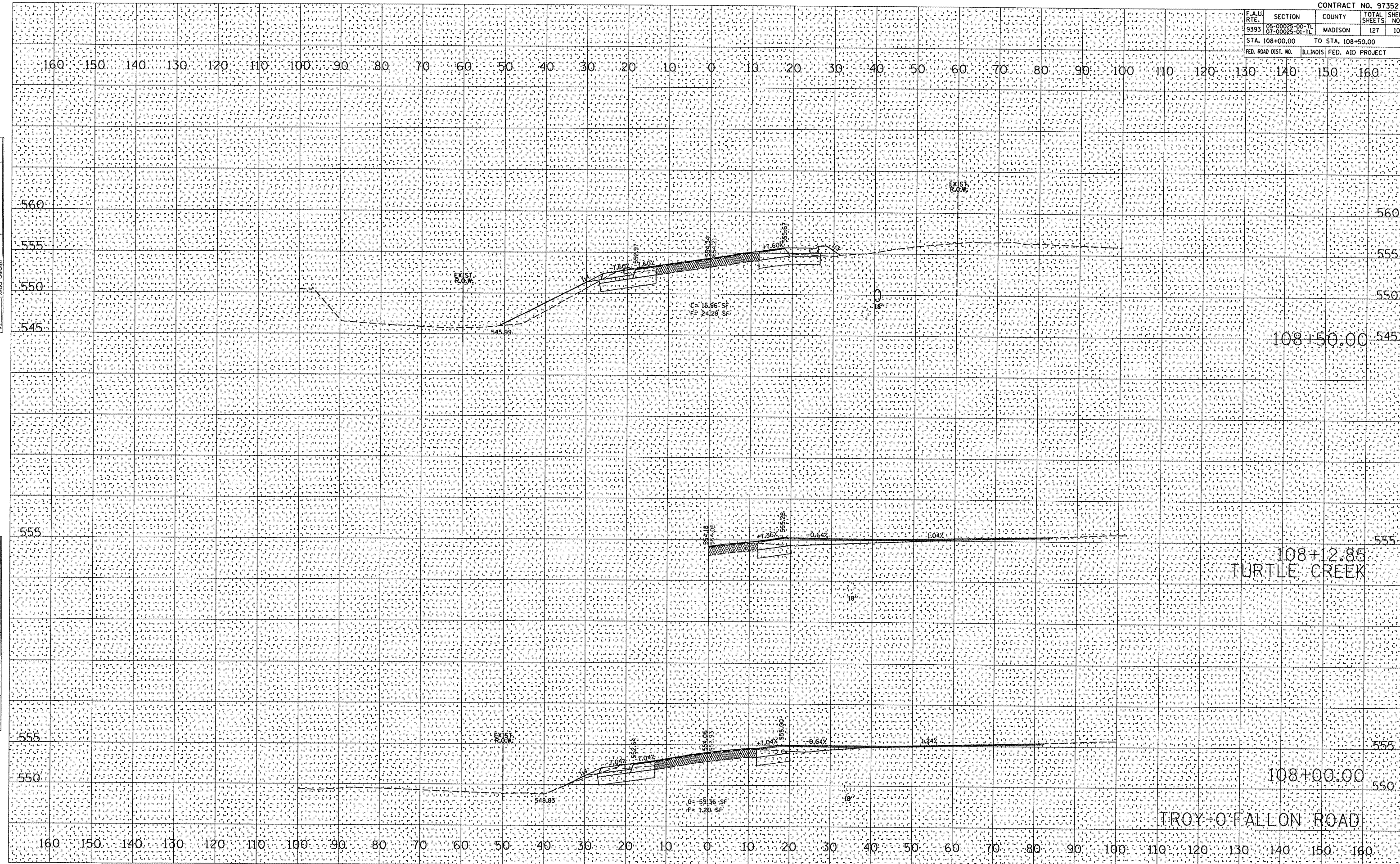


F.A.U. RTE.	SECTION	COUNTY	TOTAL SHEETS	SHEET NO.
9393	05-00025-00-TL 07-00025-01-TL	MADISON	127	107
STA. 108+00.00		TO STA. 108+50.00		
FED. ROAD DIST. NO.	ILLINOIS	FED. AID PROJECT		

DATE	
BY	
REVISIONS	
NO.	
DATE	
BY	
REVISIONS	
NO.	
DATE	
BY	
REVISIONS	
NO.	
DATE	
BY	
REVISIONS	
NO.	
DATE	
BY	
REVISIONS	
NO.	

DATE	
BY	
REVISIONS	
NO.	
DATE	
BY	
REVISIONS	
NO.	
DATE	
BY	
REVISIONS	
NO.	
DATE	
BY	
REVISIONS	
NO.	
DATE	
BY	
REVISIONS	
NO.	

PLOT DATE: 6/10/2008
 PLOT SCALE: 2"=100'
 USER NAME: mktzmlr

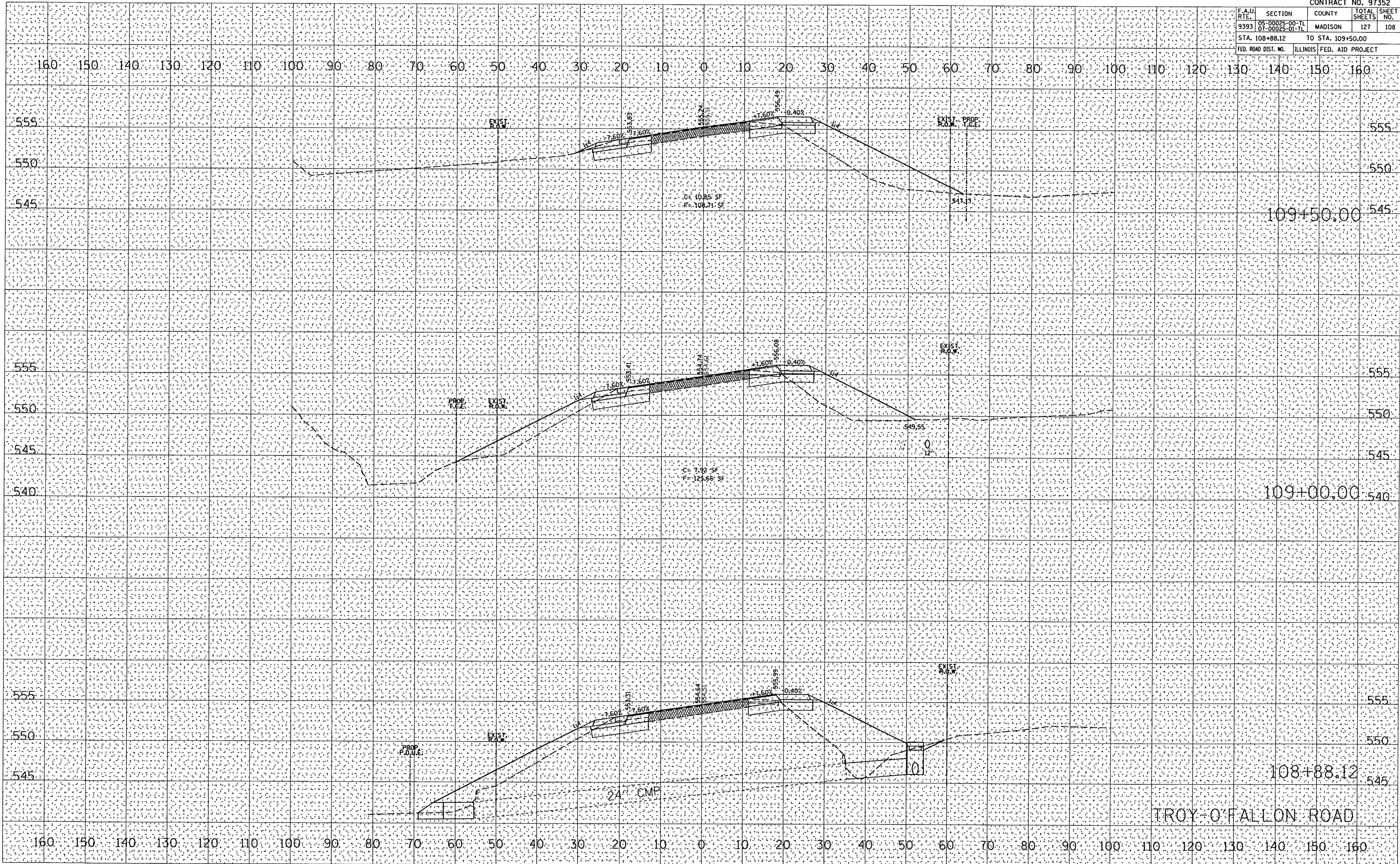


F.A.U. RTE.	SECTION	COUNTY	TOTAL SHEETS	SHEET NO.
9393	06-00025-00-TL 07-00025-01-TL	MADISON	127	108
STA. 108+88.12		TO STA. 109+50.00		
FED. ROAD DIST. NO.	ILLINOIS FED. AID PROJECT			

DATE	
BY	
FINAL SURVEY	
NOTE BOOK	
NO.	

DATE	
BY	
ORIGINAL SURVEY	
PLOTTED	
NO.	

PLOT DATE = 6/10/2008
 FILE NAME = P:\050162\050162xsheets-TROF.dgn
 PLOT SCALE = 21.750 / IN.
 USER NAME = mltomlin

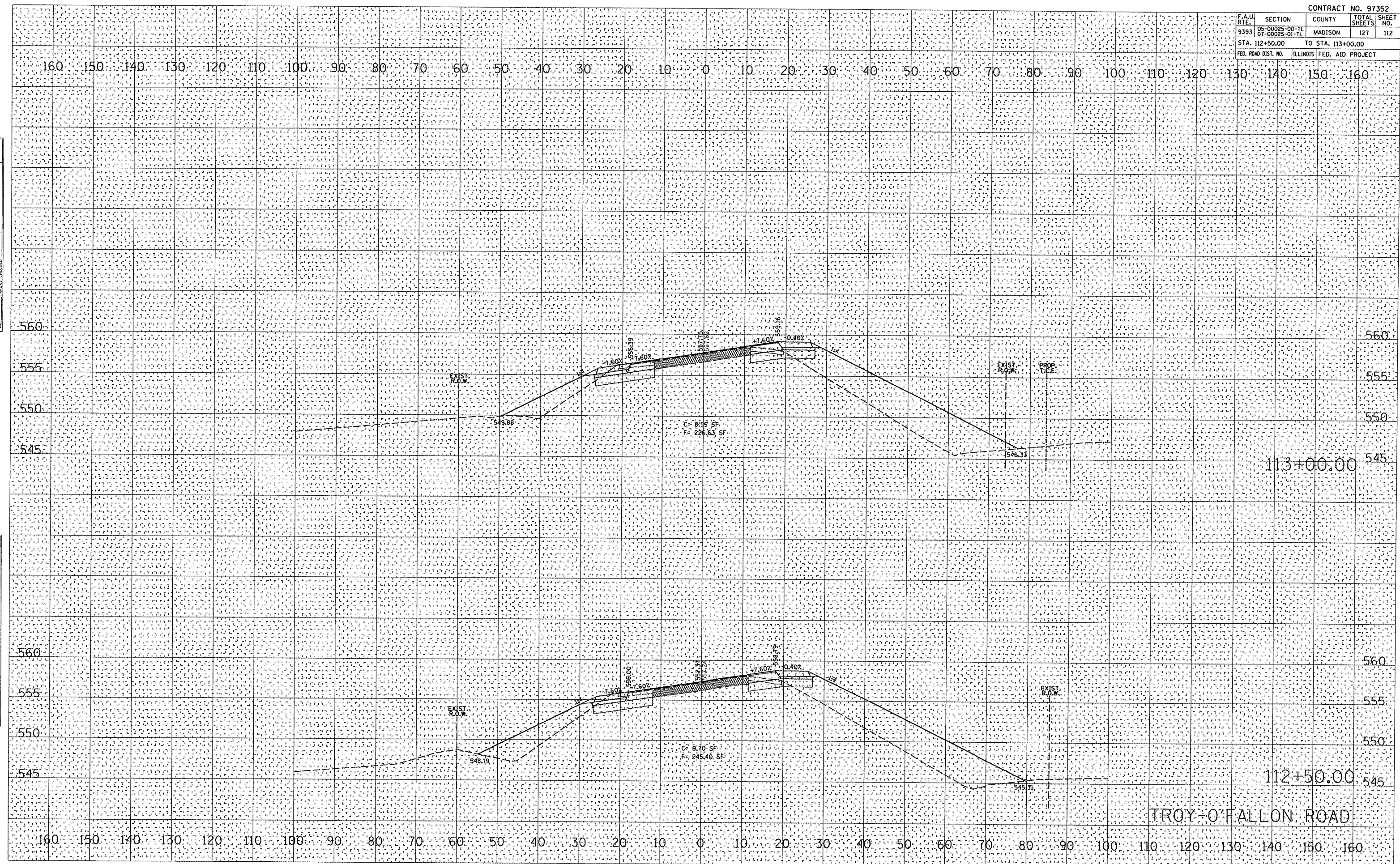


CONTRACT NO. 97352			
F.A.U. RTE.	SECTION	COUNTY	TOTAL SHEETS
9393	09-00025-00-TL 01-00025-01-TL	MADISON	127 112
STA. 112+50.00		TO STA. 113+00.00	
FED. ROAD DIST. NO.	ILLINOIS	FED. AID PROJECT	

DATE	
BY	
FINAL SURVEY	
SUBMITTED	
NOTED BOOK	
NO. PLOTTED	
TEMPLATE	
AREAS CHECKED	

DATE	
BY	
ORIGINAL SURVEY	
PLOTTED	
TEMPLATE	
AREAS CHECKED	

PLOT DATE : 6/10/2008
 PLOT SCALE : 21.750' IN
 USER NAME : ehltm11ar

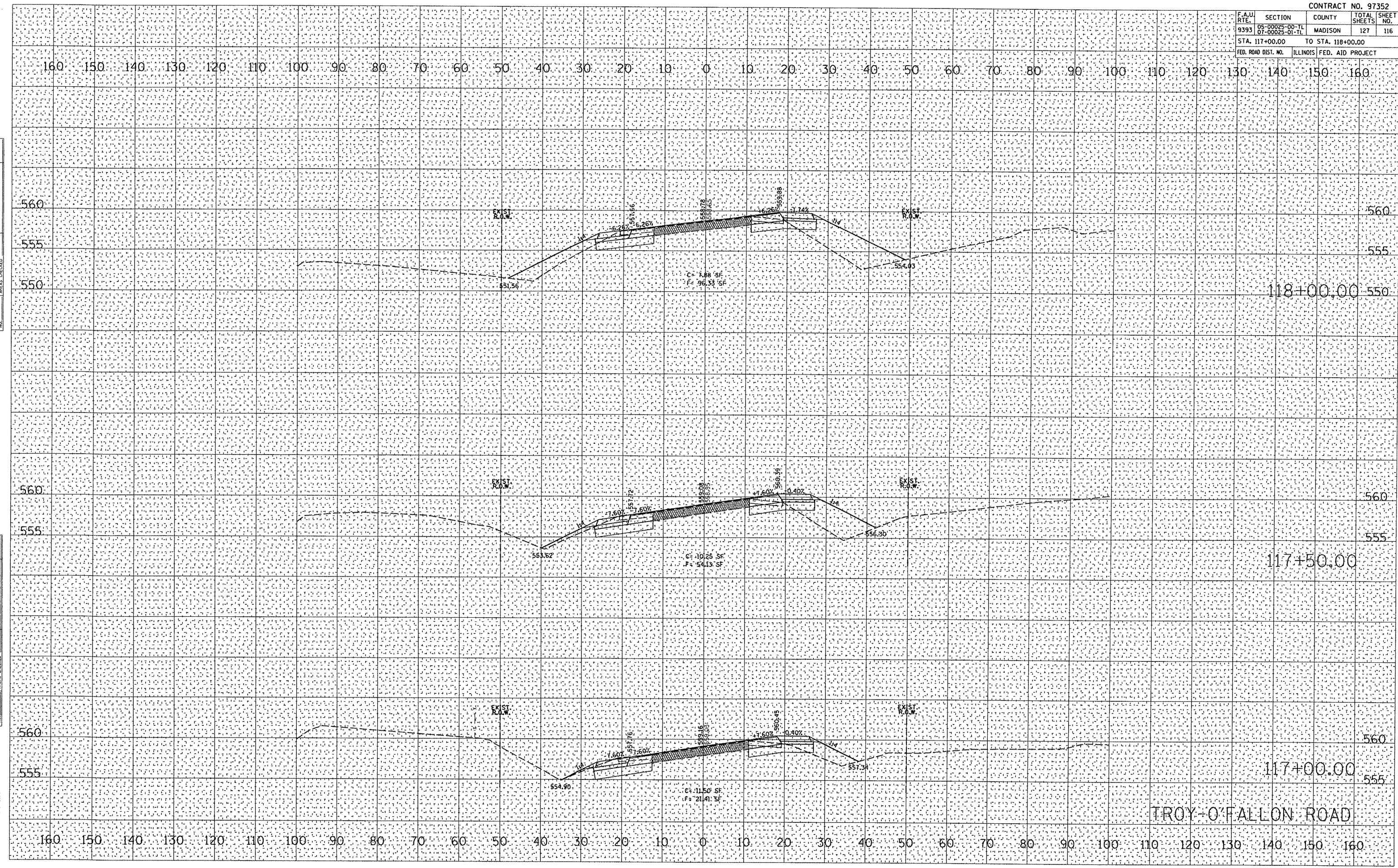


F.A.U. RTE.	SECTION	COUNTY	TOTAL SHEETS	SHEET NO.
9393	05-00025-00-TL 07-00025-01-TL	MADISON	127	116
STA. 117+00.00		TO STA. 118+00.00		
FED. ROAD DIST. NO.		ILLINOIS FED. AID PROJECT		

DATE	BY

DATE	BY

PLOT DATE = 6/10/2008
 FILE NAME = P:\050162\050162\050162\050162.dgn
 USER NAME = mltanner



TROY-O'FALLON ROAD

F.A.U. RTE.	SECTION	COUNTY	TOTAL SHEETS	SHEET NO.
9393	05-00025-00-TL 07-00025-01-TL	MADISON	127	117
STA. 118+50.00		TO STA. 119+49.16		
FED. ROAD DIST. NO.		ILLINOIS FED. AID PROJECT		

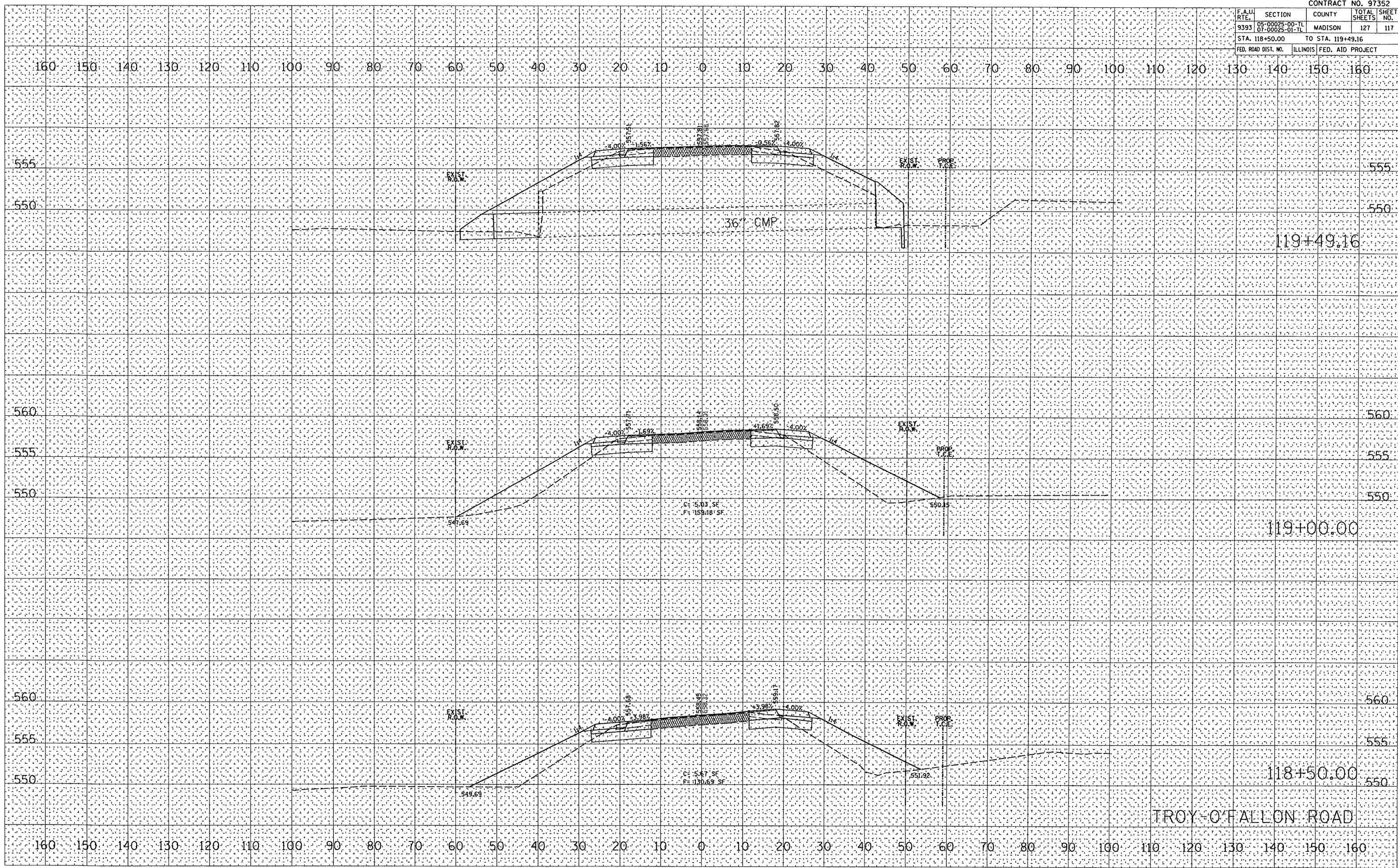
DATE	BY

FINAL SURVEY	SURVEYED
NOTE BOOK	TEMPLATE
NO.	AREAS CHECKED

DATE	BY

ORIGINAL SURVEY	SURVEYED
NOTE BOOK	TEMPLATE
NO.	AREAS CHECKED

PLOT DATE : 6/16/2008
 FILE NAME : P:\050162\050162.dgn
 PLOT SCALE : 21.1765 / IN.
 USER NAME : mks1miller



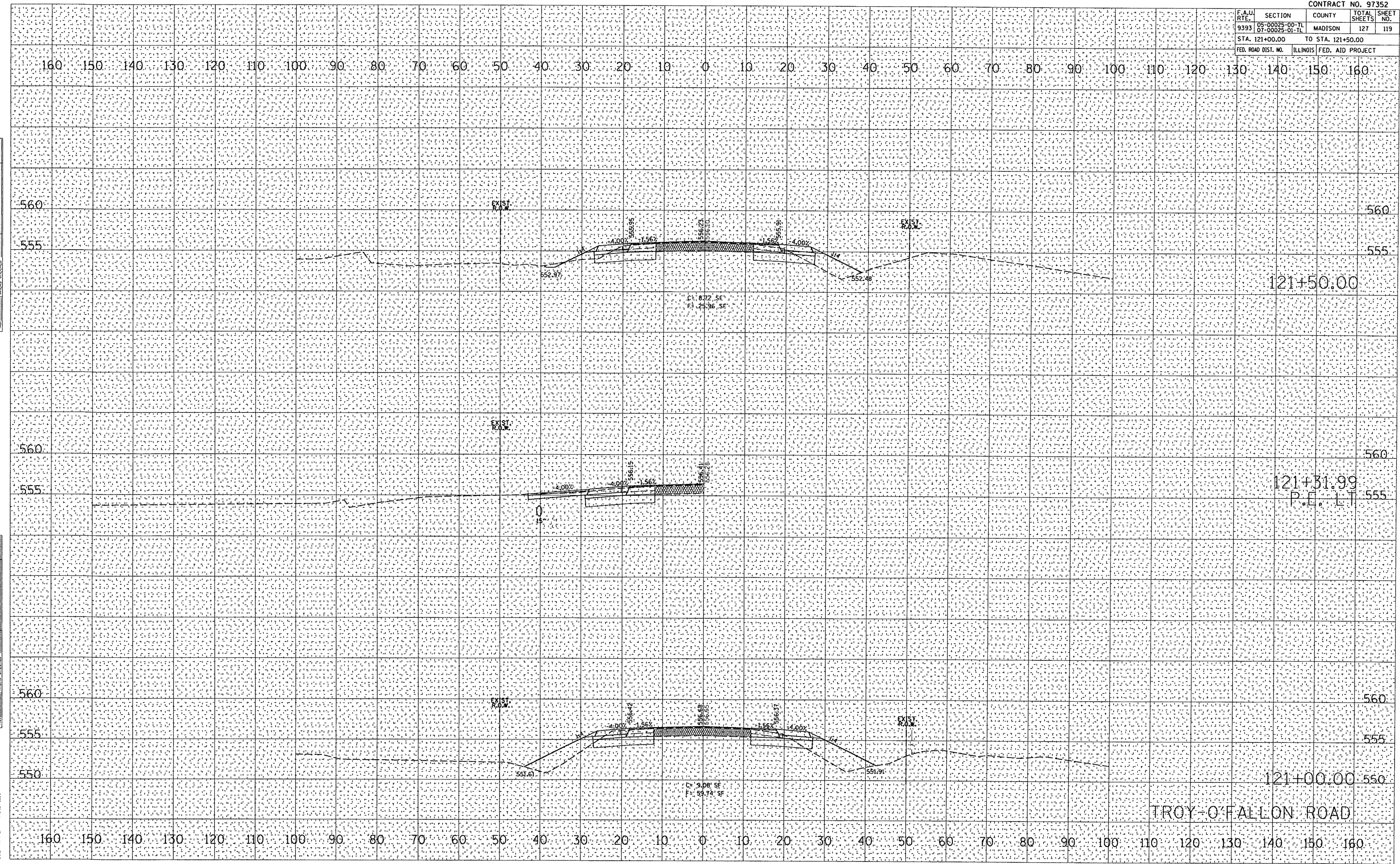
F.A.U. RTE.	SECTION	COUNTY	TOTAL SHEETS	SHEET NO.
9393	05-00025-00-TL 07-00025-01-TL	MADISON	127	119
STA. 121+00.00		TO STA. 121+50.00		
FED. ROAD DIST. NO.		ILLINOIS FED. AID PROJECT		

DATE	BY

DATE	BY

DATE	BY

PLOT DATE: 6/10/2008
 FILE NAME: P:\050162\050162.dgn
 USER NAME: Administrator



F.A.U. RTE.	SECTION	COUNTY	TOTAL SHEET NO.
9393	05-00025-00-TL 07-00025-01-TL	MADISON	127 121
STA. 123+50.00		TO STA. 124+50.00	
FED. ROAD DIST. NO.	ILLINOIS	FED. AID PROJECT	

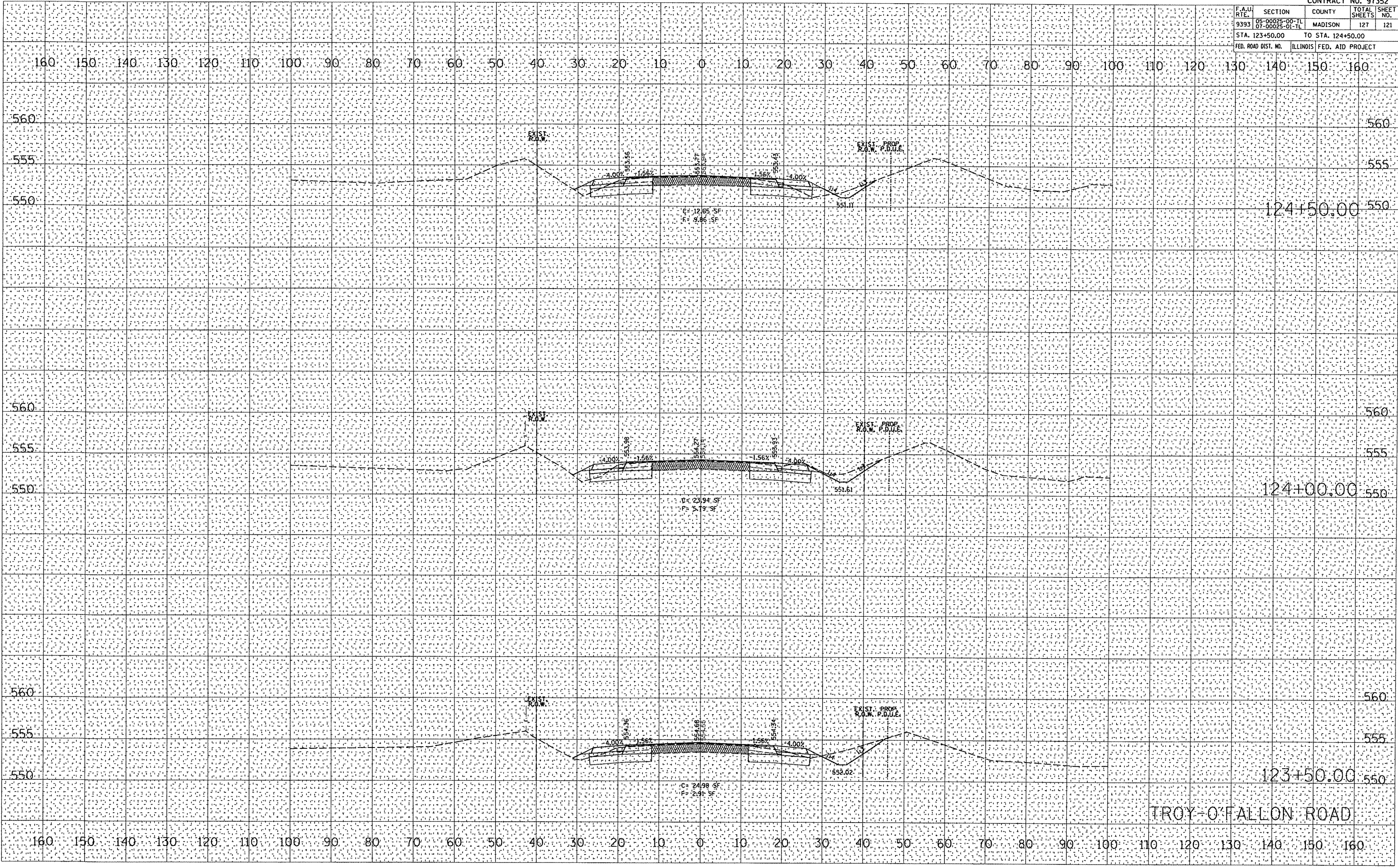
DATE	BY

NO.	REVISIONS

DATE	BY

NO.	REVISIONS

PLOT DATE = 6/10/2008
 FILE NAME = P:\0501020\dgn\0501020.dgn
 USER NAME = jsh



F.A.U. RTE.	SECTION	COUNTY	TOTAL SHEETS	SHEET NO.
9393	06-00025-00-TL 07-00025-01-TL	MADISON	127	127
STA. 131+00.00		TO STA. 131+00.00		
FED. ROAD DIST. NO.	ILLINOIS FED. AID PROJECT			

DATE	
BY	
FINAL SURVEY	
NOTE BOOK	
AREAS CHECKED	
NO.	

DATE	
BY	
ORIGINAL SURVEY	
NOTE BOOK	
AREAS CHECKED	
NO.	

PLOT DATE = 6/10/2008
 FILE NAME = P:\050162\dgn\050162xsheets-TROF.dgn
 PLOT SCALE = 21.7765 / IN.
 USER NAME = mh123456

