

025

09-20-2019 LETTING ITEM 025

STATE OF ILLINOIS
DEPARTMENT OF TRANSPORTATION

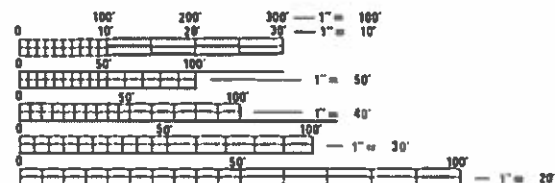
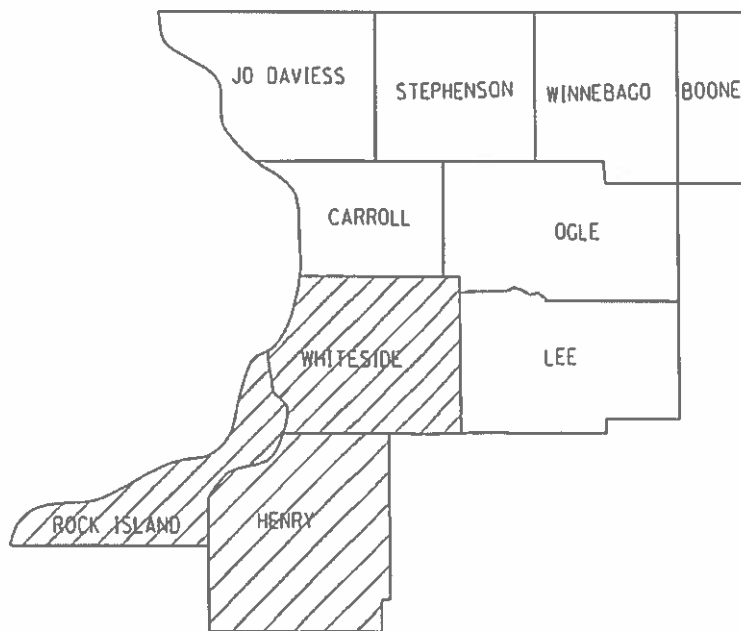
F.A. STATE	SECTION	COUNTY	TOTAL SHEETS
VAR.	D2 BC 2020-5	VARIOUS	11
REVISIONS			CONTRACT NO. 64

FOR INDEX OF SHEETS, SEE SHEET NO. 2
FOR STATE STANDARDS, SEE SHEET NO. 2

PROPOSED HIGHWAY PLANS

VARIOUS ROUTES
SECTION D2 BC 2020-5
PROJECT: STP-DMSM(654)
TYPE of IMPROVEMENT: BRIDGE WASHING
VARIOUS COUNTIES

C-92-071-19



FULL SIZE PLANS HAVE BEEN PREPARED USING STANDARD ENGINEERING SCALES. REDUCED SIZED PLANS WILL NOT CONFORM TO STANDARD SCALES. IN MAKING MEASUREMENTS ON REDUCED PLANS, THE ABOVE SCALES MAY BE USED.

J.U.L.I.E.
JOINT UTILITY LOCATION INFORMATION FOR EXCAVATION
1-800-892-0123
OR 811

PROJECT ENGINEER: DAVID DOSS (815) 284-5416
PROJECT MANAGER: MAHMOUD ETEMADI (815) 284-5393

CONTRACT NO. 64N82

STATE OF ILLINOIS
DEPARTMENT OF TRANSPORTATION

SUBMITTED June 12, 2019

[Signature]
REGIONAL ENGINEER

Aug 16, 2019
[Signature]
ENGINEER OF DESIGN AND ENVIRONMENT

Aug 16, 2019
[Signature]
DIRECTOR OF HIGHWAYS PROJECT IMPLEMENTATION

PRINTED BY THE AUTHORITY
OF THE STATE OF ILLINOIS

INDEX OF SHEETS

- 1 COVER SHEET
- 2 INDEX OF SHEETS & STATE STANDARDS
- 3 SUMMARY OF QUANTITIES
- 4 SCHEDULE OF QUANTITIES
- 5 LOCATION MAP HENRY COUNTY
- 6 LOCATION MAP ROCK ISLAND COUNTY
- 7 LOCATION MAP WHITESIDE COUNTY
- 8-11 DISTRICT STANDARD 38.1

STATE STANDARDS

- 701006-05 OFF-ROAD OPERATIONS, 2L, 2W, 15'(4.5m) TO 24" (600mm) FROM PAVEMENT EDGE
- 701101-05 OFF-ROAD OPERATIONS, MULTILANE, 15'(4.5m) TO 24"(600mm) FROM PAVEMENT EDGE
- 701400-09 APPROACH TO LANE CLOSURE, FREEWAY/EXPRESSWAY
- 701406-12 LANE CLOSURE, FREEWAY/EXPRESSWAY, DAY OPERATIONS ONLY
- 701411-09 LANE CLOSURE, MULTILANE, AT ENTRANCE OR EXIT RAMP, FOR SPEEDS > 45 MPH
- 701501-06 URBAN LANE CLOSURE, 2L, 2W, UNDIVIDED
- 701601-09 URBAN LANE CLOSURE, MULTILANE, 1W OR 2W WITH NONTRAVERSABLE MEDIAN
- 701901-08 TRAFFIC CONTROL DEVICES
- 720011-01 METAL POSTS FOR SIGNS, MARKERS AND DELINEATORS
- 728001-01 TELESCOPING STEEL SIGN SUPPORT
- 729001-01 APPLICATIONS OF TYPES A & B METAL POSTS (FOR SIGNS & MARKERS)

MODEL: Default
 FILE: \\blm1c1.pva\pub\lansroom\data\illinois.gov\PWIDOT\Documents\IDOT_Offices\District 2\Projects\Operations\Bridges_Sections\Bridges_Washington_Contract\2020\64N82_Bridges_Washington_at_various_locations_over_Rock_Island_64N82-rt-cover.dgn

USER NAME = dssdd	DESIGNED - _____	REVISED - _____	STATE OF ILLINOIS DEPARTMENT OF TRANSPORTATION	INDEX OF SHEETS & STATE STANDARDS		F.A. RTÉ.	SECTION	COUNTY	TOTAL SHEETS	SHEET NO.
PLOT SCALE = 100,0000 ' / in.	CHECKED - _____	REVISED - _____				VAR.	D2 BC 2020-5	VARIOUS	11	2
PLOT DATE = May-21-2019 10:59:44 AM	DATE - _____	REVISED - _____		SCALE: _____ SHEET ____ OF ____ SHEETS STA. _____ TO STA. _____		CONTRACT NO. 64N82				
						ILLINOIS FED. AID PROJECT				

SUMMARY OF QUANTITIES

Paycode	Description	Units	0047 STP-FLEX 90% FEDERAL 10% STATE	Total
59200101	BRIDGE WASHING NO. 1	EACH	1	1
59200102	BRIDGE WASHING NO. 2	EACH	1	1
59200103	BRIDGE WASHING NO. 3	EACH	1	1
59200104	BRIDGE WASHING NO. 4	EACH	1	1
59200105	BRIDGE WASHING NO. 5	EACH	1	1
59200106	BRIDGE WASHING NO. 6	EACH	1	1
67100100	MOBILIZATION	L SUM	1	1
70100420	TRAFFIC CONTROL AND PROTECTION, STANDARD 701411	EACH	4	4
70100700	TRAFFIC CONTROL AND PROTECTION, STANDARD 701406	L SUM	1	1
70102620	TRAFFIC CONTROL AND PROTECTION, STANDARD 701501	L SUM	1	1

MODEL: Default
FILE: h:\a\11\11-000000.dwg
PROJECT: Operations\Bridges_Section\Bridges_Washing_Contract\2020\64N82_Bridges_Washing_at_various_locations_over_Rock_River_65\CAD\11-000000.dwg

USER NAME = drossdd	DESIGNED - _____	REVISED - _____
PLOT SCALE = 100,0000' / in.	CHECKED - _____	REVISED - _____
PLOT DATE = May-03-2019 07:44:29 AM	DATE - _____	REVISED - _____

**STATE OF ILLINOIS
DEPARTMENT OF TRANSPORTATION**

SUMMARY OF QUANTITIES

SCALE: _____ SHEET ____ OF ____ SHEETS STA. _____ TO STA. _____

F.A. RTÉ.	SECTION	COUNTY	TOTAL SHEETS	SHEET NO.
VAR.	D2 BC 2020-5	VARIOUS	11	3
CONTRACT NO. 64N82				
ILLINOIS FED. AID PROJECT				

SCHEDULE OF QUANTITIES

Pay Item	Project Location	SN	Facility Carried	Feature Crossed	Bridge Location	Traffic Control
BRIDGE WASHING NO. 1	1	037-0021	FAI 80 SB	Rock River	At Rock Island Co. Line	701400 701406
BRIDGE WASHING NO. 2		037-0022	FAI 80 NB	Rock River	At Rock Island Co. Line	701400 701406
BRIDGE WASHING NO. 3	2	081-0161	FAI 74 SB	Rock River / Side Roads	S Edge Moline	701400, 701406, 701411, 701501
BRIDGE WASHING NO. 4		081-0162	FAI 74 NB	Rock River / Side Roads	S Edge Moline	701400, 701406, 701411, 701501
BRIDGE WASHING NO. 5	3	098-0079	FAI 88	Rock River	3 Mi West of Rock Falls	701400, 701406, 701411
BRIDGE WASHING NO. 6		098-0080	FAI 88	Rock River	3 Mi West of Rock Falls	701400, 701406, 701411

MODEL: Default
 FILE: Model: Bridge Washings over Rock River (6)CAD0016482-rt-cover.dgn
 PROJECT: 2020-04N82 - Bridge Washings at various locations over Rock River (6)CAD0016482-rt-cover.dgn
 PROJECTS: 2020-04N82 - Bridge Washings at various locations over Rock River (6)CAD0016482-rt-cover.dgn
 OFFICE: District 2
 DATE: May-03-2019 07:44:36 AM

USER NAME = dssdd	DESIGNED - _____	REVISED - _____
	DRAWN - _____	REVISED - _____
PLOT SCALE = 100,0000' / in.	CHECKED - _____	REVISED - _____
PLOT DATE = May-03-2019 07:44:36 AM	DATE - _____	REVISED - _____

**STATE OF ILLINOIS
DEPARTMENT OF TRANSPORTATION**

SCHEDULE OF QUANTITIES

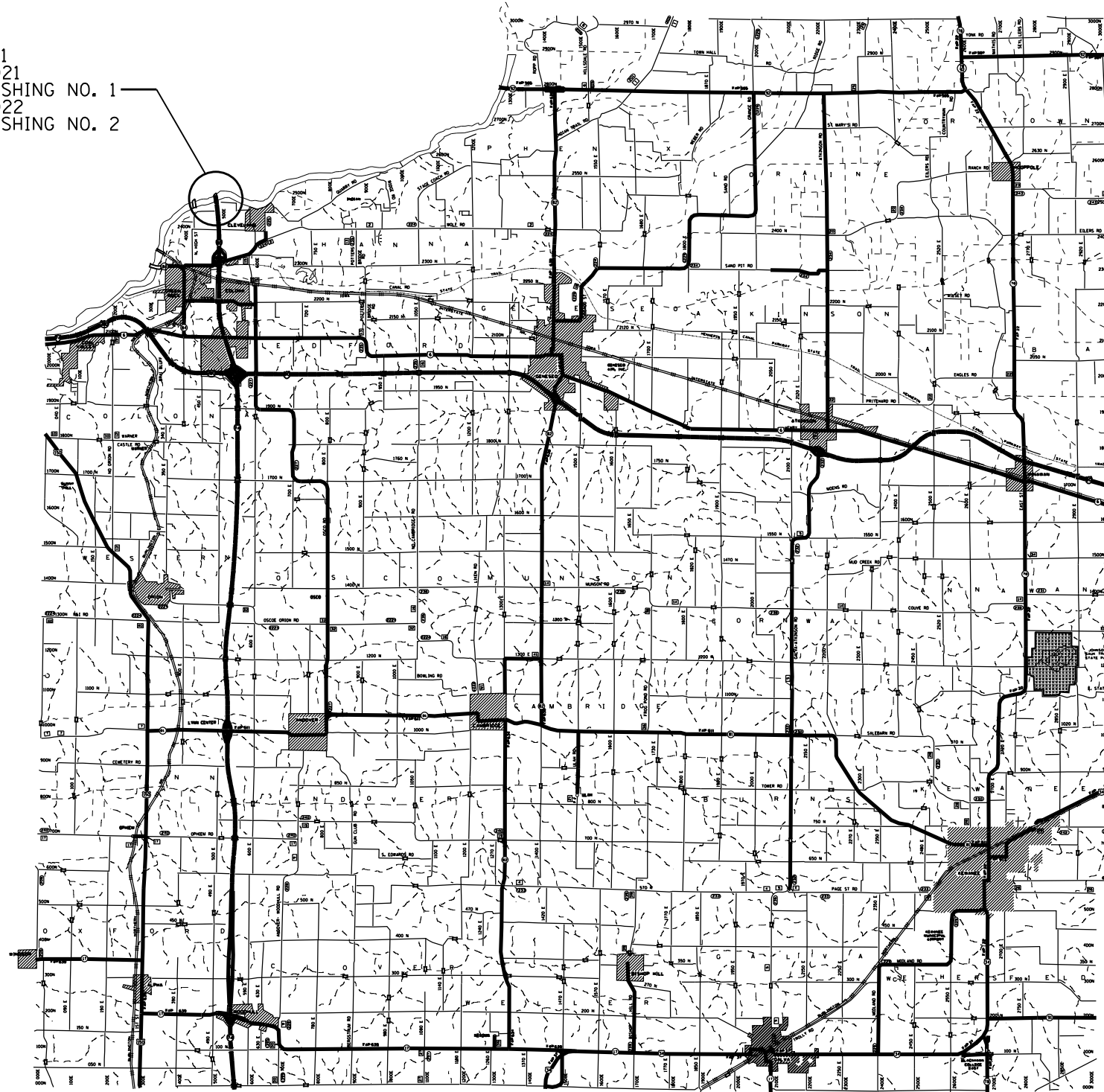
SCALE: _____ SHEET ____ OF ____ SHEETS STA. _____ TO STA. _____

F.A. RTÉ.	SECTION	COUNTY	TOTAL SHEETS	SHEET NO.
VAR.	D2 BC 2020-5	VARIOUS	11	4
CONTRACT NO. 64N82				
ILLINOIS		FED. AID PROJECT		

HENRY COUNTY



LOCATION 1
 SN 037-0021
 BRIDGE WASHING NO. 1
 SN 037-0022
 BRIDGE WASHING NO. 2



MODEL: Default
 FILE: h:\a\h\c:\pub\planroom\dat\illinois.gov\PW\DOT\Documents\DOT_Offices\District_2\Projects\Operations\Bridges_Sections\Bridges_Washing_Contracts\2020\64N82_Bridges_Washing_at_various_locations_over_Rock_River_65\CADD\64N82-ht-cover.dgn

USER NAME = dossed	DESIGNED - _____	REVISED - _____
	DRAWN - _____	REVISED - _____
PLOT SCALE = 100,0000' / in.	CHECKED - _____	REVISED - _____
PLOT DATE = May-03-2019 07:44:45 AM	DATE - _____	REVISED - _____

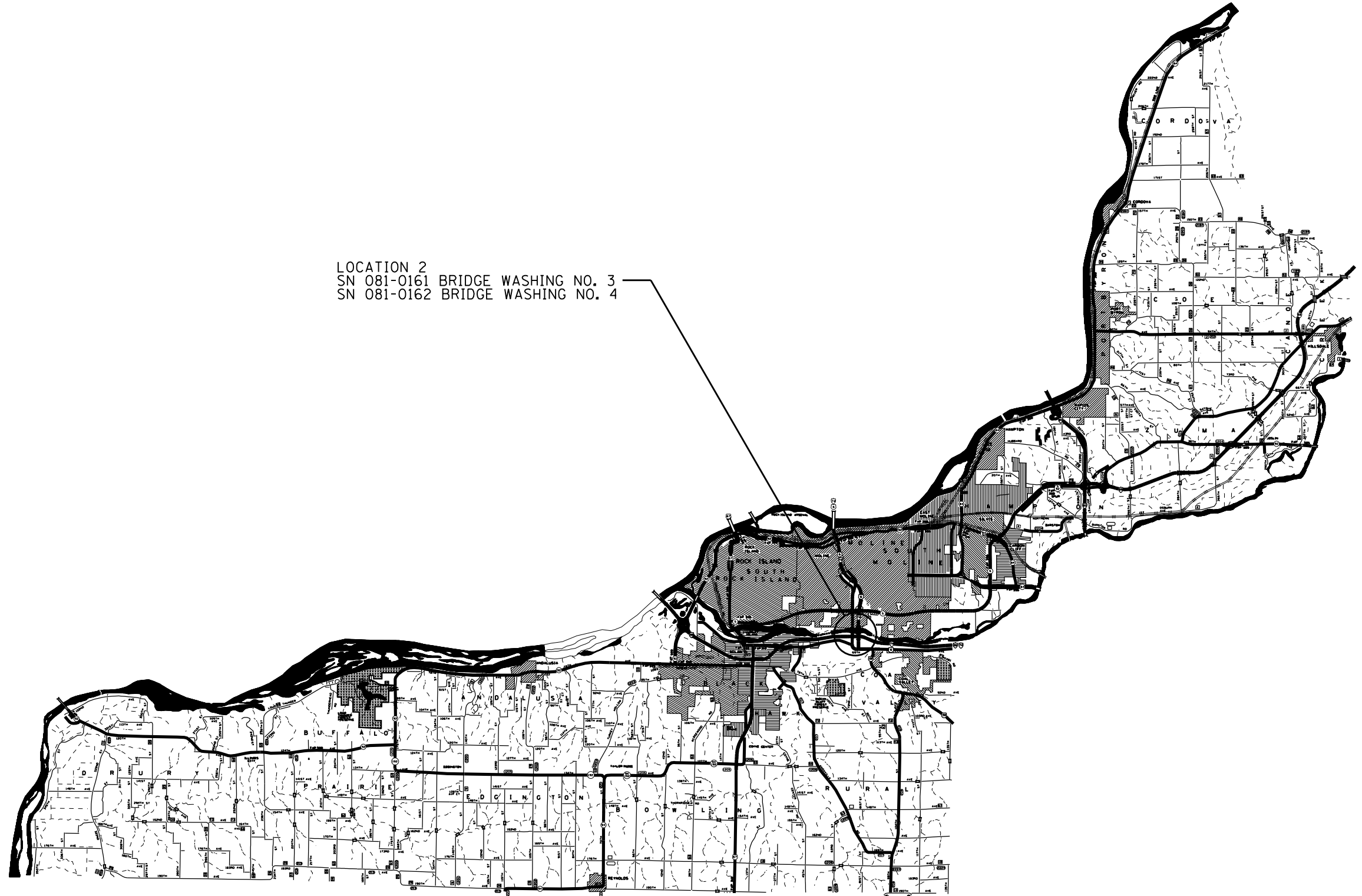
STATE OF ILLINOIS
DEPARTMENT OF TRANSPORTATION

HENRY COUNTY
LOCATION MAP

SCALE: _____ SHEET _____ OF _____ SHEETS STA. _____ TO STA. _____

F.A. RTE.	SECTION	COUNTY	TOTAL SHEETS	SHEET NO.
VAR.	D2 BC 2020-5	VARIOUS	11	5
			CONTRACT NO. 64N82	
		ILLINOIS	FED. AID PROJECT	

ROCK ISLAND COUNTY



MODEL: Default
 FILE NAME: p:\pub\planroom\dat\illinois\pwr\DOT\Documents\DOT_Offices\District 2\Projects\Operations\Bridges_Section\Bridges_Washing_Contracts\2020\64N82_Bridges_Washing_at_various_locations_over_Rock_Island_County.dgn

USER NAME = dossed	DESIGNED - _____	REVISED - _____
	DRAWN - _____	REVISED - _____
PLOT SCALE = 100,0000 ' / in.	CHECKED - _____	REVISED - _____
PLOT DATE = May-03-2019 07:44:54 AM	DATE - _____	REVISED - _____

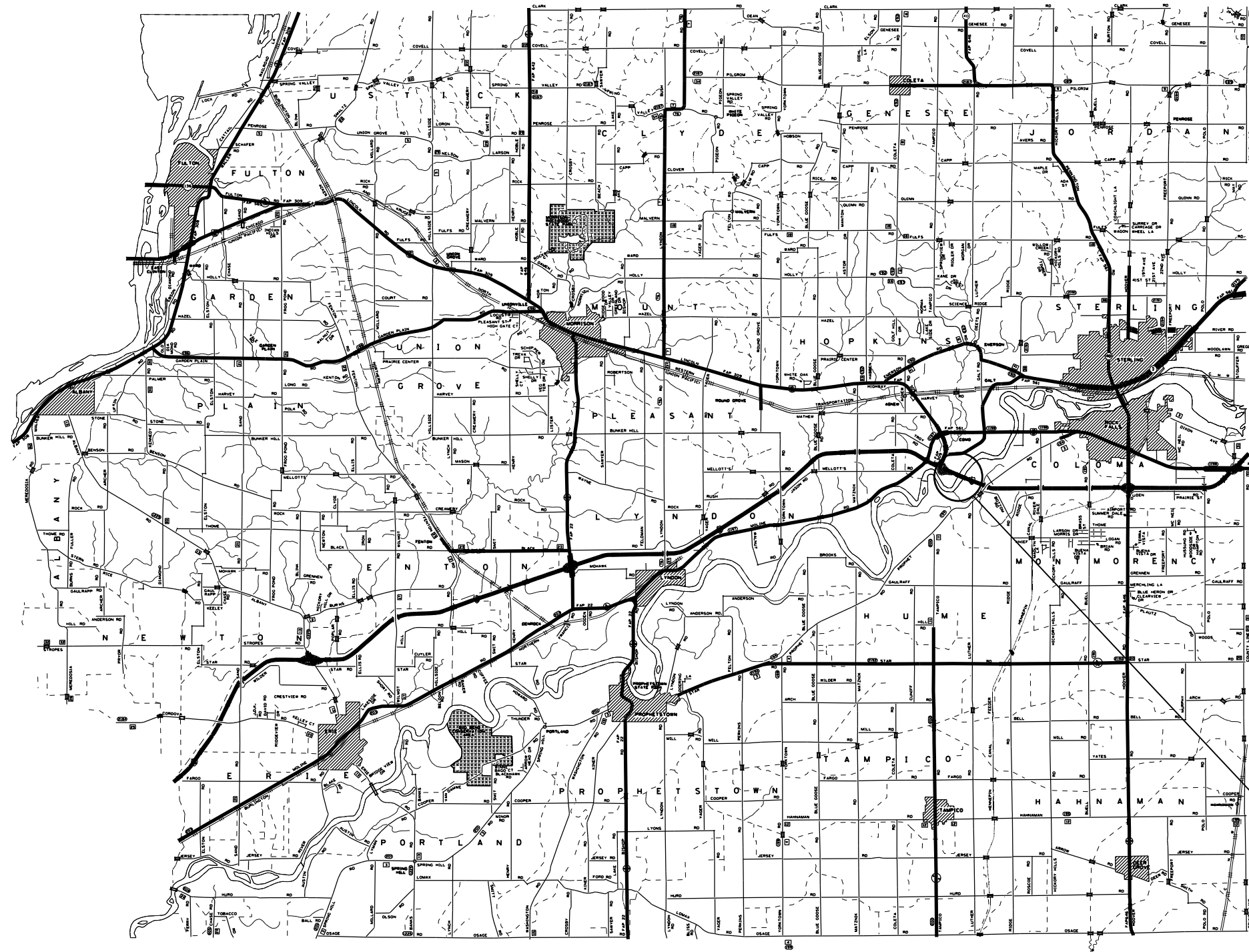
STATE OF ILLINOIS
DEPARTMENT OF TRANSPORTATION

ROCK ISLAND COUNTY
LOCATION MAP

SCALE: _____ SHEET ____ OF ____ SHEETS STA. _____ TO STA. _____

F.A. RTE.	SECTION	COUNTY	TOTAL SHEETS	SHEET NO.
VAR.	D2 BC 2020-5	VARIOUS	11	6
			CONTRACT NO. 64N82	
		ILLINOIS	FED. AID PROJECT	

WHITESIDE COUNTY



LOCATION 3
 SN 098-0079
 BRIDGE WASHING NO. 5
 SN 098-0080
 BRIDGE WASHING NO. 6

MODEL: Default
 FILE: Model: p:\pub\lanroom.dwg
 PROJECTS:\Operations\Bridges_Section\Bridges_Washing_Contract\2020\64N82_Bridges_Washing_at_various_locations_over_Rock_River_(64CADD\64N82-ht-cover.dwg)

USER NAME = dossdd	DESIGNED - _____	REVISED - _____
	DRAWN - _____	REVISED - _____
PLOT SCALE = 100,0000' / in.	CHECKED - _____	REVISED - _____
PLOT DATE = May-03-2019 07:45:03 AM	DATE - _____	REVISED - _____

STATE OF ILLINOIS
DEPARTMENT OF TRANSPORTATION

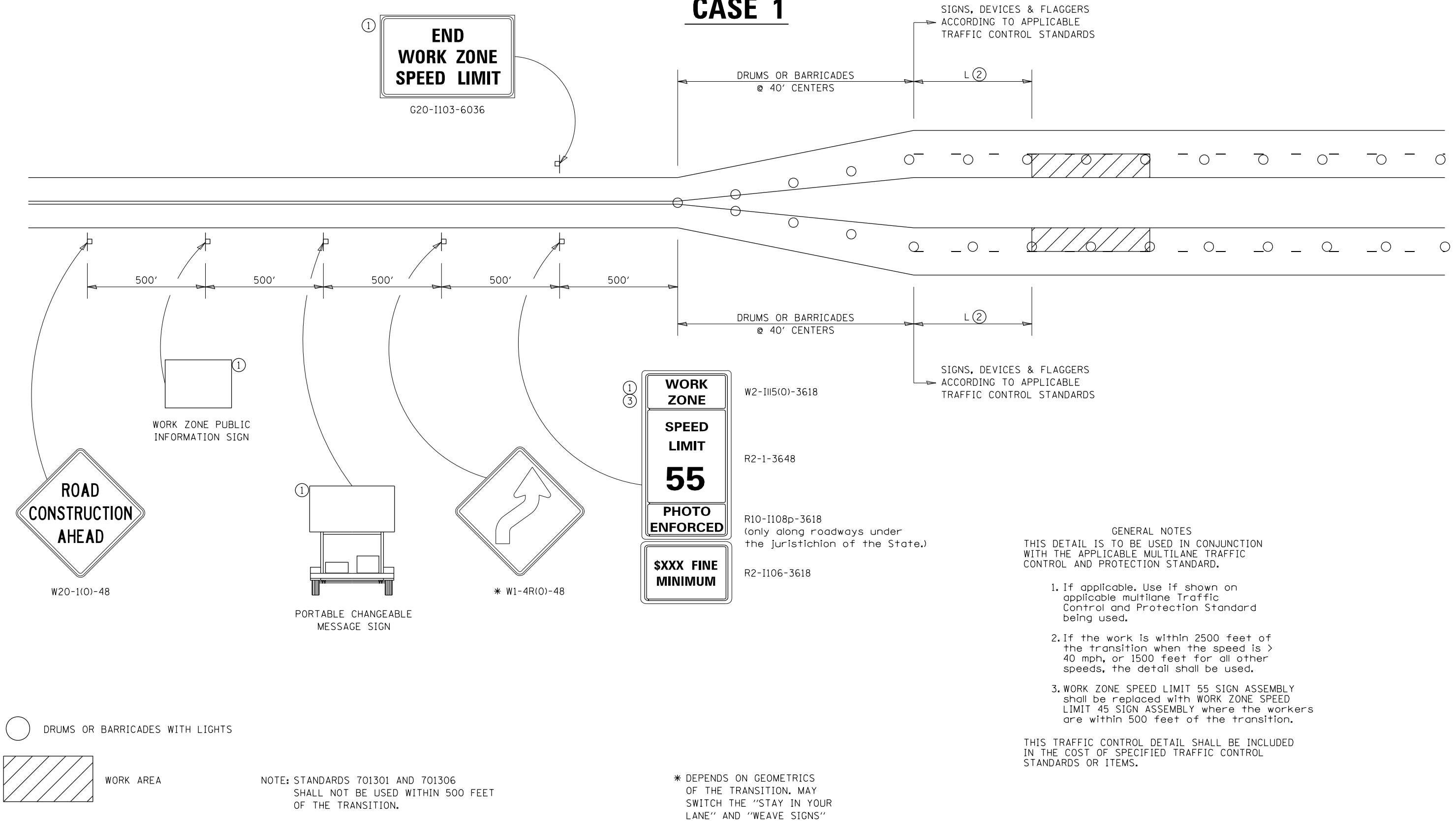
WHITESIDE COUNTY
LOCATION MAP

SCALE: _____ SHEET _____ OF _____ SHEETS STA. _____ TO STA. _____

F.A. RTE.	SECTION	COUNTY	TOTAL SHEETS	SHEET NO.
VAR.	D2 BC 2020-5	VARIOUS	11	7
			CONTRACT NO. 64N82	
ILLINOIS FED. AID PROJECT				

TRAFFIC CONTROL FOR TRANSITION AREAS

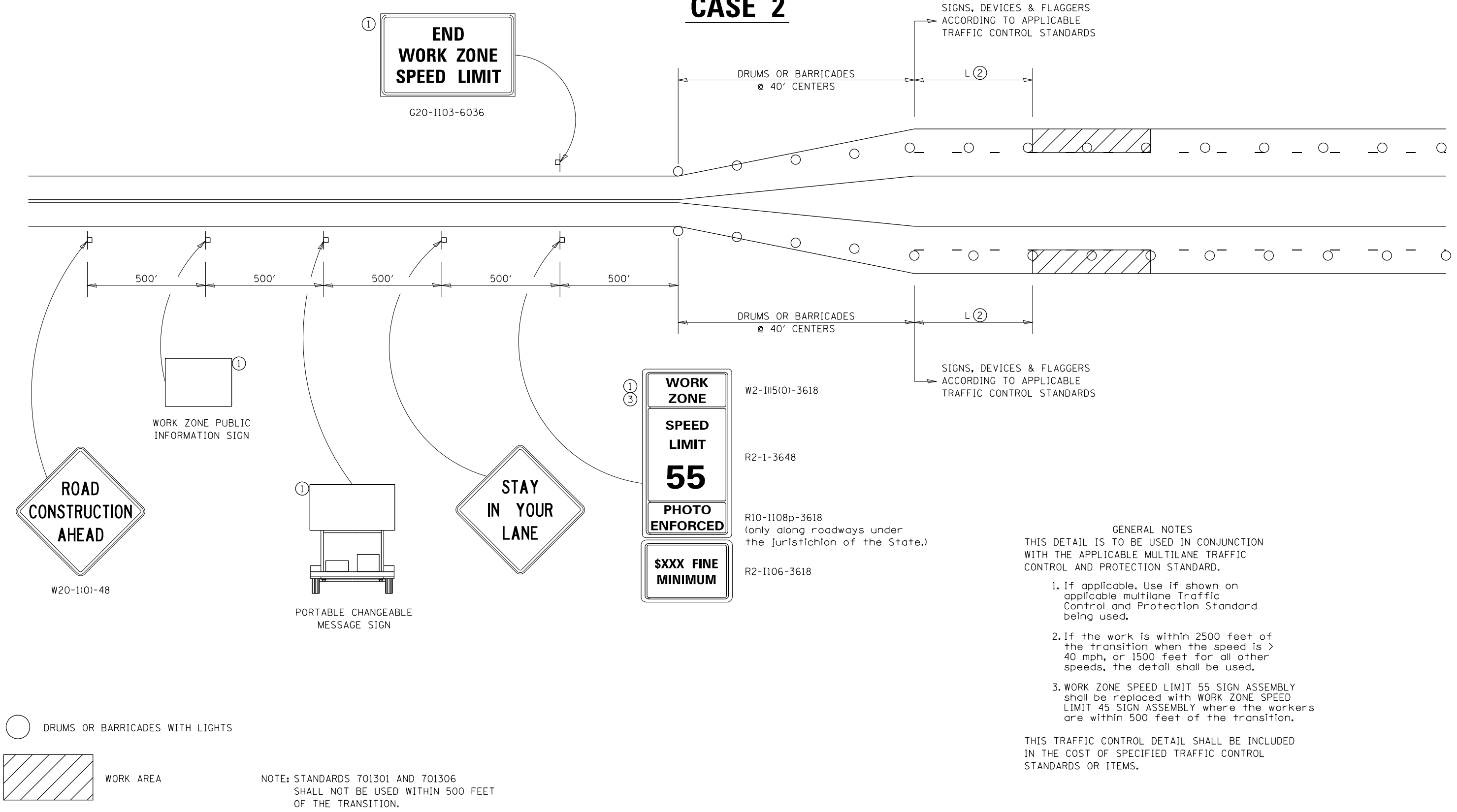
CASE 1



FILE NAME =	USER NAME = dosddd	DESIGNED -	REVISED - 4-20-17	STATE OF ILLINOIS DEPARTMENT OF TRANSPORTATION	REGION 2 / DISTRICT 2 STANDARD	F.A. RTÉ.	SECTION	COUNTY	TOTAL SHEETS	SHEET NO.	
DRAWN						REVISED - 8-27-13	VAR.	D2 BC 2020-5	VARIOUS	11	8
PLOT SCALE = 100.0000' / in.						REVISED - 1-16-13	CONTRACT NO. 64N82				
PLOT DATE = May-03-2019 07:45:13 AM		DATE -	REVISED -	SCALE: _____ SHEET NO. ____ OF ____ SHEETS STA. _____ TO STA. _____		FED. ROAD DIST. NO. _____ ILLINOIS FED. AID PROJECT					

TRAFFIC CONTROL FOR TRANSITION AREAS

CASE 2



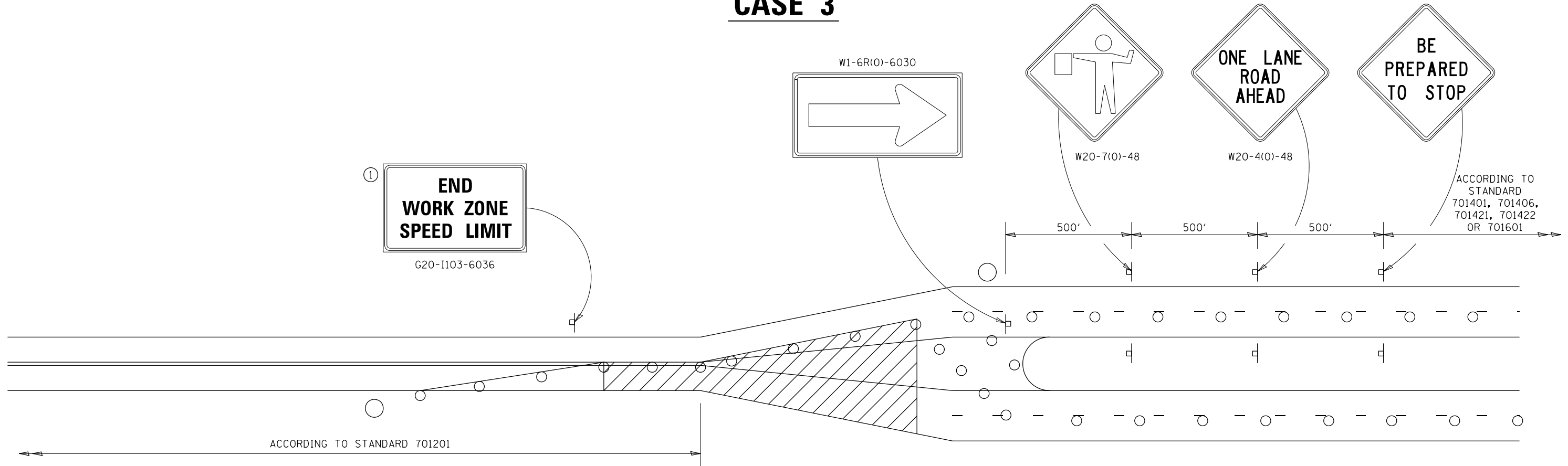
- GENERAL NOTES
- THIS DETAIL IS TO BE USED IN CONJUNCTION WITH THE APPLICABLE MULTILANE TRAFFIC CONTROL AND PROTECTION STANDARD.
1. If applicable, Use if shown on applicable multilane Traffic Control and Protection Standard being used.
 2. If the work is within 2500 feet of the transition when the speed is > 40 mph, or 1500 feet for all other speeds, the detail shall be used.
 3. WORK ZONE SPEED LIMIT 55 SIGN ASSEMBLY shall be replaced with WORK ZONE SPEED LIMIT 45 SIGN ASSEMBLY where the workers are within 500 feet of the transition.

THIS TRAFFIC CONTROL DETAIL SHALL BE INCLUDED IN THE COST OF SPECIFIED TRAFFIC CONTROL STANDARDS OR ITEMS.

FILE NAME =	USER NAME = dosddd	DESIGNED -	REVISED - 4-20-17	STATE OF ILLINOIS DEPARTMENT OF TRANSPORTATION	REGION 2 / DISTRICT 2 STANDARD	F.A. RTÉ.	SECTION	COUNTY	TOTAL SHEETS	SHEET NO.		
DRAWN				CONTRACT NO. 64N82	SCALE: _____		SHEET NO. ____ OF ____ SHEETS	VAR.	D2 BC 2020-5	VARIOUS	11	9
PLOT SCALE = 100.0000' / in.				REVISED - 8-27-13	STATION TO STA. _____		CONTRACT NO. 64N82		FED. ROAD DIST. NO. _____ ILLINOIS FED. AID PROJECT			
PLOT DATE = May-03-2019 07:45:19 AM				REVISED - 1-16-13								

TRAFFIC CONTROL FOR TRANSITION AREAS

CASE 3



GENERAL NOTES
 THIS DETAIL IS TO BE USED IN CONJUNCTION WITH THE APPLICABLE MULTILANE TRAFFIC CONTROL AND PROTECTION STANDARD.

1. If applicable, Use if shown on applicable multilane Traffic Control and Protection Standard being used.
2. If the work is within 2500 feet of the transition when the speed is > 40 mph, or 1500 feet for all other speeds, the detail shall be used.
3. WORK ZONE SPEED LIMIT 55 SIGN ASSEMBLY shall be replaced with WORK ZONE SPEED LIMIT 45 SIGN ASSEMBLY where the workers are within 500 feet of the transition.

THIS TRAFFIC CONTROL DETAIL SHALL BE INCLUDED IN THE COST OF SPECIFIED TRAFFIC CONTROL STANDARDS OR ITEMS.

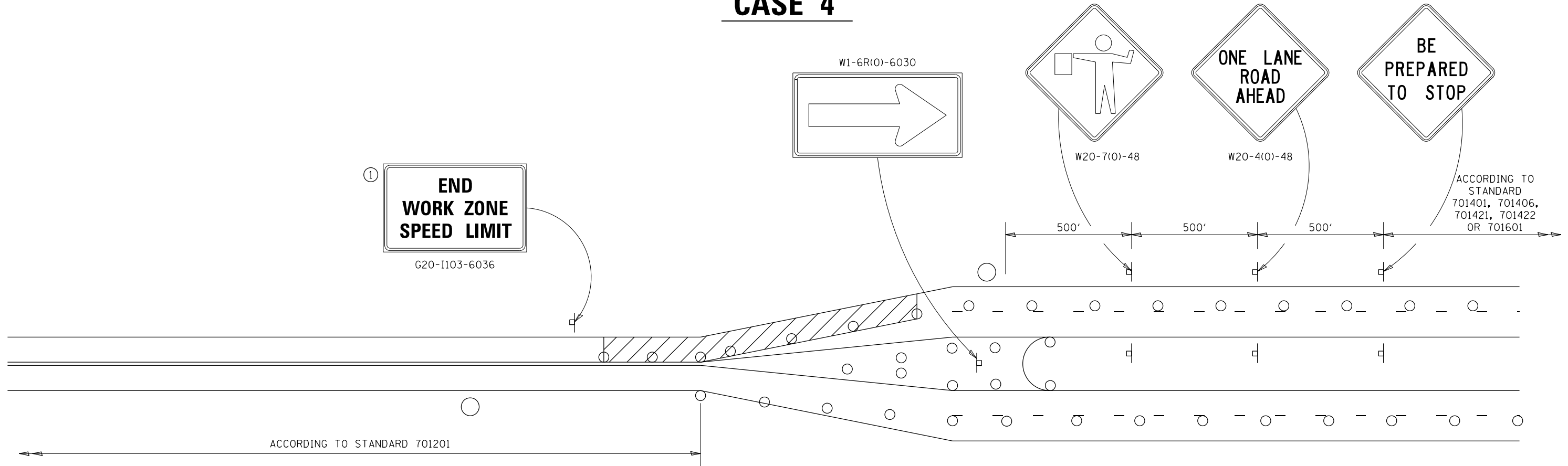
- FLAGGER WITH TRAFFIC CONTROL SIGN
- DRUMS OR BARRICADES WITH LIGHTS
- WORK AREA

NOTE: STANDARDS 701301 AND 701306 SHALL NOT BE USED WITHIN 500 FEET OF THE TRANSITION.

FILE NAME =	USER NAME = dosddd	DESIGNED -	REVISED - 4-20-17	STATE OF ILLINOIS DEPARTMENT OF TRANSPORTATION	REGION 2 / DISTRICT 2 STANDARD	F.A. RT#:	SECTION	COUNTY	TOTAL SHEETS	SHEET NO.		
DRAWN						CONTRACT NO. 64N82		VAR.	D2 BC 2020-5	VARIOUS	11	10
PLOT SCALE = 100.0000' / in.						CHECKED -	REVISED - 8-27-13	CONTRACT NO. 64N82				
PLOT DATE = May-03-2019 07:45:26 AM				DATE -	REVISED - 3-05-12	FED. ROAD DIST. NO. ILLINOIS FED. AID PROJECT						

TRAFFIC CONTROL FOR TRANSITION AREAS

CASE 4



GENERAL NOTES
 THIS DETAIL IS TO BE USED IN CONJUNCTION WITH THE APPLICABLE MULTILANE TRAFFIC CONTROL AND PROTECTION STANDARD.

1. If applicable, Use if shown on applicable multilane Traffic Control and Protection Standard being used.
2. If the work is within 2500 feet of the transition when the speed is > 40 mph, or 1500 feet for all other speeds, the detail shall be used.
3. WORK ZONE SPEED LIMIT 55 SIGN ASSEMBLY shall be replaced with WORK ZONE SPEED LIMIT 45 SIGN ASSEMBLY where the workers are within 500 feet of the transition.

THIS TRAFFIC CONTROL DETAIL SHALL BE INCLUDED IN THE COST OF SPECIFIED TRAFFIC CONTROL STANDARDS OR ITEMS.

- FLAGGER WITH TRAFFIC CONTROL SIGN
- DRUMS OR BARRICADES WITH LIGHTS
- WORK AREA

NOTE: STANDARDS 701301 AND 701306 SHALL NOT BE USED WITHIN 500 FEET OF THE TRANSITION.

FILE NAME =	USER NAME = dosddd	DESIGNED -	REVISED - 4-20-17	STATE OF ILLINOIS DEPARTMENT OF TRANSPORTATION	REGION 2 / DISTRICT 2 STANDARD	F.A. RTE.	SECTION	COUNTY	TOTAL SHEETS	SHEET NO.
DRAWN BY						VAR.	D2 BC 2020-5	VARIOUS	11	11
PLOT SCALE = 100.0000' / in.						CHECKED -	CONTRACT NO. 64N82			
PLOT DATE = May-03-2019 07:45:35 AM				DATE -	SCALE: _____ SHEET NO. ____ OF ____ SHEETS STA. _____ TO STA. _____		FED. ROAD DIST. NO. _____ ILLINOIS FED. AID PROJECT			