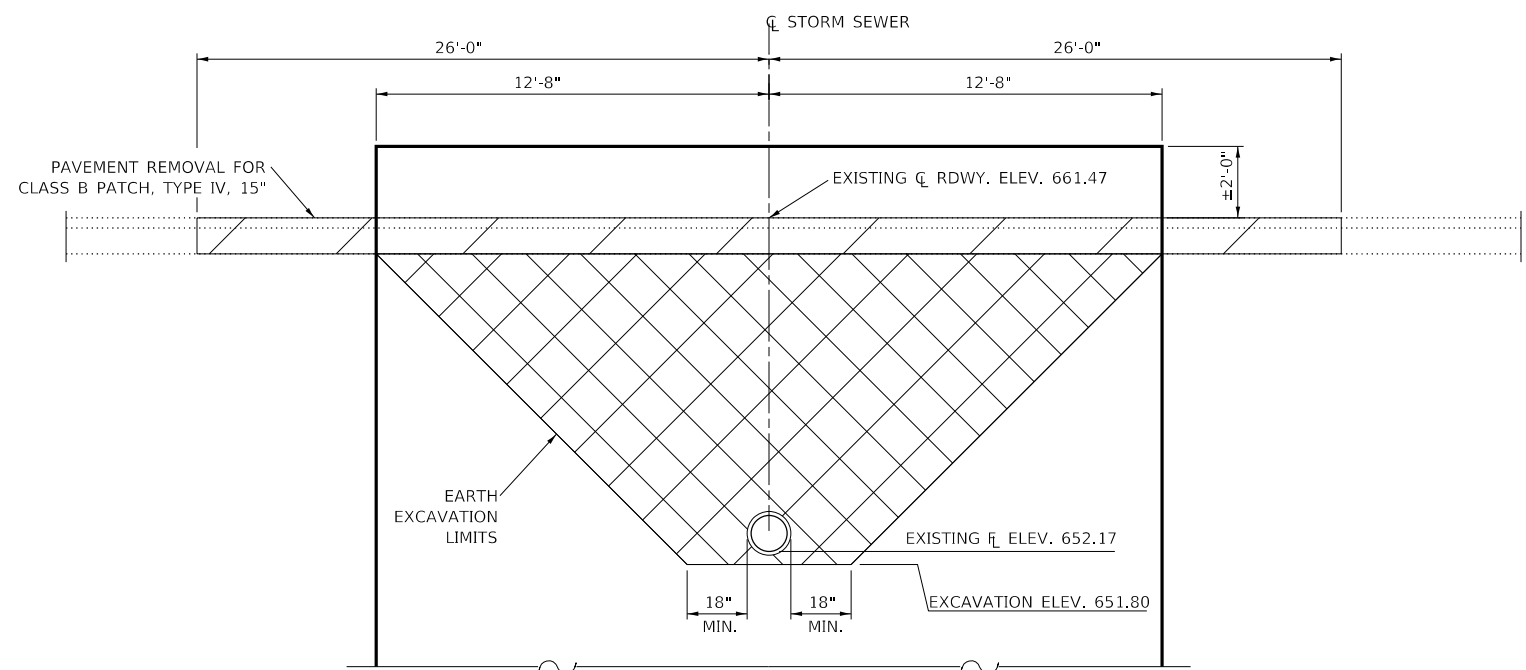
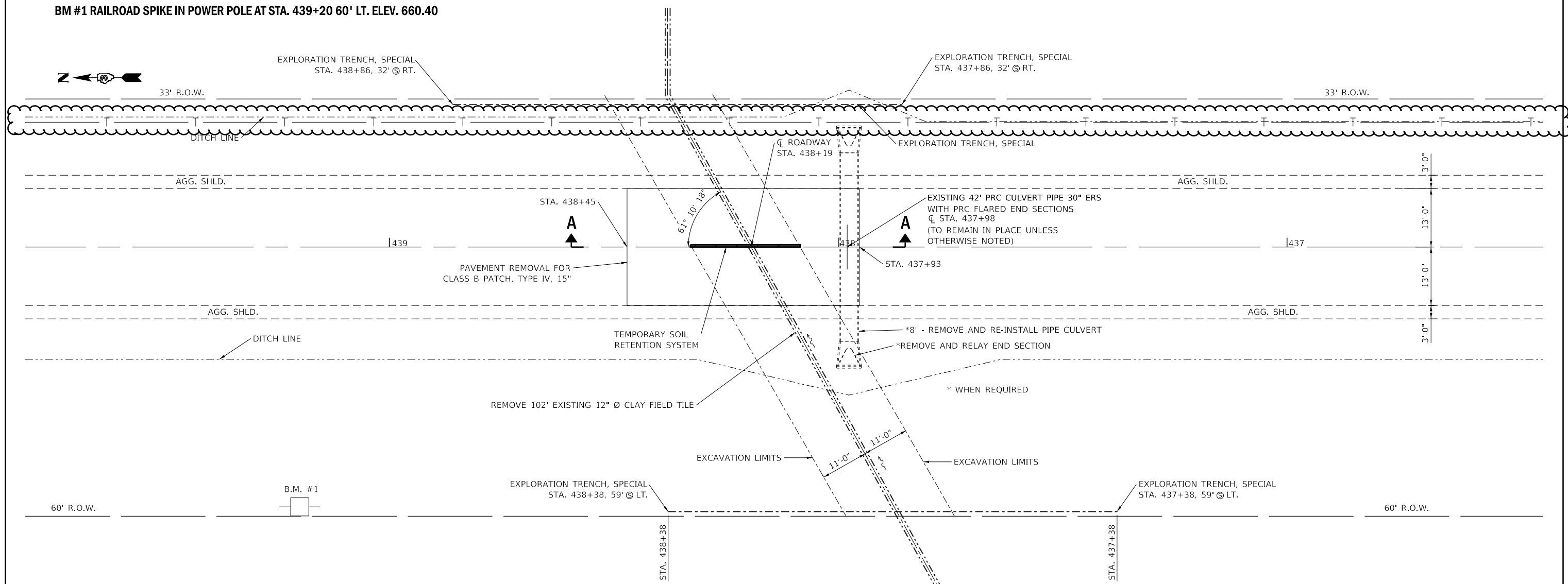


BM #1 RAILROAD SPIKE IN POWER POLE AT STA. 439+20 60' LT. ELEV. 660.40



EXISTING SECTION A-A

MODEL: Default
 FILE: h:\mhc\p\suplanroom.dwg
 PROJECT: RWIDOT\Documents\DOT_Offices\District_3\Projects\ID366K34\CADD\Drawings\66K34-cover.dwg

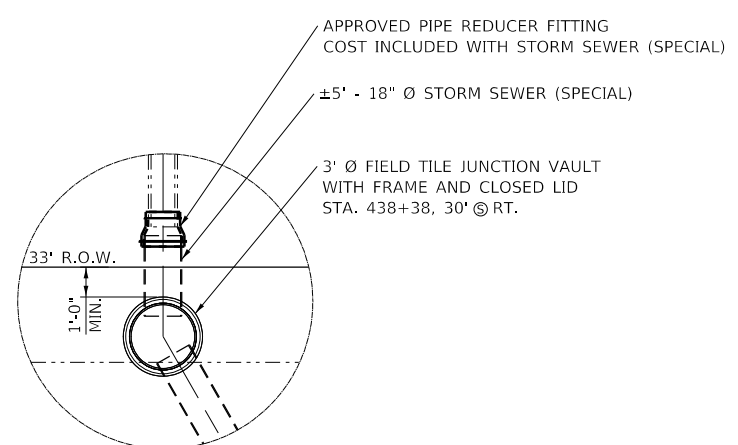
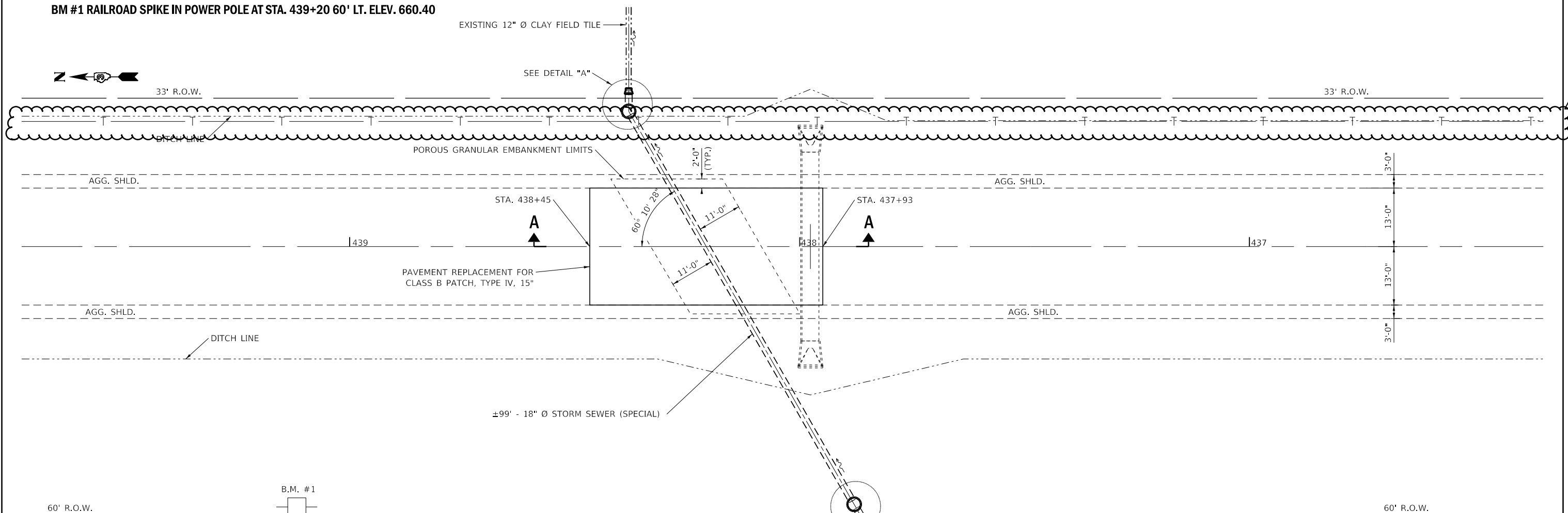
USER NAME = woodshankr	DESIGNED - RW	REVISED - 8/27/2019 RW
DRAWN - RW	CHECKED - TG	REVISOR -
PLOT SCALE = 100,0000' / in.	DATE - 6/6/2019	REVISIONS -
PLOT DATE = 8/27/2019		

**STATE OF ILLINOIS
DEPARTMENT OF TRANSPORTATION**

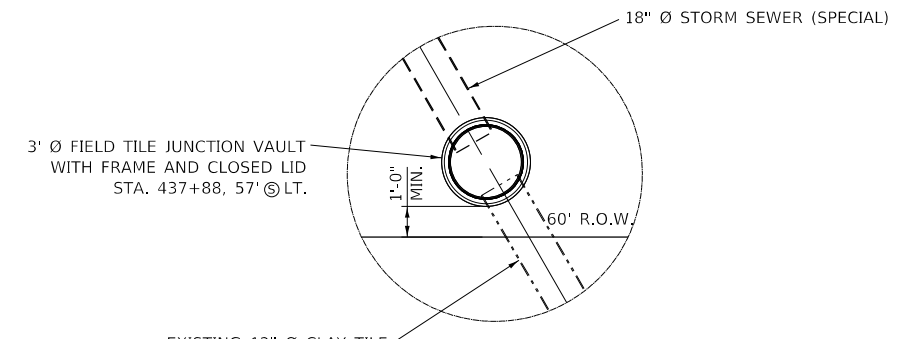
SITE PLAN EXISTING PLAN DETAILS			
SCALE:	SHEET 1	OF 1	SHEETS
STA.	TO STA.		

F.A.P. RTE.	SECTION	COUNTY	TOTAL SHEETS	SHEET NO.
840	(135)T	IROQUOIS	15	11
CONTRACT NO. 66K34				
ILLINOIS FED. AID PROJECT				

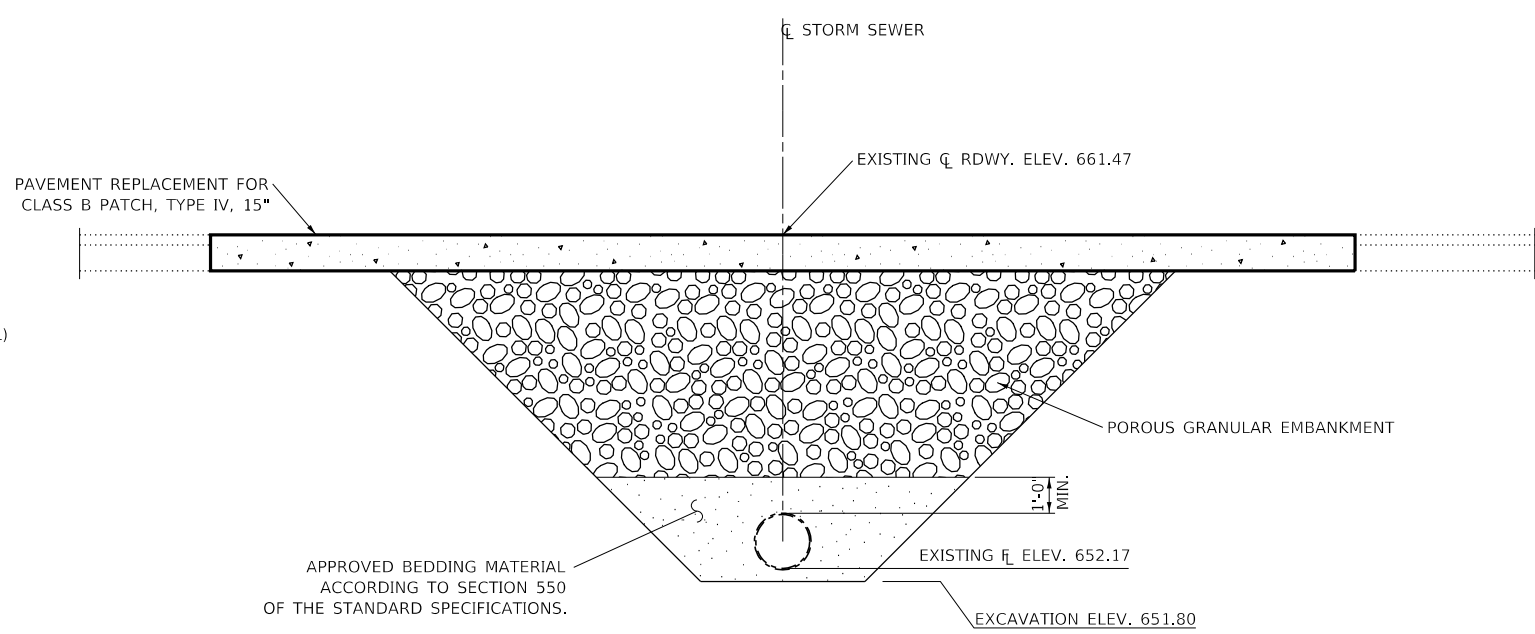
BM #1 RAILROAD SPIKE IN POWER POLE AT STA. 439+20 60' LT. ELEV. 660.40



DETAIL "A"



DETAIL "B"



PROPOSED SECTION A-A

MODEL: Default
 FILE: \\nas01c.pw.us.ibm.com\data\illinois.gov\PROJECTS\DOT\Documents\DOT_Offices\Illinois\3\Projects\66K34\CADD\66K34-cover.dgn

USER NAME = woodshankr	DESIGNED - RW	REVISED - 8/27/2019 RW
PLOT SCALE = 100,0000' / in.	DRAWN - RW	REVISED -
PLOT DATE = 8/27/2019	CHECKED - TG	REVISED -
	DATE - 6/6/2019	REVISED -

**STATE OF ILLINOIS
 DEPARTMENT OF TRANSPORTATION**

SITE PLAN PROPOSED DETAILS			
SCALE:	SHEET 1	OF 1 SHEETS	STA. TO STA.

F.A.P. RTE.	SECTION	COUNTY	TOTAL SHEETS	SHEET NO.
840	(135)T	IROQUOIS	15	12
CONTRACT NO. 66K34				
ILLINOIS FED. AID PROJECT				