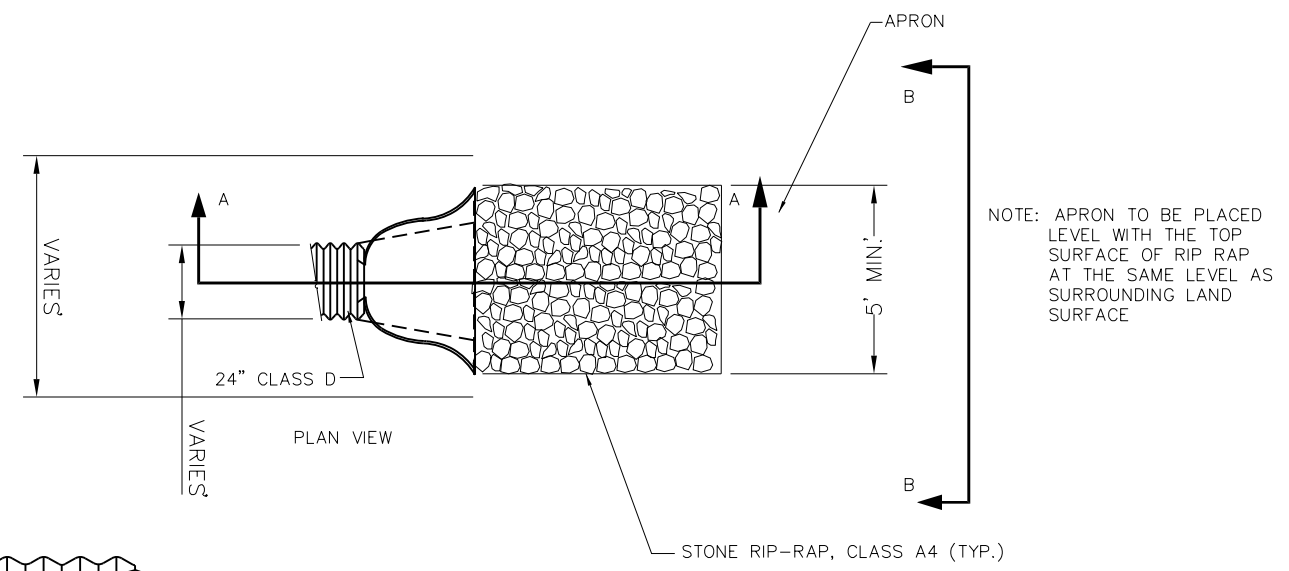


**LEGEND**

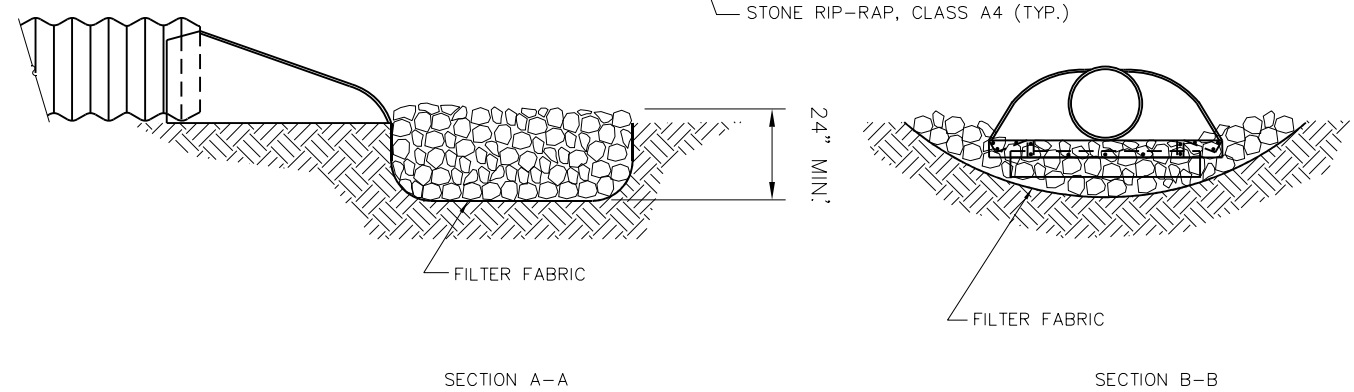
- TOPSOIL FURNISH AND PLACE, 4", SEEDING CLASS 2A, EROSION CONTROL BLANKET
- TOPSOIL FURNISH AND PLACE, 4", SEEDING CLASS 2A, HEAVY DUTY EROSION CONTROL BLANKET
- FILTER FABRIC, STONE RIP RAP CLASS A4
- TEMPORARY DITCH CHECK (SEE SCHEDULES FOR ACTUAL LOCATIONS)
- INLET AND PIPE PROTECTION
- PERIMETER EROSION BARRIER

**SWPPP NOTES:**

1. THE CONTRACTOR IS RESPONSIBLE FOR IMPLEMENTING STORM WATER PROTECTION MEASURES IDENTIFIED IN THESE PLANS.
2. STORAGE OF MATERIALS AND PRODUCTS ON SITE NOT TO BE ALLOWED UNLESS PROPERLY PROTECTED IN ACCORDANCE WITH THE WRITTEN PORTION OF THE STORMWATER POLLUTION PREVENTION PLAN.
3. TEMPORARY DITCH CHECKS INSTALLED AND MAINTAINED UNTIL PLACEMENT OF RIPRAP.



NOTE: APRON TO BE PLACED LEVEL WITH THE TOP SURFACE OF RIP RAP AT THE SAME LEVEL AS SURROUNDING LAND SURFACE



OUTLET STABILIZATION  
NOT TO SCALE

DECATUR (217) 422-8544  
 SCHAUMBURG (630) 714-0050  
 ROCKFORD (815) 499-0050  
 184-001397

**CHASTAIN & ASSOCIATES, LLC**  
 CONSULTING ENGINEERS

FILE NAME =	USER NAME = jacobsmr	DESIGNED - CHASTAIN	REVISED -
p:\planroom.dot\illinois.gov\PIDOT\Documents\IDOT Offices\District 4\Projects\D4.6875\Browns\CAD\Sheet\Chastain\0468758-shd.dgn		CHECKED - CAS	REVISED -
Default	PLOT DATE = 5/9/2019	DATE - 10/16	REVISED -

**STATE OF ILLINOIS  
DEPARTMENT OF TRANSPORTATION**

**EROSION CONTROL PLAN  
ILLINOIS ROUTE 78**

SCALE:	SHEET	OF	SHEETS	STA.	TO	STA.
--------	-------	----	--------	------	----	------

F.A.P. RTE.	SECTION	COUNTY	TOTAL SHEETS	SHEET NO.
22	48(B-1BR;CRJ)	KNOX	94	25
CONTRACT NO. 68758				
ILLINOIS FED. AID PROJECT				