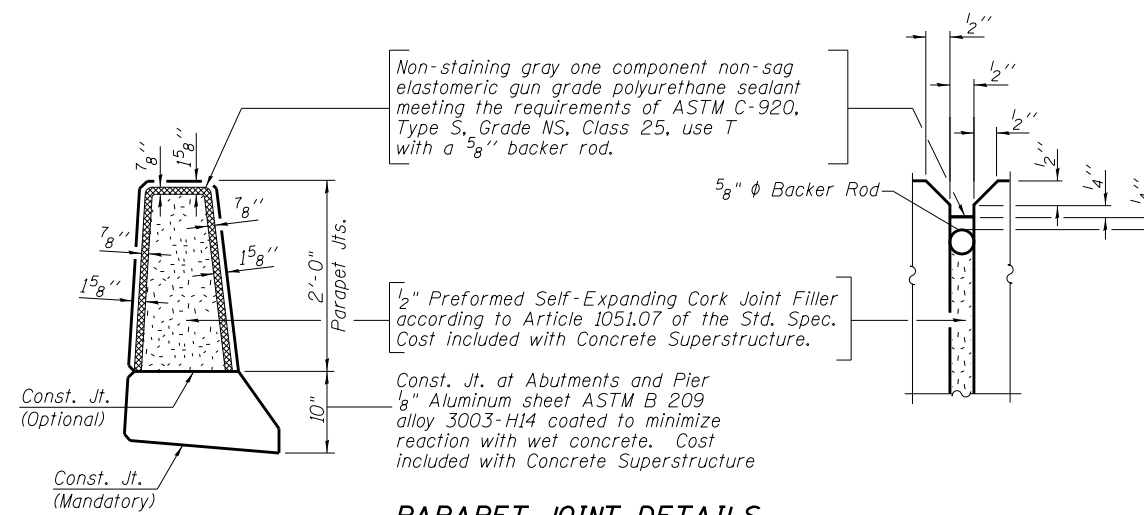


INSIDE ELEVATION OF PARAPET

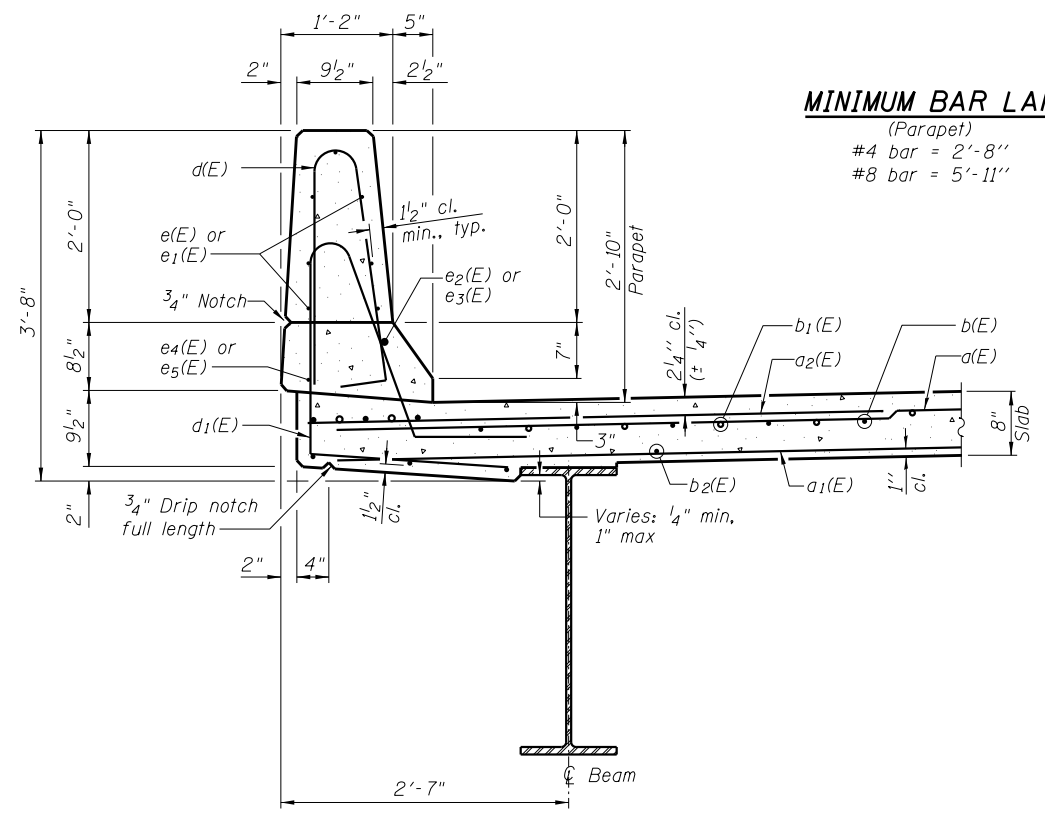
West parapet shown (East parapet similar by mirror image)



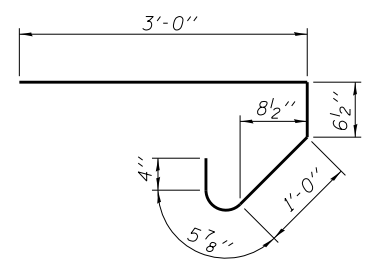
PARAPET JOINT DETAILS

MINIMUM BAR LAP

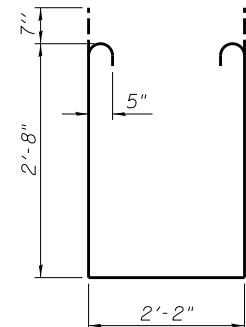
(Parapet)
 #4 bar = 2'-8"
 #8 bar = 5'-11"



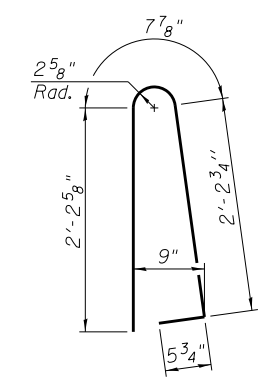
SECTION THRU PARAPET



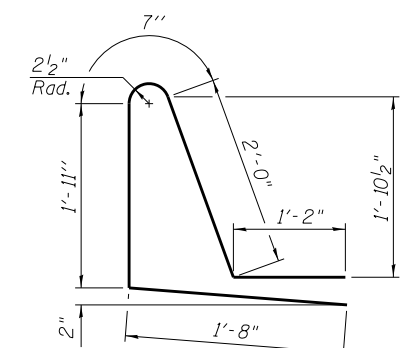
BAR s(E)



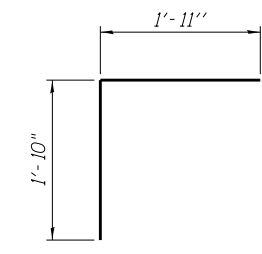
BAR s1(E)



BAR d(E)



BAR d1(E)



BAR v(E)

SUPERSTRUCTURE BILL OF MATERIAL

Bar	No.	Size	Length	Shape
a(E)	204	#5	34'-6"	—
a1(E)	133	#5	33'-10"	—
a2(E)	408	#6	6'-6"	—
b(E)	152	#5	30'-2"	—
b1(E)	70	#6	24'-3"	—
b2(E)	155	#5	24'-10"	—
d(E)	242	#5	5'-7"	⌒
d1(E)	242	#5	7'-4"	⌒
e(E)	56	#4	17'-0"	—
e1(E)	42	#4	13'-4"	—
e2(E)	4	#8	23'-4"	—
e3(E)	4	#8	34'-5"	—
e4(E)	4	#4	21'-8"	—
e5(E)	4	#4	34'-5"	—
m(E)	10	#6	34'-10"	—
m1(E)	24	#6	9'-0"	—
m2(E)	10	#6	5'-8"	—
m3(E)	4	#6	2'-3"	—
s(E)	72	#5	5'-5"	⌒
s1(E)	72	#5	8'-8"	⌒
v(E)	72	#5	3'-9"	⌒
Reinforcement Bars, Epoxy Coated		Pound	34690	
Concrete Superstructure		Cu. Yd.	140.1	
Bridge Deck Grooving		Sq. Yd.	367	
Protective Coat		Sq. Yd.	485	

Bars indicated thus 1x3-#8 etc. indicates 1 line of bars with 3 lengths per line.

FILE NAME = I:\DOT\5497.03 IL 78 Phase II\CADD\Structural\supdetails.dgn