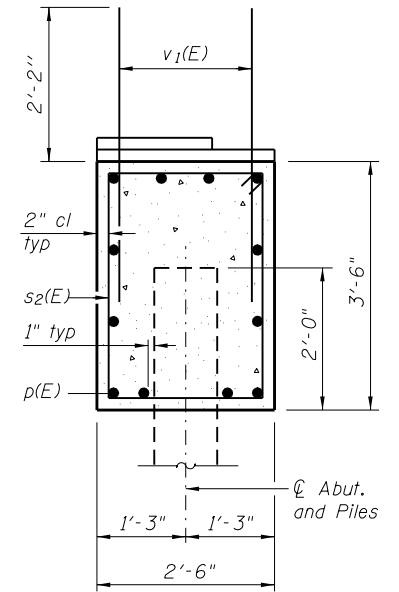
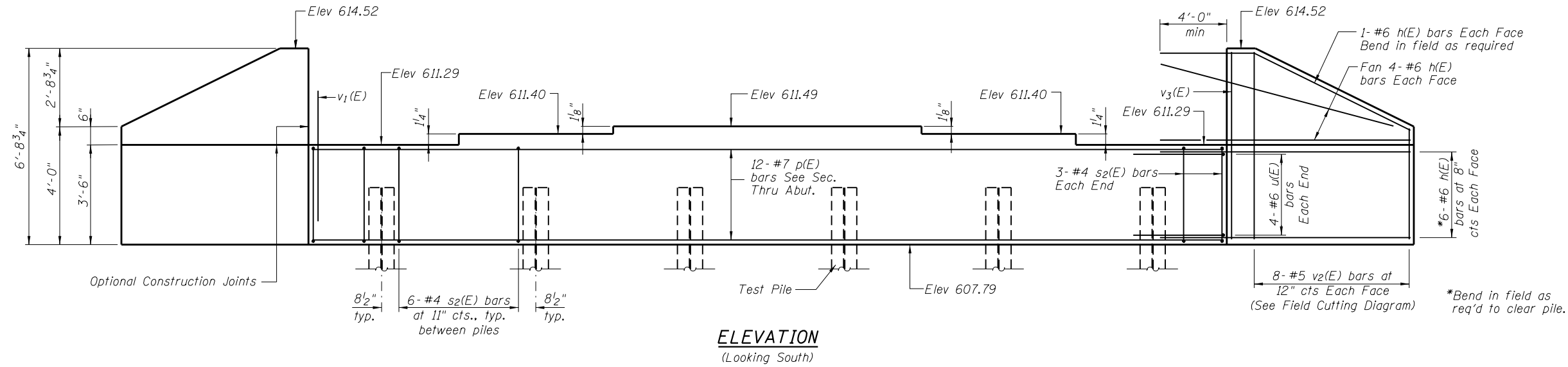
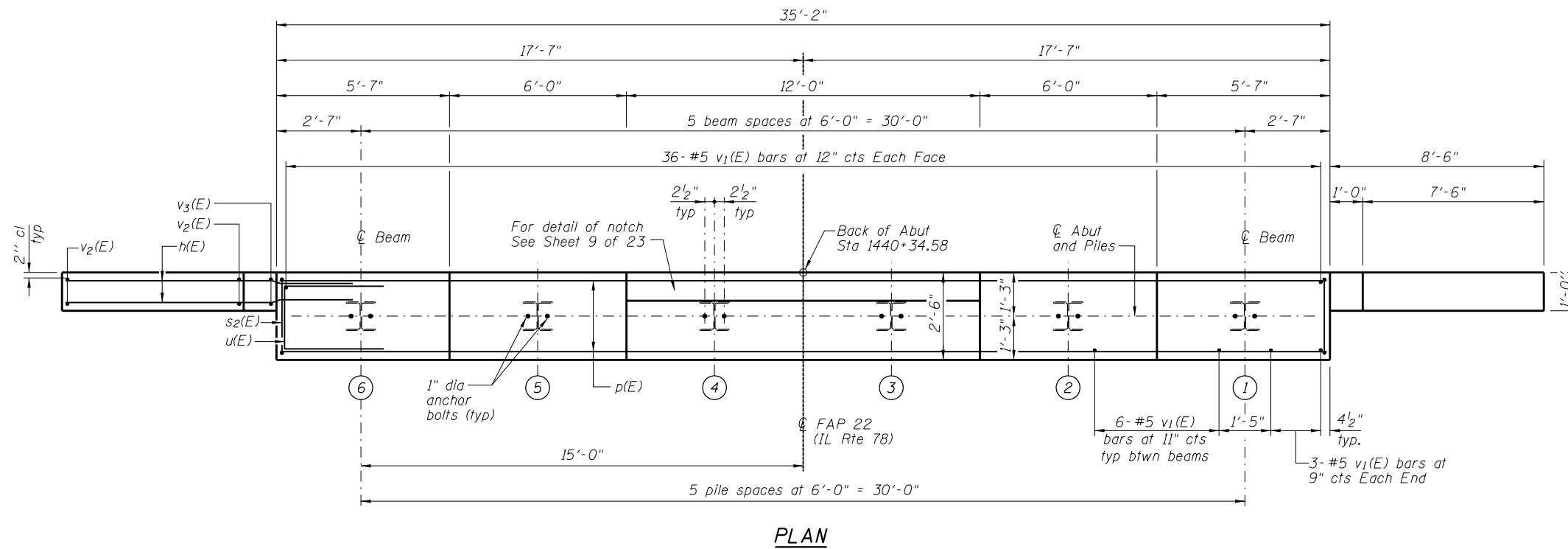


Notes: Four steps monolithically with cap.



SEC. THRU ABUT.



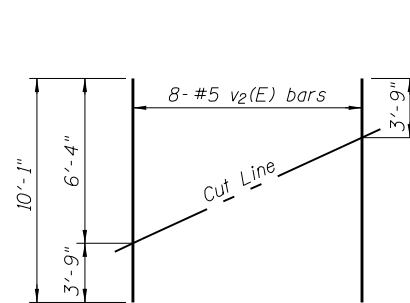
BILL OF MATERIAL

Bar	No.	Size	Length	Shape
h(E)	44	#6	12'-10"	—
p(E)	12	#7	34'-10"	—
s2(E)	36	#4	11'-5"	□
u(E)	8	#6	8'-7"	□
v1(E)	72	#5	4'-4"	—
v2(E)	16	#5	10'-1"	—
v3(E)	4	#5	6'-5"	—
Structure Excavation		Cu. Yd.	65	
Concrete Structures		Cu. Yd.	15.2	
Reinforcement Bars, Epoxy Coated		Pound	2600	
Furnishing Steel Piles HP12x53		Foot	155	
Driving Piles		Foot	155	
Test Pile Steel HP12x53		Each	1	

For details of piles see sheet 20 of 22.

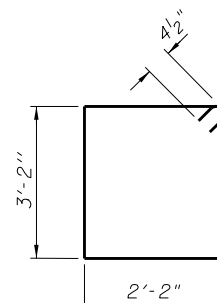
PILE DATA

Type: HP12x53  
 Nominal Required Bearing: 174 k  
 Factored Resistance Available: 95 k  
 Est. Length: 31'  
 No. Production Piles: 5  
 No. Test Piles: 1

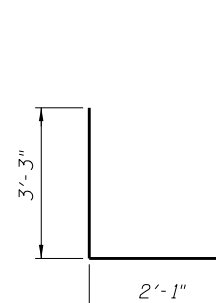


FIELD CUTTING DIAGRAM

Order v2(E) full length. Cut as shown and use remainder of bars in opposite face.



BAR s2(E)



BAR u(E)

FILE NAME = p:\planning\omodo\11\moss\gov\DOT\Documents\DOT Offices\District 4\Projects\04\_68758\CADD\data\CADsheets\IL78\_Structural - IDOT\_Copies\abut.dgn