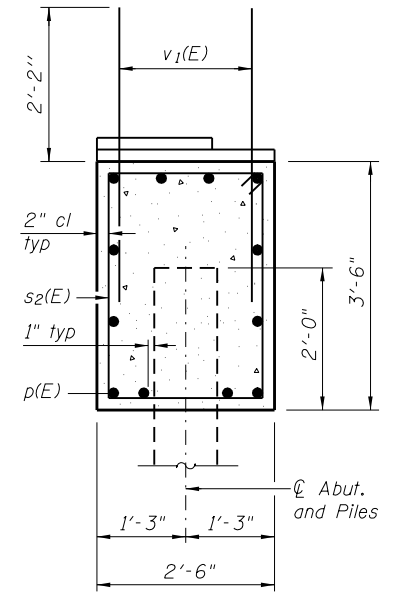
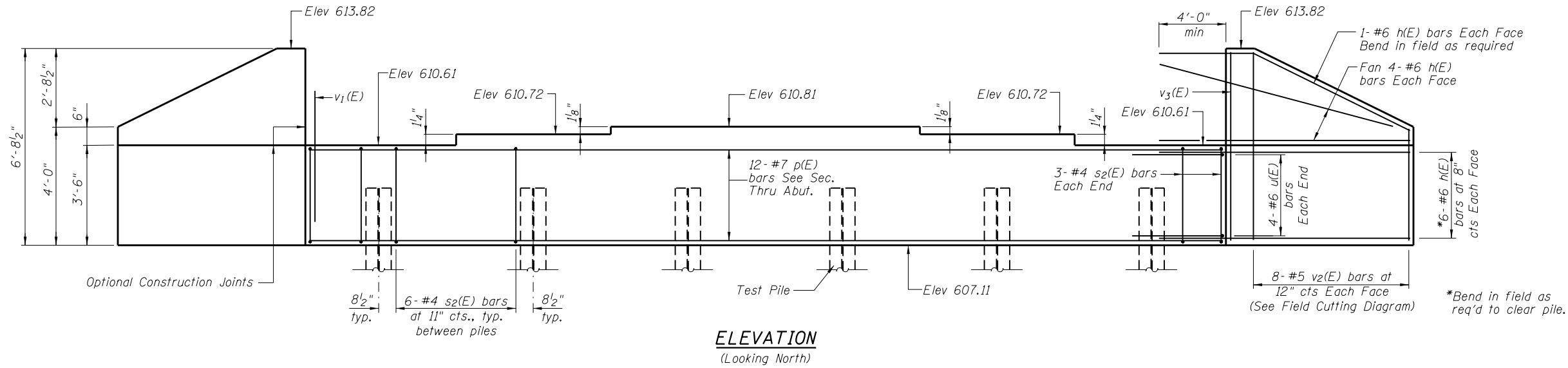
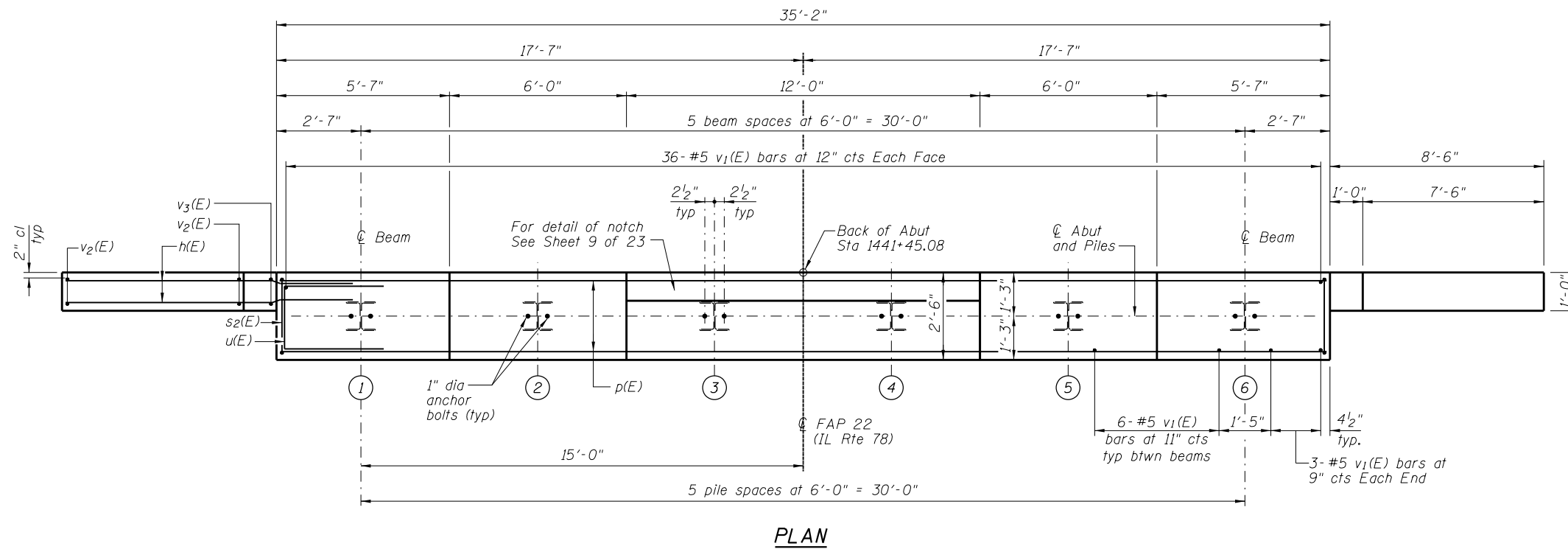


Notes: Four steps monolithically with cap.



SEC. THRU ABUT.



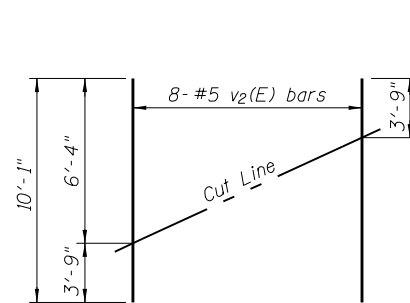
BILL OF MATERIAL

Bar	No.	Size	Length	Shape
h(E)	44	#6	12'-10"	—
p(E)	12	#7	34'-10"	—
s2(E)	36	#4	11'-5"	□
u(E)	8	#6	8'-7"	□
v1(E)	72	#5	4'-4"	—
v2(E)	16	#5	10'-1"	—
v3(E)	4	#5	6'-5"	—
Structure Excavation		Cu. Yd.	4	
Concrete Structures		Cu. Yd.	15.2	
Reinforcement Bars, Epoxy Coated		Pound	2600	
Furnishing Steel Piles HP12x53		Foot	155	
Driving Piles		Foot	155	
Test Pile Steel HP12x53		Each	1	

For details of piles see sheet 20 of 22.

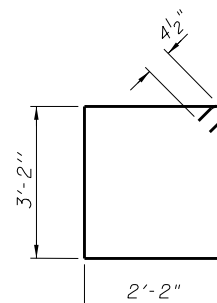
PILE DATA

Type: HP12x53
 Nominal Required Bearing: 174 k
 Factored Resistance Available: 95 k
 Est. Length: 31'
 No. Production Piles: 5
 No. Test Piles: 1

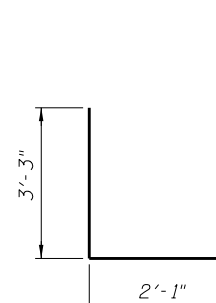


FIELD CUTTING DIAGRAM

Order v2(E) full length. Cut as shown and use remainder of bars in opposite face.



BAR s2(E)



BAR u(E)

FILE NAME = p:\planroom\dot\Documents\DOT Offices\District 4\Projects\04-68758\CADD\Sheet\IL78 Structural - IDOT Copies\nebuldgn