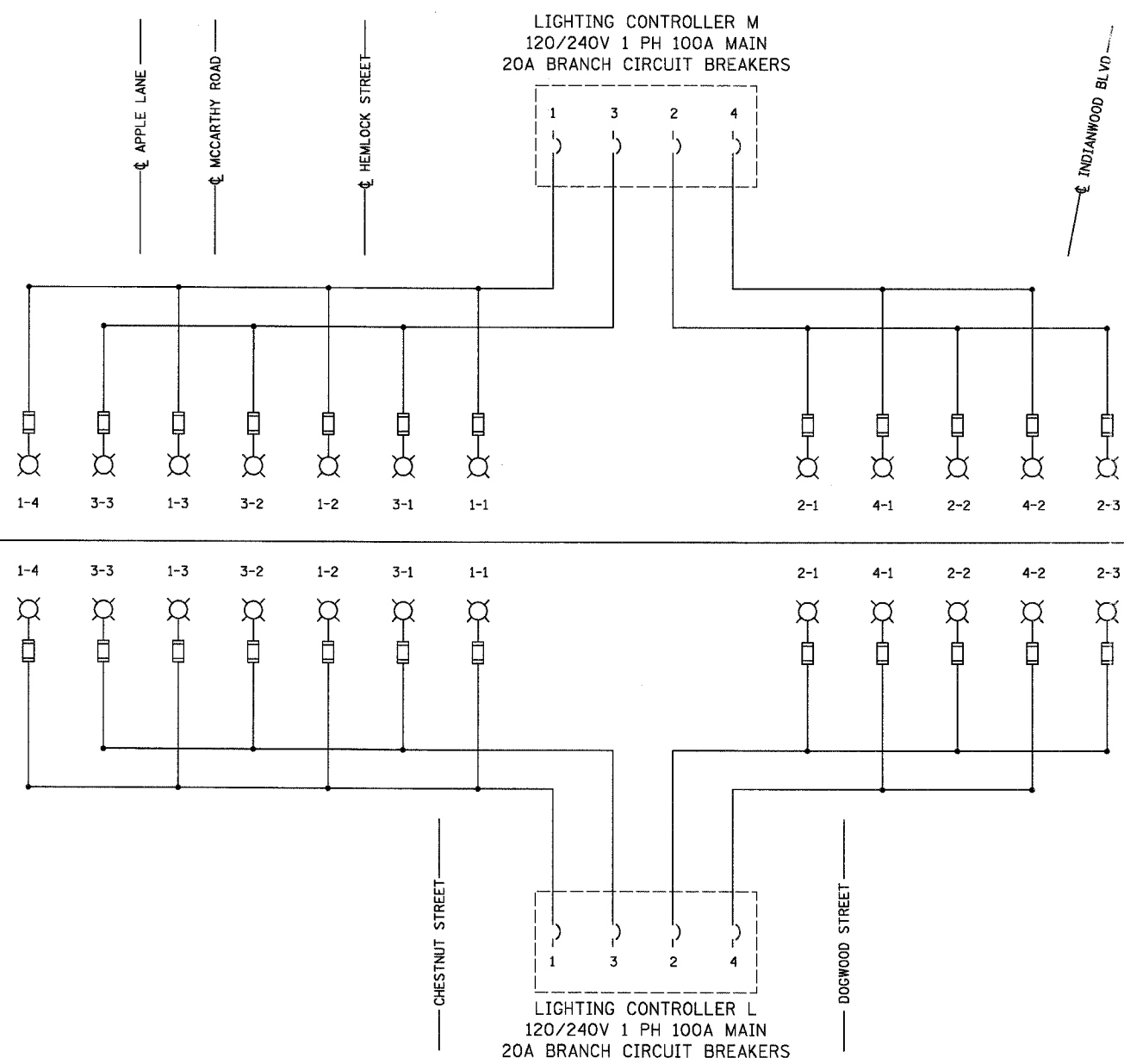


F.A. RTE.	SECTION	COUNTY	TOTAL SHEETS	SHEET NO.
2845	3152 WRS	COOK	192	144
STA. -		TO STA. -		
FED. ROAD DIST. NO. 1		ILLINOIS	FED. AID PROJECT	



SINGLE LINE LEGEND

- LUMINAIRE, 250 W HPS
- FUSE, 5A UNLESS OTHERWISE INDICATED
- CIRCUIT BREAKER
- 3 1/C #6 & 1/C #6 GND
- CONNECTION

CIRCUIT	LOAD (WATTS)
L-1	1344
L-2	1008
L-3	1008
L-4	672

CIRCUIT	LOAD (WATTS)
M-1	1344
M-2	1008
M-3	1008
M-4	672

REVISIONS	
NAME	DATE

ILLINOIS DEPARTMENT OF TRANSPORTATION

WESTERN AVE.
ONE LINE DIAGRAM
CONTROLLER L & M

SCALE: N.T.S. DATE: 1/7/07

DRAWN BY: A.P.
CHECKED BY: G.A.O.

EPSTEIN

A. EPSTEIN AND SONS INTERNATIONAL, INC.
800 WEST FULTON STREET CHICAGO, ILLINOIS 60611-1100
TEL: 312-454-9150 FAX: 312-489-1217 www.epstein-intl.com
CHICAGO LOS ANGELES TEL AVIV WARSAW BUCHAREST

PLOT DATE = 5/18/2007
PLOT SCALE = 1/8"=1'-0"
PLOT SCALE = 1/8"=1'-0"
USER NAME = 01BET0