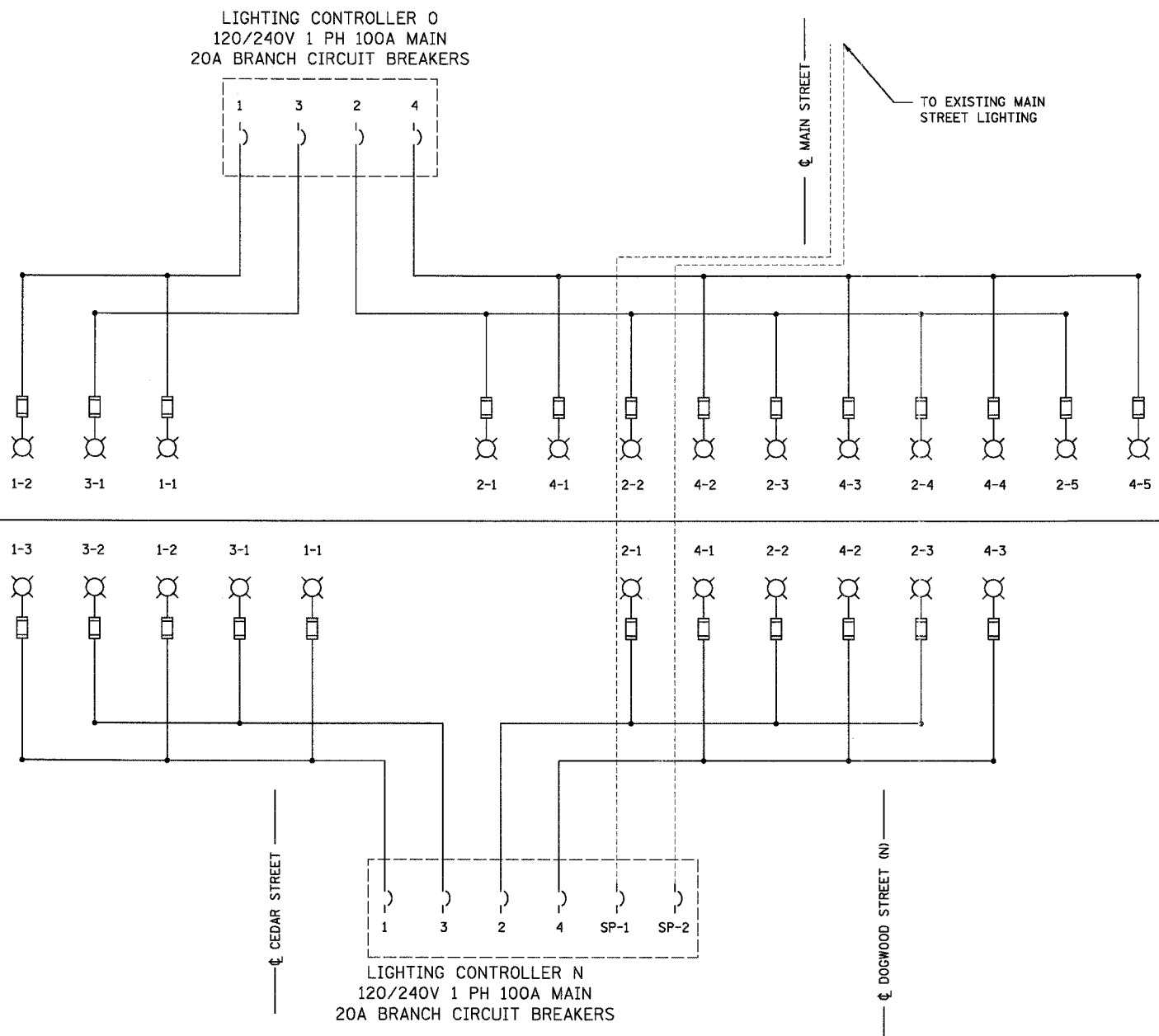


F.A. RTE.	SECTION	COUNTY	TOTAL SHEETS	SHEET NO.
2845	3152 WRS	COOK	195	145
STA. -		TO STA. -		
FED. ROAD DIST. NO. 1		ILLINOIS FED. AID PROJECT		



SINGLE LINE LEGEND

- ⊗ LUMINAIRE, 250 W HPS
- ⊞ FUSE, 5A UNLESS OTHERWISE INDICATED
- ⌋ CIRCUIT BREAKER
- 3 1/2 #6 & 1/2 #6 GND
- CONNECTION
- EXISTING ELECTRICAL

LOAD TABULATION CONTROLLER N	
CIRCUIT	LOAD (WATTS)
N-1	1008
N-2	1008
N-3	672
N-4	1008
SPARE 1	1008
SPARE 2	1008

LOAD TABULATION CONTROLLER O	
CIRCUIT	LOAD (WATTS)
O-1	672
O-2	1680
O-3	336
O-4	1680



REVISIONS	
NAME	DATE

ILLINOIS DEPARTMENT OF TRANSPORTATION

WESTERN AVE.
ONE LINE DIAGRAM
CONTROLLER N & O

SCALE: N.T.S. DATE: 1/7/07

DRAWN BY: A.P.
CHECKED BY: G.A.O.

PLOT DATE = 5/15/2007
FILE NAME = #FILE#
PLOT SCALE = #SCALE#
USER NAME = #USER#