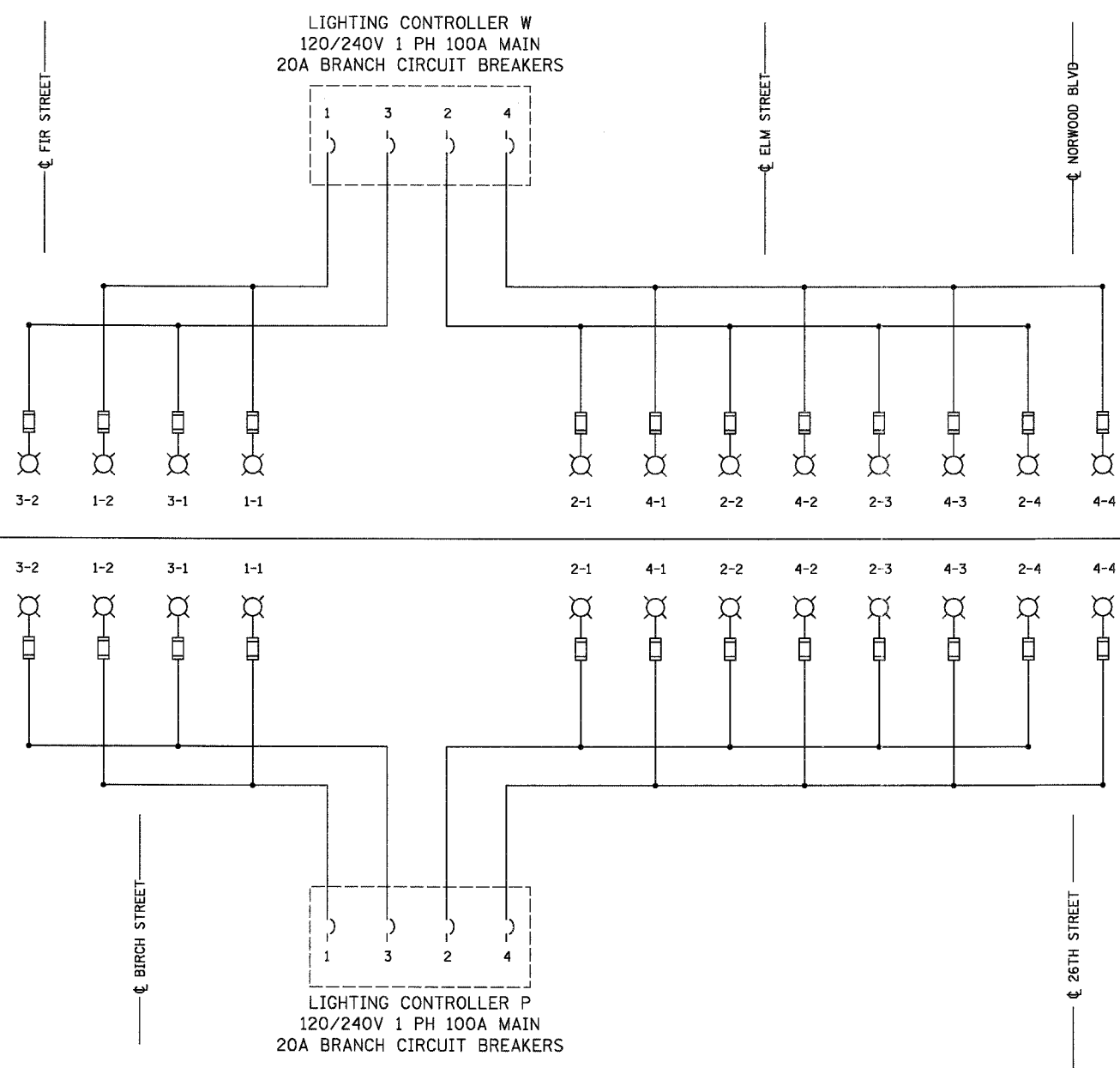


|                       |          |           |                  |           |
|-----------------------|----------|-----------|------------------|-----------|
| F.A. RTE.             | SECTION  | COUNTY    | TOTAL SHEETS     | SHEET NO. |
| 2845                  | 3152 WRS | COOK      | 192              | 146       |
| STA. -                |          | TO STA. - |                  |           |
| FED. ROAD DIST. NO. 1 |          | ILLINOIS  | FED. AID PROJECT |           |



SINGLE LINE LEGEND

- ⊗ LUMINAIRE, 250 W HPS
- ⊞ FUSE, 5A UNLESS OTHERWISE INDICATED
- ⌋ CIRCUIT BREAKER
- 3 1/C #6 & 1/C #6 GND
- CONNECTION

| LOAD TABULATION<br>CONTROLLER P |              |
|---------------------------------|--------------|
| CIRCUIT                         | LOAD (WATTS) |
| P-1                             | 672          |
| P-2                             | 1344         |
| P-3                             | 672          |
| P-4                             | 1680         |

| LOAD TABULATION<br>CONTROLLER W |              |
|---------------------------------|--------------|
| CIRCUIT                         | LOAD (WATTS) |
| W-1                             | 672          |
| W-2                             | 1344         |
| W-3                             | 672          |
| W-4                             | 1344         |

E-22

| REVISIONS |      |
|-----------|------|
| NAME      | DATE |
|           |      |
|           |      |
|           |      |
|           |      |
|           |      |
|           |      |
|           |      |
|           |      |
|           |      |

ILLINOIS DEPARTMENT OF TRANSPORTATION

WESTERN AVE.  
ONE LINE DIAGRAM  
CONTROLLER P & W

SCALE: N.T.S.  
DATE: 1/7/07

DRAWN BY: A.P.  
CHECKED BY: G.A.O.



A. EPSTEIN AND SONS INTERNATIONAL, INC.  
800 WEST FULTON STREET, CHICAGO, ILLINOIS 60611-1199  
T: 312-864-9100 F: 312-858-1217 www.epstein-il.com  
CHICAGO LOS ANGELES TEL AVIV WARSAW BUCHAREST

PLOT DATE = 5/10/2007  
PLOT SCALE = 1/8"=1'-0"  
PLOT USER = J. B. GIBSON  
USER NAME = J. B. GIBSON