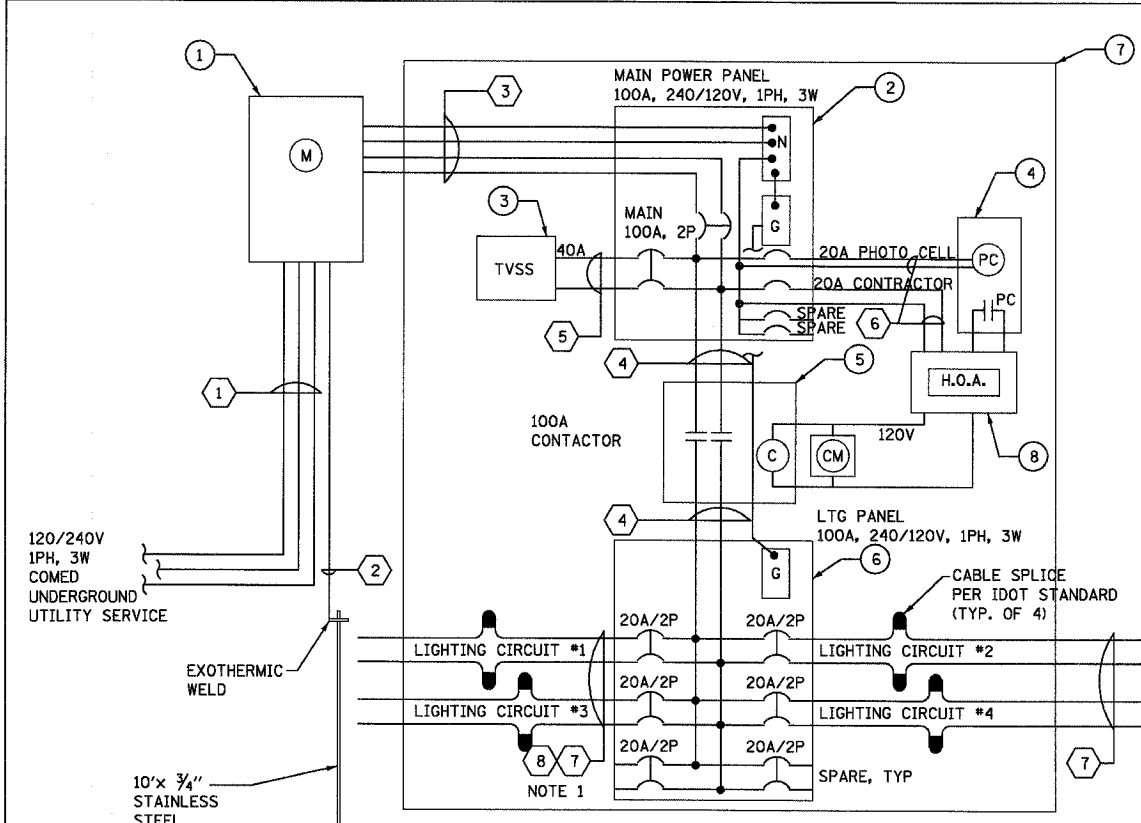


F.A. RTE.	SECTION	COUNTY	TOTAL SHEETS	SHEET NO.
2845	3152 WRS	COOK	19	17
STA. -		TO STA. -		
FED. ROAD DIST. NO. 1 ILLINOIS FED. AID PROJECT				



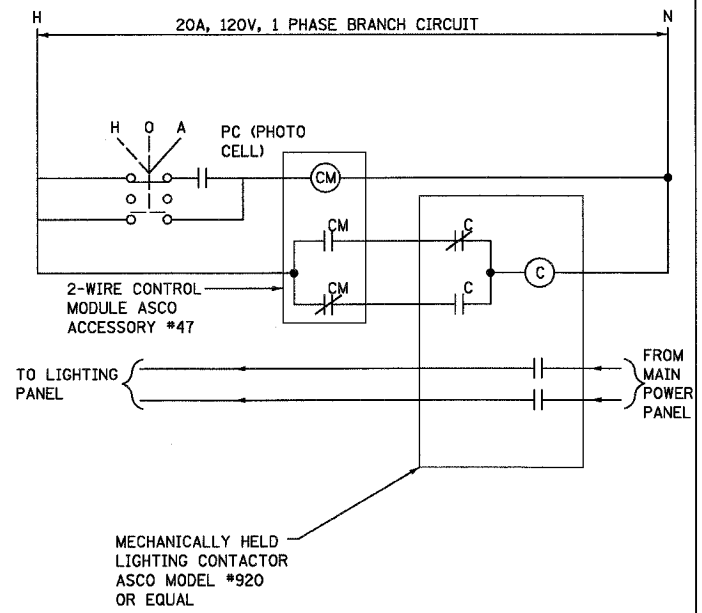
CONTROLLER WIRING DIAGRAM

CONTROLLER ID: K, L, M, N, O, P, R, S, T, U, V, W.

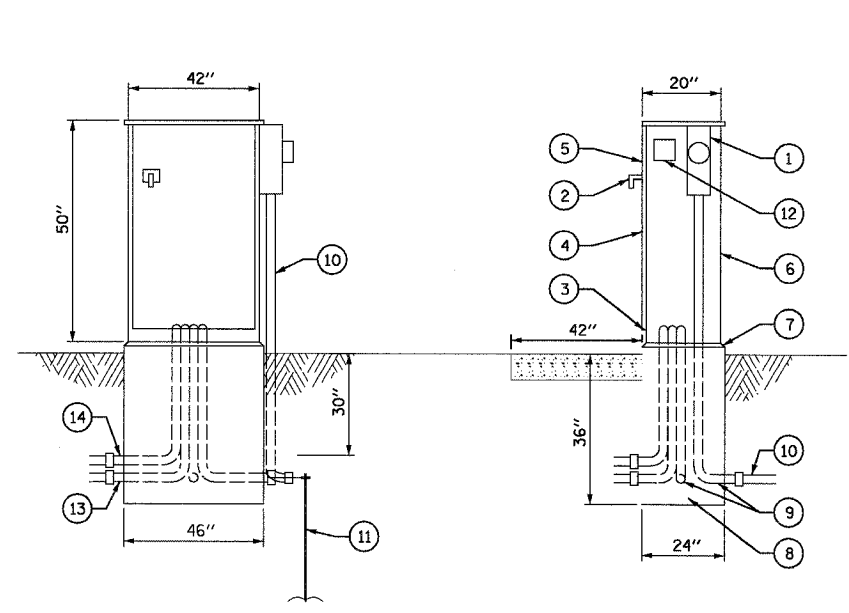
NOTE 1:
CIRCUIT #1 AND #3 SHALL BE USED FOR TEMPORARY LIGHTING. REUSE THE SAME CIRCUITS FOR PROPOSED LIGHTING AFTER DISCONNECTION OF TEMPORARY LIGHTING CIRCUIT.

ITEM	QTY	ITEM DESCRIPTION	REMARKS
①		METER HOUSING AND SOCKET	NEMA 3R, C.E.CO. APPROVED
②		MAIN PANEL, 100A, 240V, 1 PHASE 3WIRE, 22KAIC	NEMA-1 SERVICE ENTRANCE RATED
③		TRANSIENT VOLTAGE SURGE SUPPRESSION PANEL (TVSS)	180KA PER MODE
④		PHOTO-CELL	CONTROL CIRCUIT
⑤		FEDDER CIRCUIT CONTACTOR, 100A,240V, 22KAIC	CONTROL CIRCUIT
⑥		LIGHTING PANEL, MLO, 100A, 240V, 1PHASE, 3 WIRE	BRANCH PANEL, NEMA-1
⑦		ENCLOSURE	NEMA 3R, AS PER IDOT STANDARDS
⑧		HAND-OFF-AUTO	NEMA 1 JUNCTION BOX AND SELECTOR SWITCH

ITEM	AMPS	COPPER WIRING (AWG)	CONDUIT	REMARKS
①	100A	3 * 1/0	1/2" RGS	SERVICE RATED TYPE U.S.E.
②		1 * 6	3/4" RGS	SERVICE GROUND
③	100A	3 * 1/0, 1 * 6 GND	1/2" RGS	MAIN POWER PANEL
④	100A	2 * 1, 1 * 6 GND	1/2" RGS	LIGHTING PANEL
⑤	40A	2* 8, 1 * 10 GND	3/4" RGS	TVSS
⑥	20A	2* 12, 1*12 GND	3/4" RGS	PHOTO-CELL, CONTACTOR
⑦	20A	4 * 6, 1 * 6 GND	1/2" UNIT DUCT	PROPOSED LIGHTING CIRCUIT IN UNIT DUCT
⑧	20A	4 * 4, 1 * 6 GND	1/2" UNIT DUCT	TEMPORARY LIGHTING CIRCUIT IN UNIT DUCT

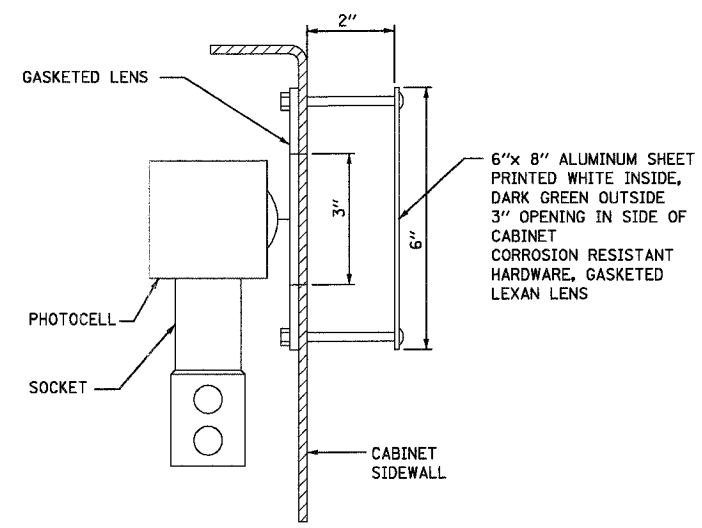


EXTERIOR LIGHTING CONTROL SCHEMATIC



CONTROLLER CABINET & FOUNDATION DETAIL

ITEM	QTY	DESCRIPTION
①		RINGLESS TYPE METER SOCKET. (COORDINATE REQUIREMENTS WITH COMED)
②		3/4" HANDLE LATCH & SHOOT BOLTS
③		RUBBER GASKET BETWEEN DOOR AND BACK HINGE
④		STAINLESS STEEL PIANO HINGE
⑤		FORMED DOOR
⑥		CONTROLLER TO BE CONSTRUCTED OF 1/8" THICK SHEET ALUMINUM
⑦		1" CHAMFER
⑧		POURED IN PLACE CLASS SI CONCRETE FOUNDATION
⑨		GALVANIZED STEEL CONDUITS AS SPECIFIED ON PLAN, PLUS ONE MORE THAN NECESSARY
⑩		GALVANIZED STEEL CONDUITS, 1/2" DIA., TO SERVICE CONNECTION
⑪		GROUND ROD CONNECTED TO GROUND WIRE WITH EXOTHERMIC WELD
⑫		3"x 3" LEXAN WINDOW IN CABINET WALL FOR PHOTOCELL
⑬		PROPOSED LIGHTING RACEWAY (1/2" CONDUIT SLEEVE)
⑭		TEMPORARY LIGHTING RACEWAY (1/2" CONDUIT SLEEVE)



PHOTOCELL MOUNTED IN CONTROLLER CABINET

EPSTEIN
A. EPSTEIN AND SONS INTERNATIONAL, INC.
408 WEST FULLTON ST./CHICAGO, ILLINOIS 60611-1999
TEL: 312-454-9130 FAX: 312-454-1317 www.epstein-intl.com
CHICAGO LOS ANGELES TEL AVIV WARSAW BUCHAREST

NAME	DATE

ILLINOIS DEPARTMENT OF TRANSPORTATION
WESTERN AVE. CONTROLLER DETAIL
SCALE: N.T.S.
DATE: 1/7/07
DRAWN BY: A.P.
CHECKED BY: G.A.O.

PLOT DATE = 5/19/2007
FILE NAME = 017117
PLOT SCALE = 1/8"=1'-0"
USER NAME = MUSENO