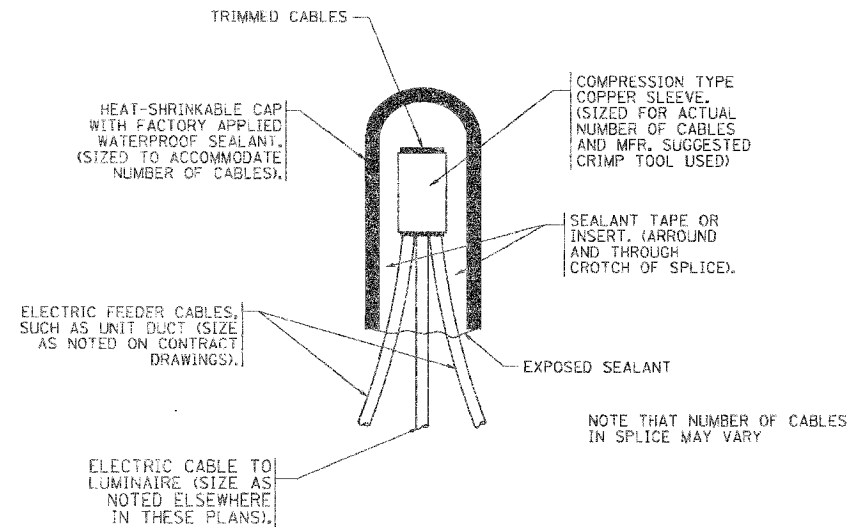
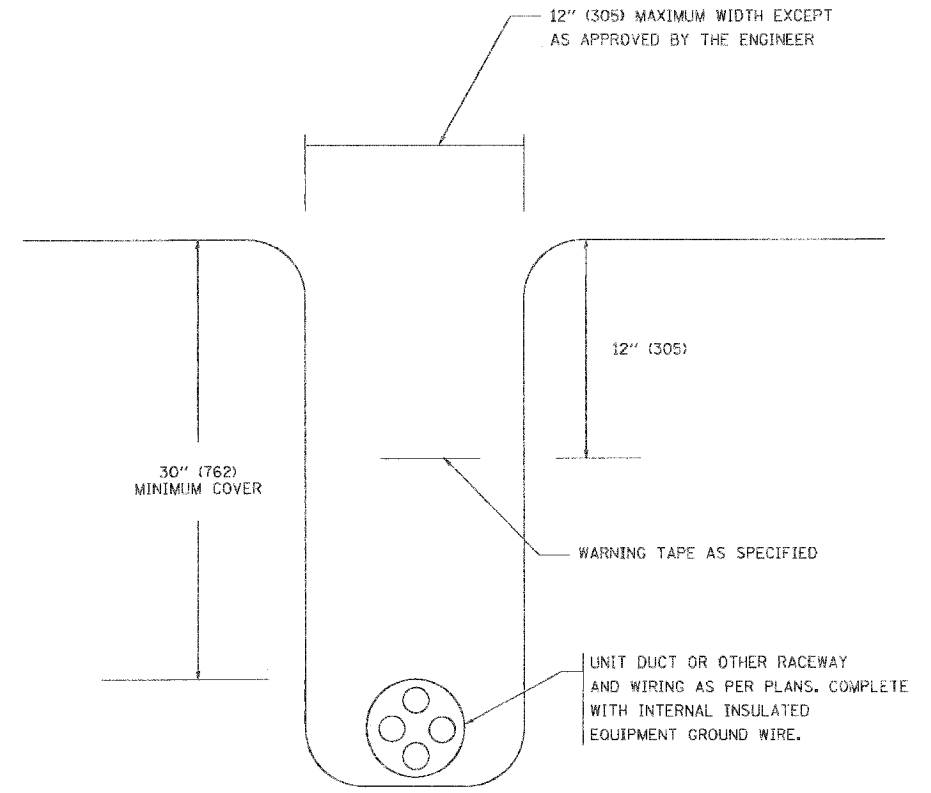


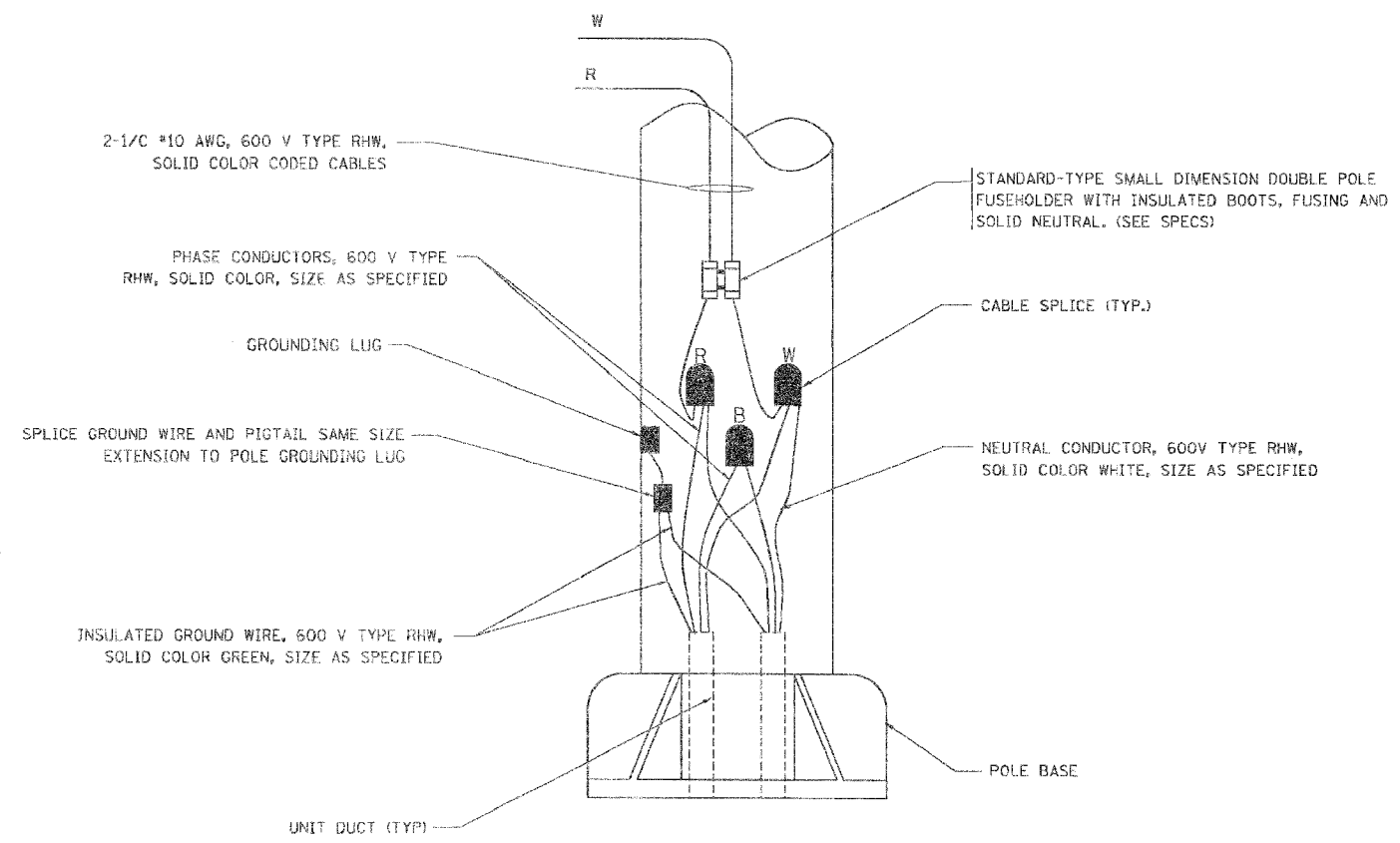
F.A. RTE.	SECTION	COUNTY	TOTAL SHEETS	SHEET NO.
2845	3152 WRS	COOK	195	137
STA.		TO STA.		
FED. ROAD DIST. NO. 1		ILLINOIS	FED. AID PROJECT	



TYPICAL SPLICE DETAIL
N.T.S.



TYPICAL WIRING IN TRENCH DETAIL
N.T.S.



POLE WIRING DETAIL
N.T.S.

REVISIONS	
NAME	DATE

ILLINOIS DEPARTMENT OF TRANSPORTATION

MISC. ELECTRICAL DETAILS
SHEET A

SCALE: VERT. _____
HORIZ. _____
DATE: 1/18/2007

DRAWN BY _____
CHECKED BY _____
BE-702
REVISION DATE: 01/01/07

PLT: DATE: 1/18/2007
FILE: \\ns01\projects\62742\misc\elec\sheeta.dwg
USER: NAME: B. B. B. / J. W.
DSCR: NAME: B. B. B. / J. W.