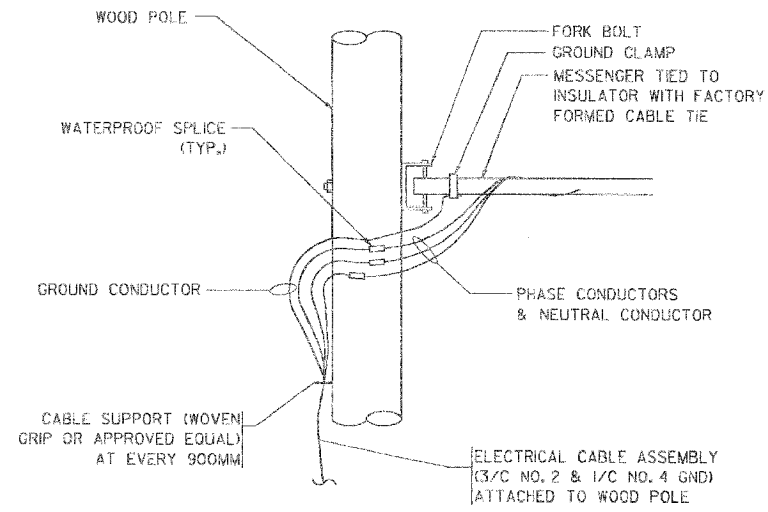
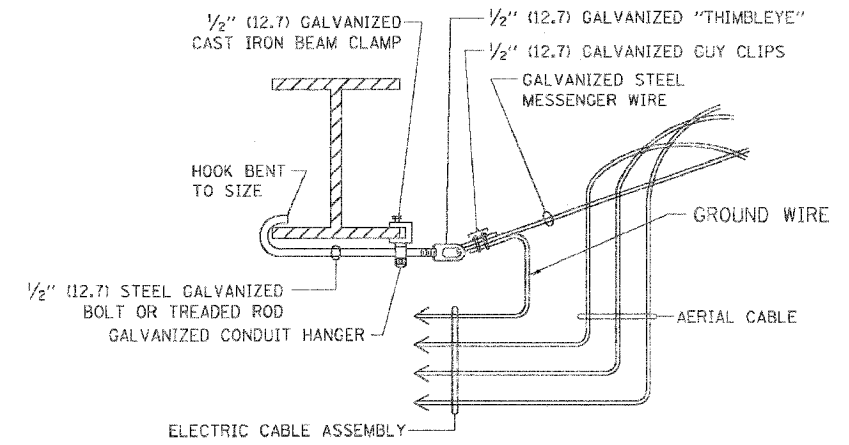


F.A. RTE.	SECTION	COUNTY	TOTAL SHEETS	SHEET NO.
2845	3152 WRS	COOK	195	160
STA.		TO STA.		
FED. ROAD DIST. NO. 1		ILLINOIS FED. AID PROJECT		



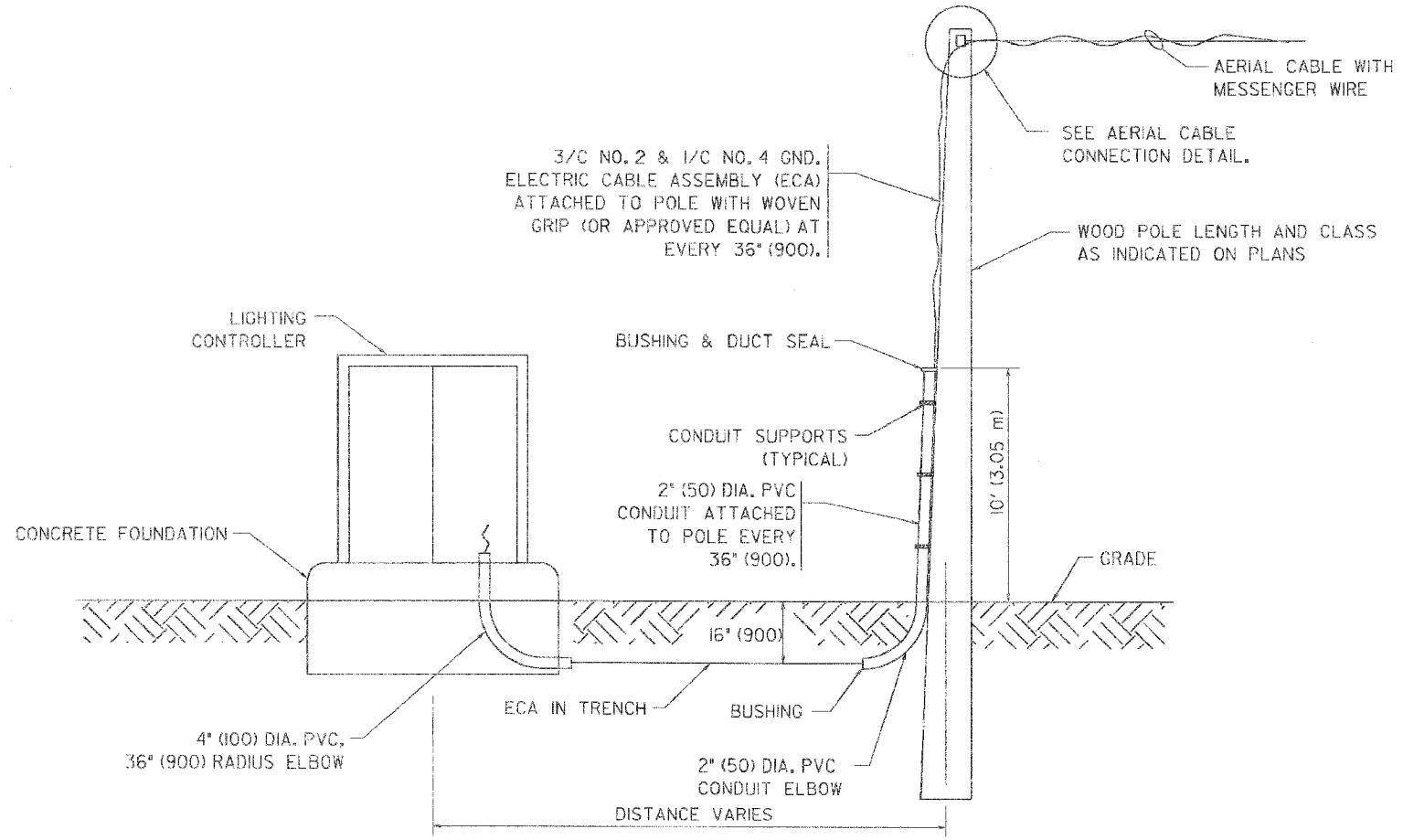
AERIAL CABLE CONNECTION DETAIL  
N.T.S.



AERIAL CABLE ATTACHED TO STRUCTURE  
NOT TO SCALE

**NOTES:**

1. ALL DIMENSIONS IN INCHES (MILLIMETERS) UNLESS OTHERWISE INDICATED.
2. SEE PROPOSED LIGHTING PLAN FOR CONDUIT, CABLE AND ROUTING.
3. THE CONTRACTOR SHALL PROVIDE INTERMEDIATE SUPPORTS TO MAINTAIN MINIMUM CLEARANCES. REFER TO AERIAL CABLE ATTACHED TO STRUCTURE DETAIL.
4. COST OF SPLICES AND MOUNTING HARDWARE SHALL BE INCLUDED IN THE UNIT PRICE FOR AERIAL CABLE.



WOOD POLE TO LIGHTING CONTROLLER WIRING CONNECTION DETAIL  
N.T.S.

REVISIONS		ILLINOIS DEPARTMENT OF TRANSPORTATION
NAME	DATE	
		TEMPORARY AERIAL CABLE INSTALLATION

SCALE: VERT. HORIZ. DATE: 1/17/2007

DRAWN BY: BE-801  
CHECKED BY: BE-801  
REVISION DATE: 01/01/07

PLOT DATE: 1/17/2007  
 FILE NAME: \\s:\projects\62742\dwg\62742\_160.dwg  
 PLOT SCALE: 5/8" = 1'-0"  
 USER NAME: jbrubaker