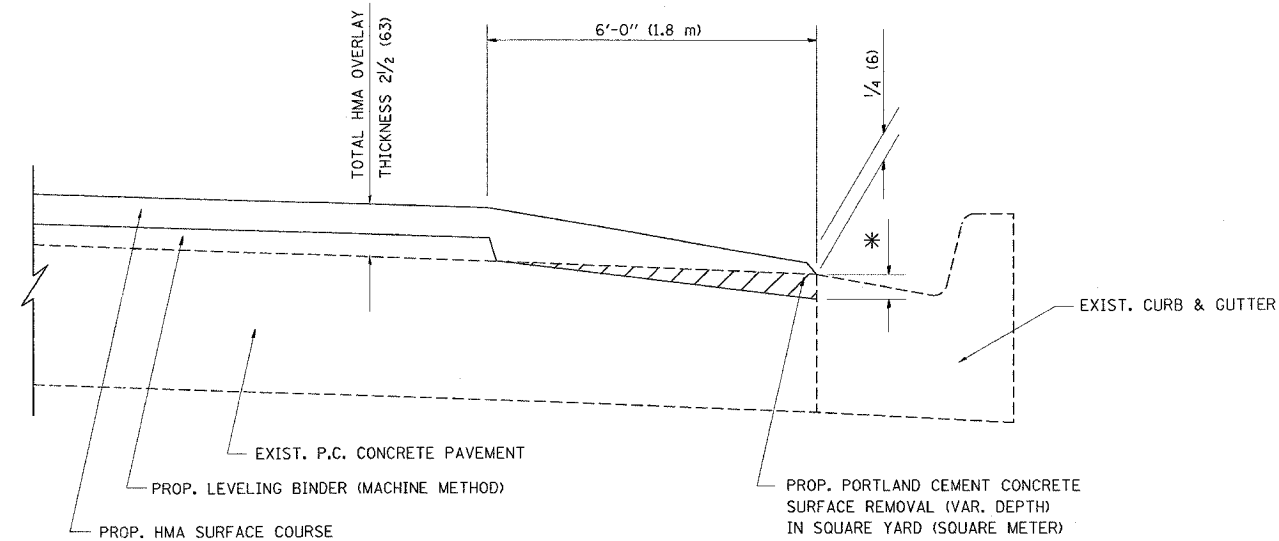


CONTRACT NO. 62742

F.A.J. RTE.	SECTION	COUNTY	TOTAL SHEETS	SHEET NO.
2845	3152 WRS	COOK	195	166
STA.		TO STA.		
FED. ROAD DIST. NO. 1		ILLINOIS FED. AID PROJECT		



HMA TAPER AT
EDGE OF P.C.C. PAVEMENT

HMA SURFACE	LEVELING BINDER	MIX	THICKNESS	THICKNESS	* MILLING AT GUTTER FLAG
C OR D	1/2 (38)	1	(25)	1/4 (33)	
F	1 1/4 (44)	3/4 (19)	1/2 (38)		

ALL DIMENSIONS ARE IN INCHES (MILLIMETERS) UNLESS OTHERWISE SHOWN.

REVISIONS	
NAME	DATE
R. SHAH	09/10/94
R. SHAH	10/25/94
A. ABBAS	05/05/99
E. GOMEZ	12/21/00
R. BORO	01/01/07

ILLINOIS DEPARTMENT OF TRANSPORTATION

HMA TAPER AT
EDGE OF P.C.C. PAVEMENT

SCALE: VERT. NONE
HORIZ. NONE
PLOT DATE: 7/2/2007

DRAWN BY jls
CHECKED BY A. ABBAS

BD400-06 (BD33)
REVISION DATE: 01/01/07

PLOT DATE = 7/2/2007
FILE NAME = P:\projects\bd33.dgn
USER NAME = gullibonerp