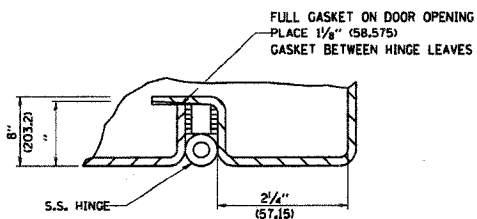
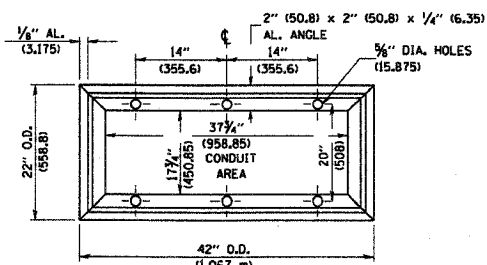


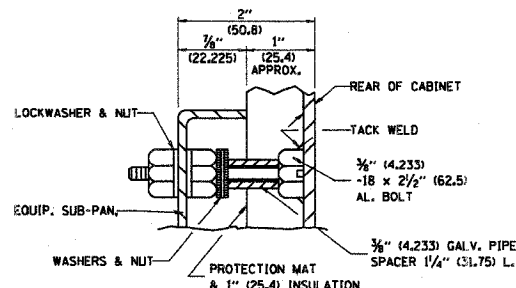
F.A. RTE.	SECTION	COUNTY	TOTAL SHEETS	SHEET NO.
273403-00287-05 AS	LAKE		125	125
STA.		TO STA.		
FED. ROAD DIST. NO.		ILLINOIS FED. AID PROJECT		



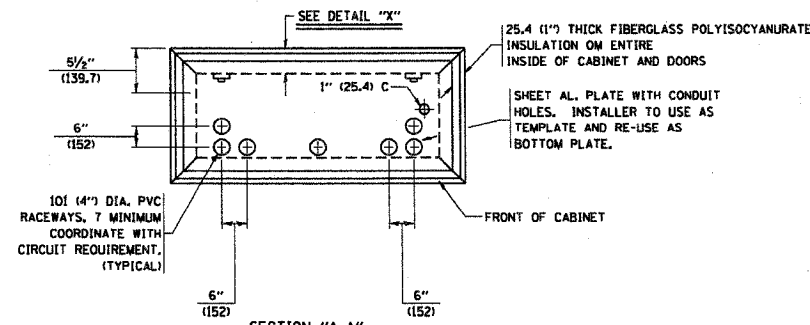
DETAIL "Y"



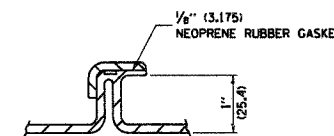
BASE MTG. DETAIL



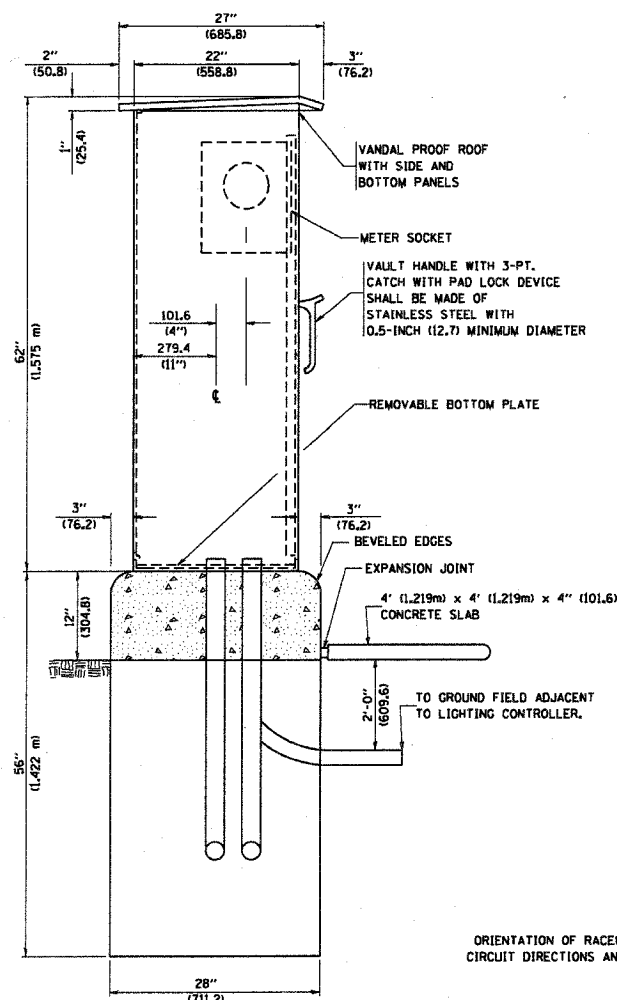
DETAIL "X"



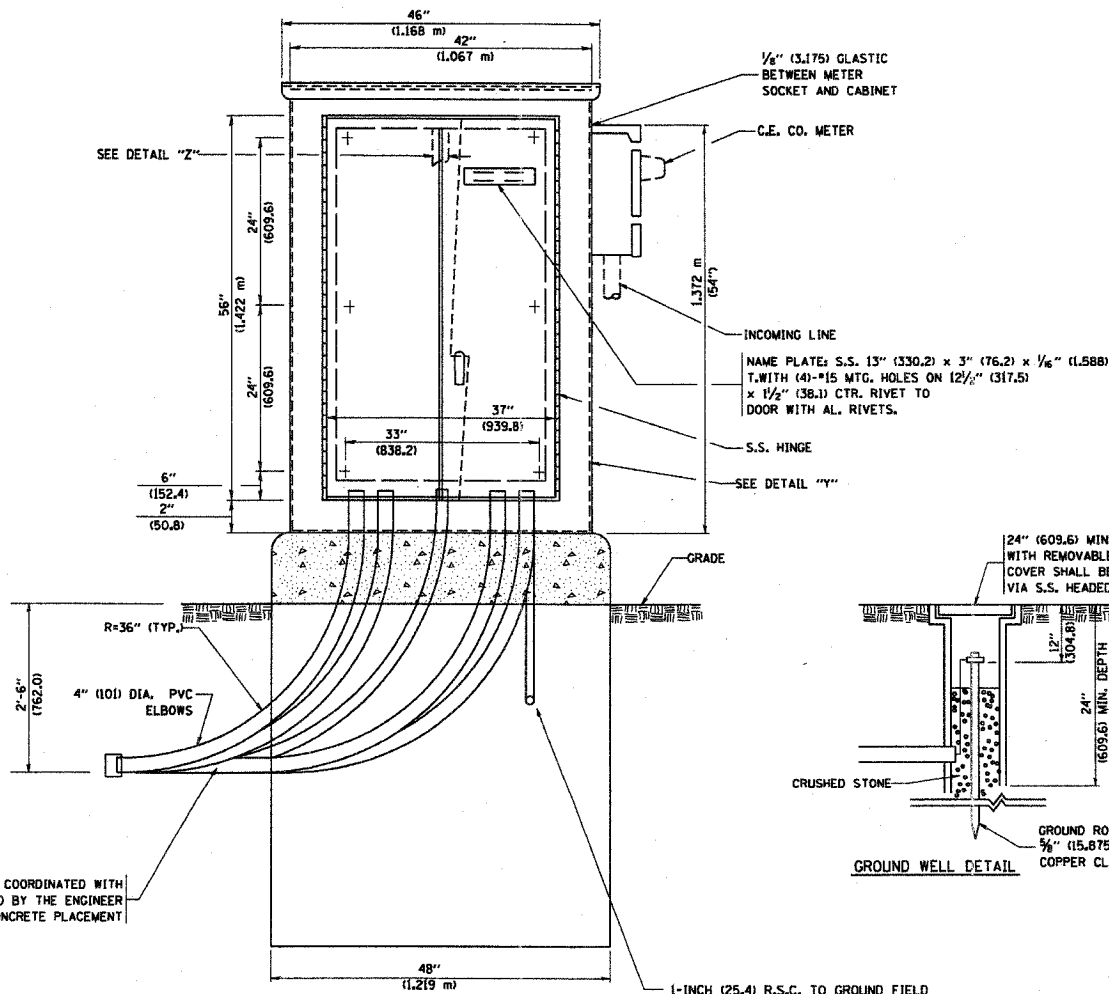
SECTION "A-A"



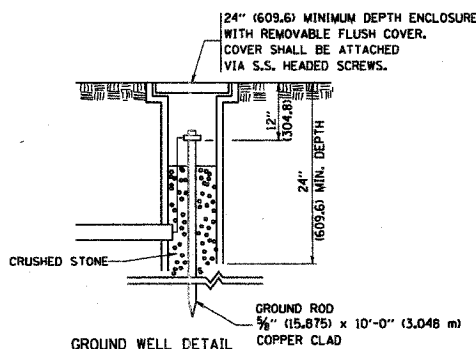
DETAIL "Z"



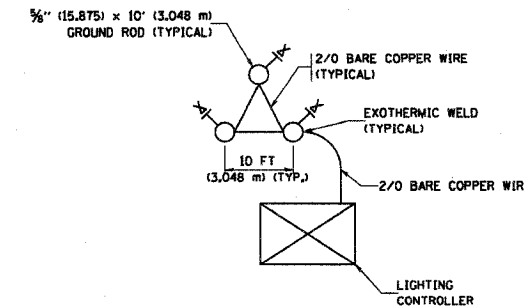
LEFT SIDE ELEVATION



FRONT ELEVATION



GROUND WELL DETAIL



GROUND FIELD DETAIL (N.T.S.)

THE CONTRACTOR SHALL VERIFY EXACT LOCATION WITH THE ENGINEER

Added 9-10-07

E-200

ORIENTATION OF RACEWAYS SHALL BE COORDINATED WITH CIRCUIT DIRECTIONS AND BE INSPECTED BY THE ENGINEER PRIOR TO CONCRETE PLACEMENT

1-INCH (25.4) R.S.C. TO GROUND FIELD OF 3 GROUND RODS IN A 10 FT (3,048 m). TRIANGLE CONNECTED VIA BARE COPPER WIRE. VERIFY EXACT LOCATION OF GROUND FIELD WITH THE ENGINEER. NO GROUND WELL SHALL BE PLACED IN CONCRETE PAD IN FRONT OF CONTROLLER.

REVISIONS	
NAME	DATE

ILLINOIS DEPARTMENT OF TRANSPORTATION

LIGHTING CONTROLLER, DUPLEX TYPE

SHT 3 OF 4

SCALE: VERT. NONE
HORIZ.

DRAWN BY C.A.D.
CHECKED BY
E-200 (BE-200)

PLOT DATE: 3/6/2007
PLOT SCALE: 3/8" = 1'-0"
USER NAME: bhuurd