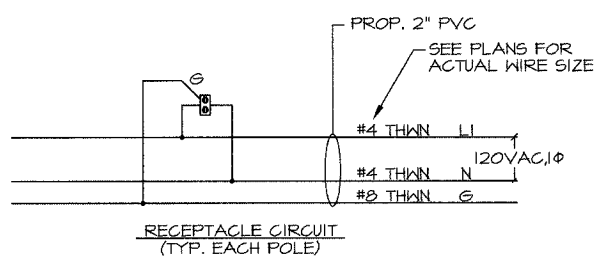
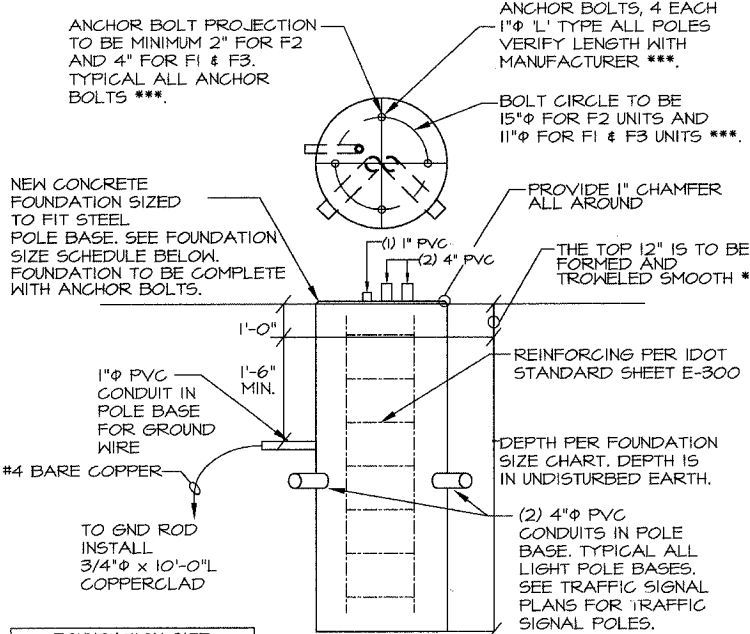


LIGHTING CIRCUIT
NO SCALE



RECEPTACLE CIRCUIT
(TYP. EACH POLE)

WIRING DIAGRAM
NO SCALE



POLE HT	DEPTH *	DIA
30'	4'	30"
15'	5'	24"

POLE FOUNDATION DETAIL
NO SCALE

* MINIMUM DEPTH IN UNDISTURBED EARTH. VERIFY ACTUAL POLE FOUNDATION DEPTH WITH ENGINEER PRIOR TO INSTALLATION.

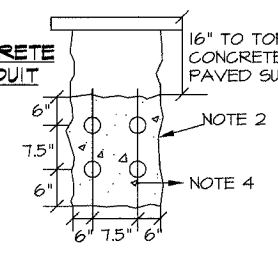
** TOP 12" TO HAVE SMOOTH FINISH.

*** VERIFY ALL ANCHOR BOLT AND BOLT CIRCLE REQUIREMENTS WITH MANUFACTURER PRIOR TO INSTALLING ANY FOUNDATIONS. THIS INCLUDES SIZE, DIA., LENGTH, PROJECTION AND BOLT CIRCLE.

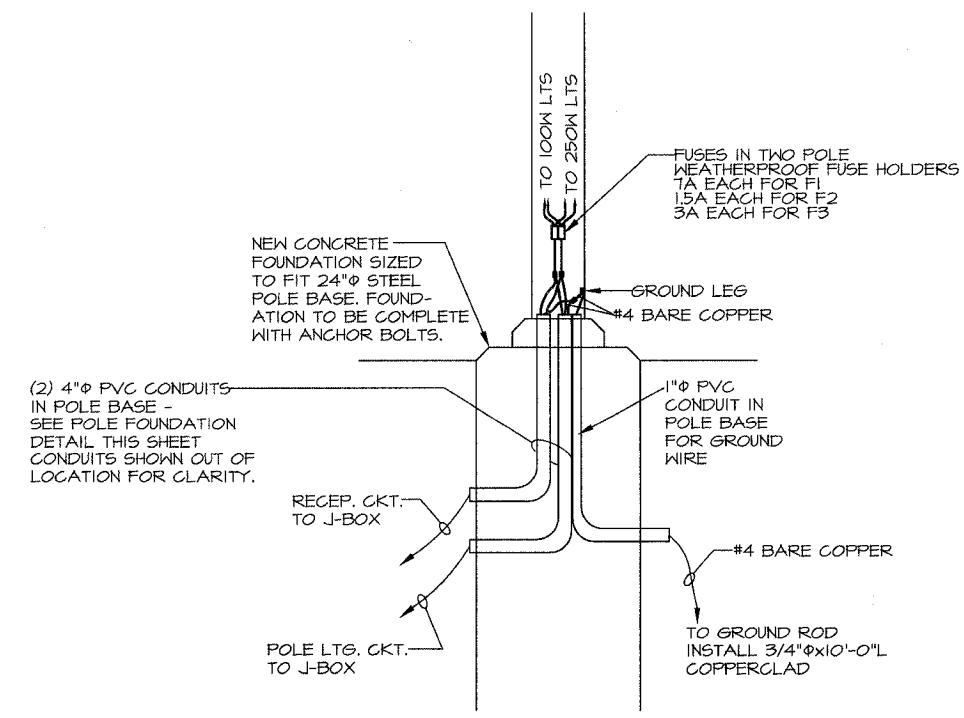
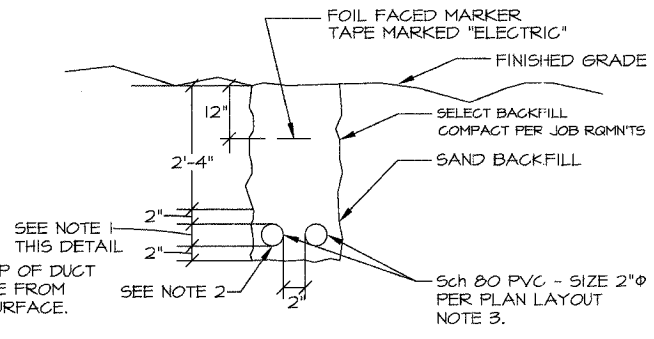
NOTES

1. OUTSIDE DIAMETER, CONDUIT.
2. NUMBER OF CONDUITS IN TRENCH MAY VARY FROM THAT SHOWN. CONTRACTOR SHALL ARRANGE CONDUITS AS DETAILED IN NEC SECTION 310 and ANNEX B-310
3. MINIMUM BURIAL DEPTH TO TOP OF TOP CONDUIT TO BE 30", AS DETAILED.
4. PROVIDE A MINIMUM OF 18" BETWEEN ADJACENT DUCT BANKS

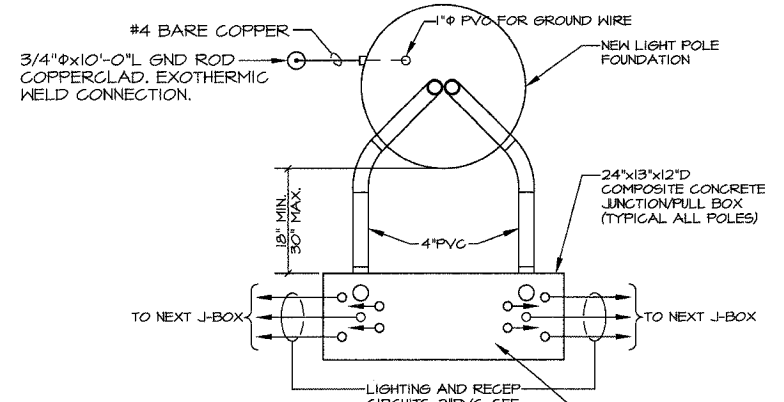
TYPICAL CONCRETE ENCASED CONDUIT INSTALLATION
NO SCALE



TYPICAL CONDUIT INSTALLATION IN TRENCH
NO SCALE

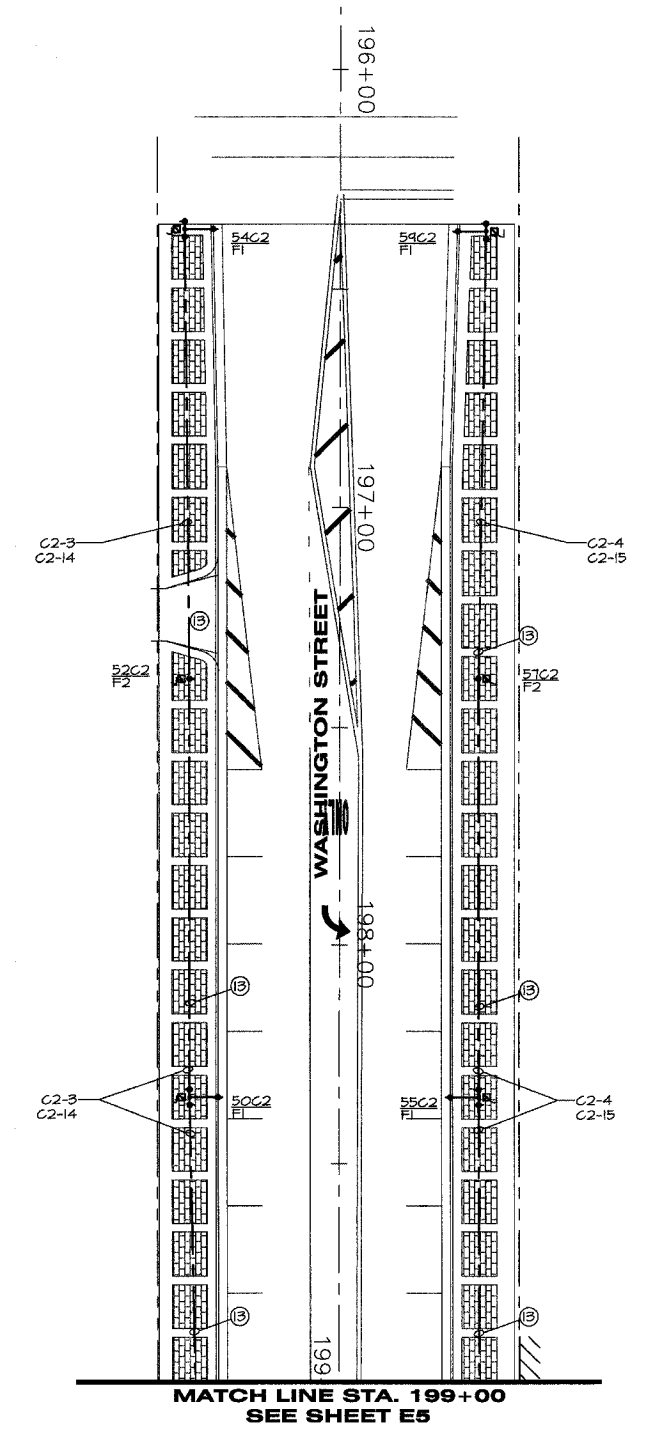


POLE WIRING DETAIL (TYPICAL)
NO SCALE



JUNCTION BOX DETAIL
TYPICAL ALL LIGHT POLES
NO SCALE

SCALE: HOR. 1"=20'



- GENERAL NOTES:**
1. SEE SHEET 66 FOR KEYED NOTES
 2. SEE SHEET 72 FOR CIRCUIT SCHEDULES

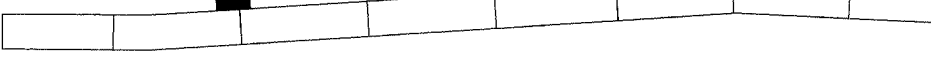


Hymans Engineering, Inc.

804 Wythe Road, Springfield, IL 62708
Phone: (217) 787-0586 FAX: (217) 787-0785
Internet: e-mail: nyengineering@nettech.net
Design Firm License No.: 184-001285

EXPIRATION DATE: 11/30/07

SHEET KEY



REVISIONS		
NO.	ITEM	DATE

SCALE:	AS NOTED
DRAWN BY:	KEH/DEH
CHECKED BY:	AMH
DATE:	3-3-06

McCLURE ENGINEERING ASSOCIATES, INC.
2728 Grand Ave. Waukegan, IL 60085 Design Firm License: Illinois #184-000816
TEL 847-336-7100 FAX 847-336-7155 Copyright 2004 by
EMAIL wk@mcclureengineering.com McClure Engineering Associates, Inc.

LIGHTING PLAN-STA 199+00 - 196+00 & DETAILS
SHERIDAN ROAD IMPROVEMENTS
CITY OF WAUKEGAN JOB NUMBER: 02-28-03-231 LAKE COUNTY, ILLINOIS
W:\dug\K\SHERIDAN-RD\Lighting\LightingPlanE4-E5_SheridanRD-Light-010706.dwg 3/5/2006 11:28:48 AM CST

SHEET NO. **74** of **122**