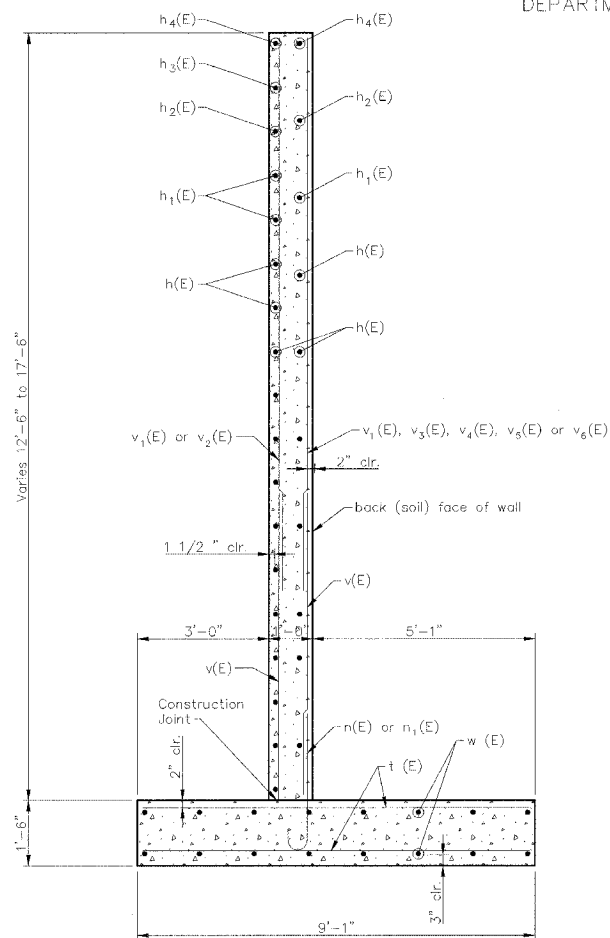


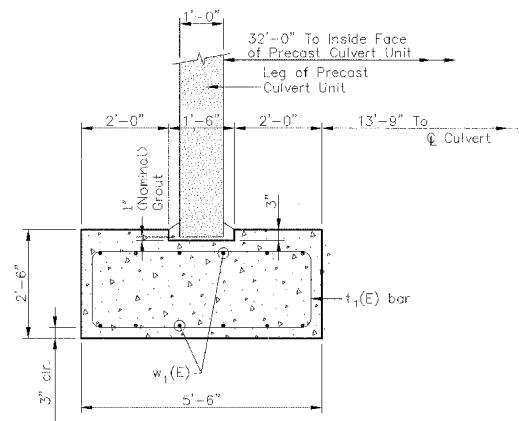
ROUTE NO.	SECTION	COUNTY	TOTAL SHEETS	SHEET NO.
C.H. 22	93-00085-00-BR	HANCOCK	11	10

PLAN, ELEVATION, SECTIONS AND DETAILS

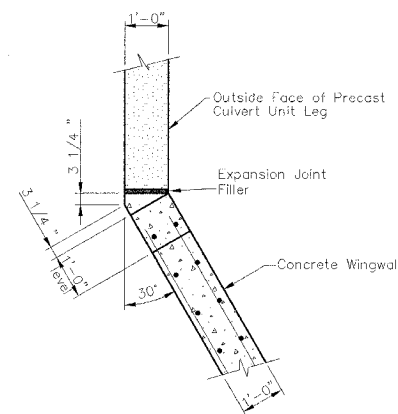
SHEET 3 OF 3



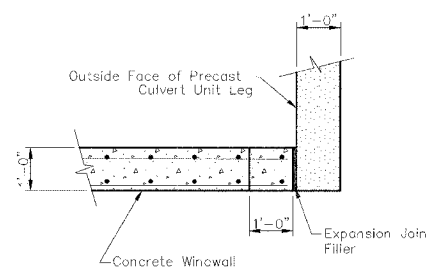
SECTION A-A



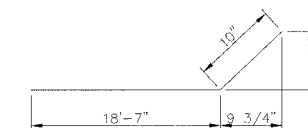
DETAIL A



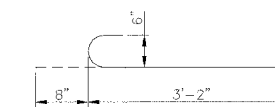
DETAIL C1



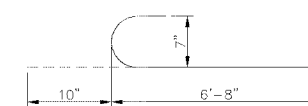
DETAIL C2



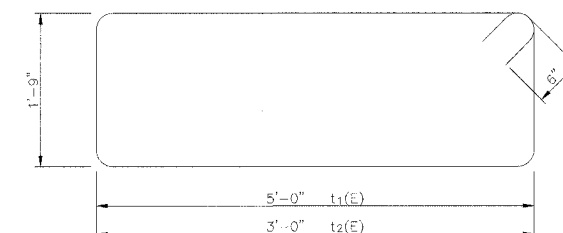
BAR h₄(E)



BAR n₁(E)



BAR n(E)



BARS t₁(E) and t₂(E)

BILL OF MATERIAL

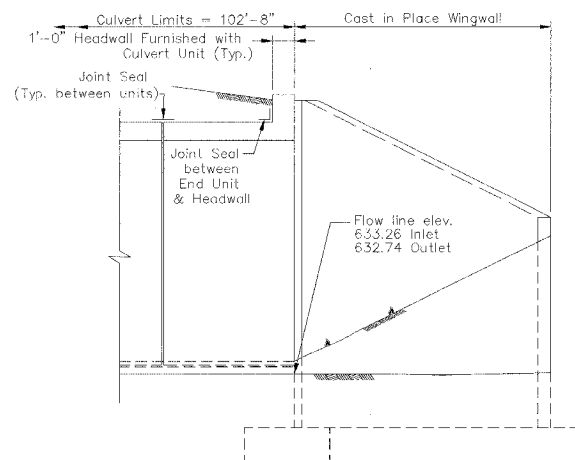
Bar	No.	Size	Length	Shape
h(E)	80	#4	18'-9"	
h ₁ (E)	12	#4	18'-11"	
h ₂ (E)	8	#4	19'-1"	
h ₃ (E)	4	#4	19'-3"	
h ₄ (E)	8	#4	19'-5"	
n(E)	80	#7	7'-6"	
n ₁ (E)	84	#6	3'-10"	
v(E)	108	#5	7'-0"	
v ₁ (E)	28	#4	9'-5"	
v ₂ (E)	12	#4	12'-1"	
v ₃ (E)	16	#4	8'-5"	
v ₄ (E)	20	#4	10'-9"	
v ₅ (E)	16	#4	11'-9"	
v ₆ (E)	16	#4	12'-7"	
t(E)	168	#6	8'-10"	
t ₁ (E)	204	#6	14'-6"	
t ₂ (E)	2	#6	10'-6"	
w(E)	64	#6	18'-9"	
w ₁ (E)	72	#4	35'-6"	
Concrete Structures		Cu. Yd.	183.7	
Controlled Low Strength Material		Cu. Yd.	376.5	
Reinforcement Bars, Epoxy Coated		Pound	14,890	

Reinforcement Bars designated (E) shall be epoxy coated.

Bars indicated thus 6x3-#4 etc indicates 6 lines of bars with 3 lengths per line.

MIN. BAR LAPS

#4(E)	1'-8"
#5(E)	2'-1"
#6(E)	2'-7"
#7(E)	3'-5"
#8(E)	4'-6"



SECTION B-B

DESIGNED	J.L.S.
CHECKED	C.S.B.
DRAWN	J.L.S.
CHECKED	C.S.B.

SECTIONS AND DETAILS FOR CAST IN PLACE WINGWALLS AND FOUNDATION
C.H. 22
SECTION 93-00085-00-BR
HANCOCK COUNTY
STATION 49+84

PSBA POEPPING, STONE, BACH & ASSOCIATES, INC.
ARCHITECTS ENGINEERS PLANNERS SURVEYORS
100 S. 64TH ST., P.O. BOX 709 • QUINCY, IL 62305 • PHONE 217/223-4626
2025 MARK BLDG. P.O. BOX 817 • KEGONKA, IA 52502 • PHONE 319/244-8758
www.psba.com email: psba@psba.com

Date: JAN 2007
Project No.: R-03-01B
File No.: R0301B-3