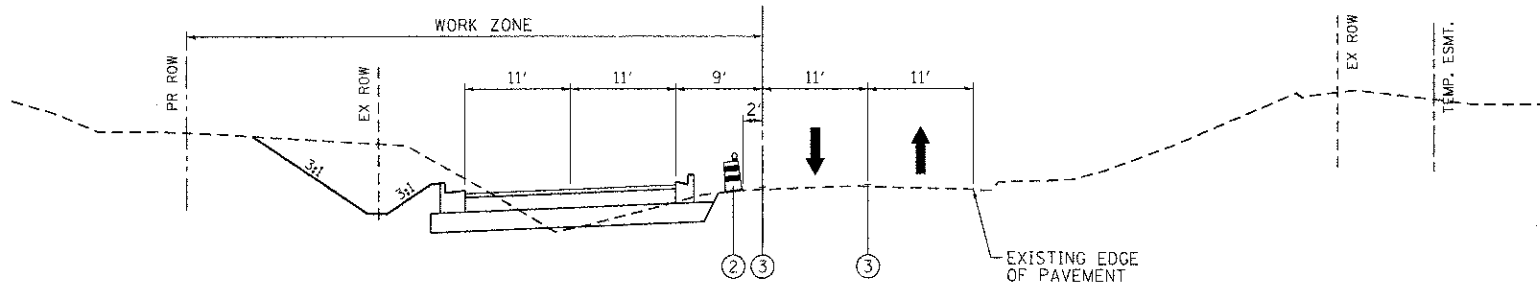
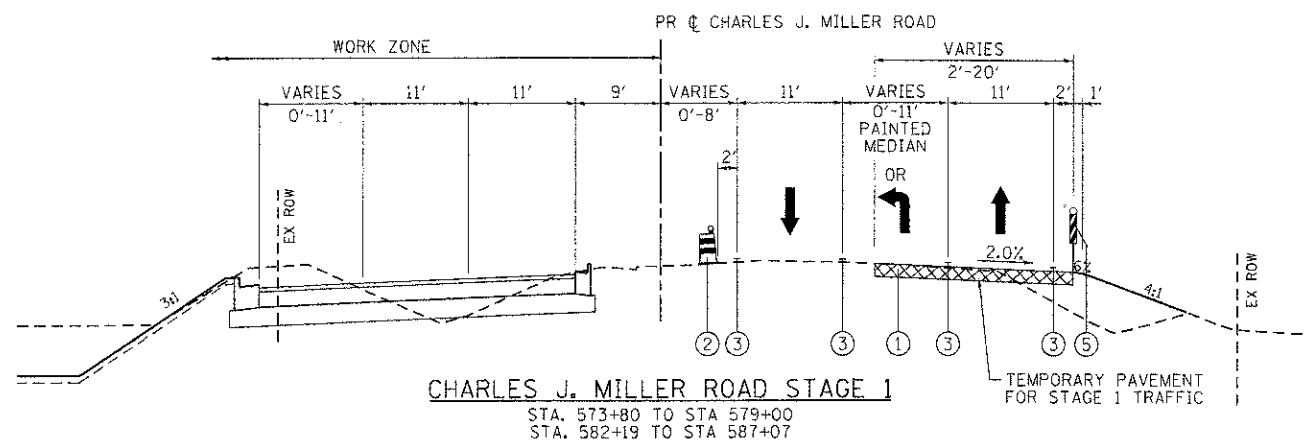


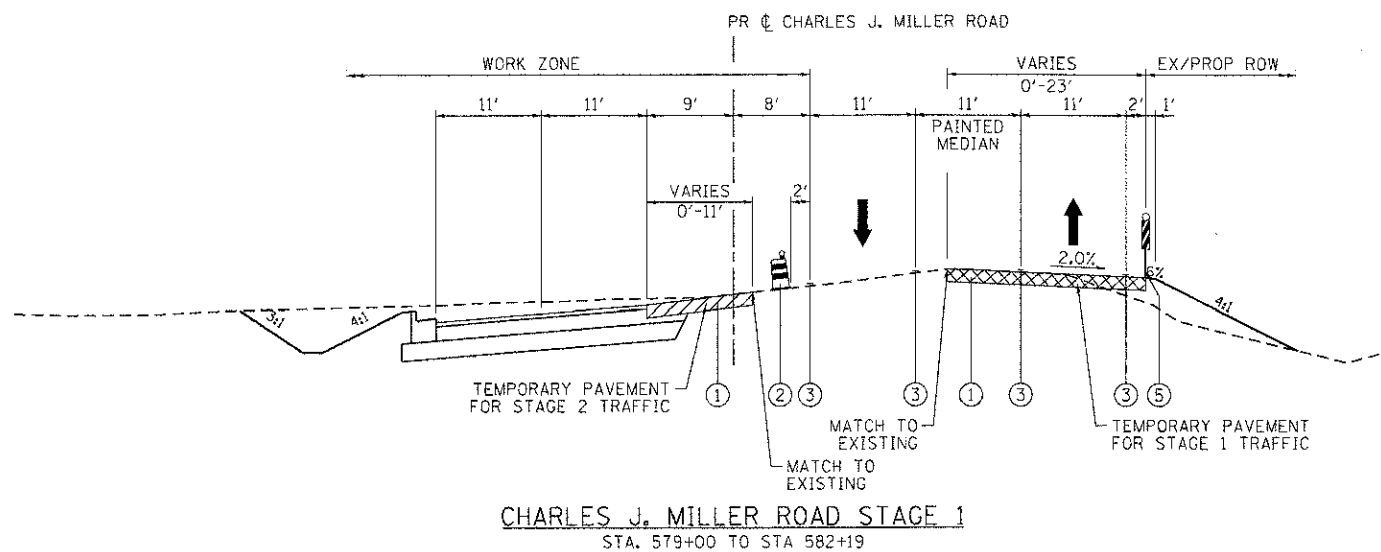
CHARLES J. MILLER ROAD STAGE 1
STA. 567+00 TO STA 571+00



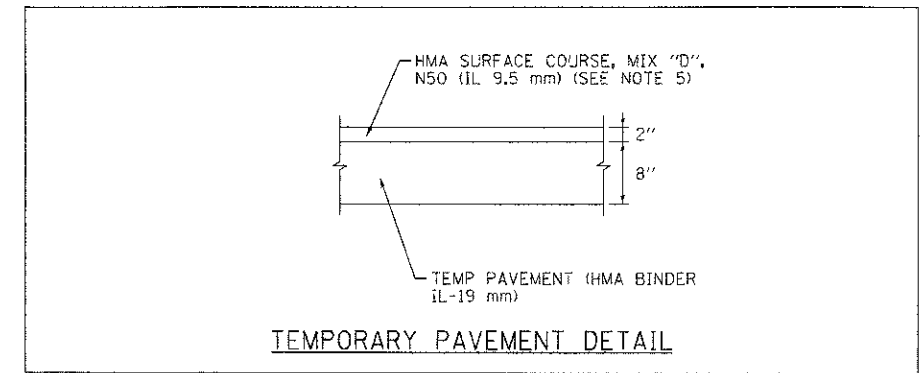
CHARLES J. MILLER ROAD STAGE 1
STA. 571+00 TO STA 573+80



CHARLES J. MILLER ROAD STAGE 1
STA. 573+80 TO STA 579+00
STA. 582+19 TO STA 587+07



CHARLES J. MILLER ROAD STAGE 1
STA. 579+00 TO STA 582+19



TEMPORARY PAVEMENT DETAIL

- LEGEND:**
- ① TEMPORARY PAVEMENT, 10" (SEE NOTE 2)
 - ② TYPE II BARRICADES OR DRUMS WITH STEADY BURNING LIGHTS @ 50 FT CENTERS ALONG ROADWAY TANGENTS, 25 FT CENTERS ALONG TAPERS, AND 12 FT CENTERS ALONG RADII
 - ③ PAVEMENT MARKING TAPE, TYPE III; TEMPORARY PAVEMENT MARKING (SEE NOTE 1)
 - ④ EXISTING PAVEMENT MARKING
 - ⑤ VERTICAL PANELS WITH STEADY BURNING LIGHTS (50 FT CENTERS)
 - ➔ DIRECTION OF TRAFFIC

MAINTENANCE OF TRAFFIC NOTES:

1. SEE MAINTENANCE OF TRAFFIC PLAN SHEETS FOR LOCATIONS AND TYPE OF TEMPORARY PAVEMENT MARKING.
2. SEE MAINTENANCE OF TRAFFIC PLAN SHEETS FOR TEMPORARY PAVEMENT CONSTRUCTION STAGING.

COMPANY NAME: HRGreen.com
 PROJECT CONTACT: 81015 Professional Design Firm
 CLIENT: #184-001532
 DATE PLOTTED: 7/23/2012 11:25:55 AM
 FILE NAME: 090371-mctgn-04.dgn
 PLOT DRIVER: pdfplot
 PEN TABLE: c:\andor\trans.tbl



USER NAME = jattena	DESIGNED - JPA	REVISED -
FILE NAME = 090371-mctgn-04.dgn	DRAWN - SVJ	REVISED -
PLOT SCALE = N.T.S.	CHECKED - JLP	REVISED -
PLOT DATE = 7/23/2012	DATE - 7/23/12	REVISED -

**MCHENRY COUNTY
DIVISION OF TRANSPORTATION**

**SUGGESTED MAINTENANCE OF TRAFFIC - TYPICAL SECTIONS
CHARLES J. MILLER ROAD ROADWAY IMPROVEMENTS**

SCALE: N.T.S. SHEET NO. 2 OF 12 SHEETS STA. TO STA.

F.A.U. RTE.	SECTION	COUNTY	TOTAL SHEETS	SHEET NO.
3860	09-00372-00-PW	MCHENRY	252	24
FED. ROAD DIST. NO.			CONTRACT NO. 63633	
ILLINOIS FED. AID PROJECT				