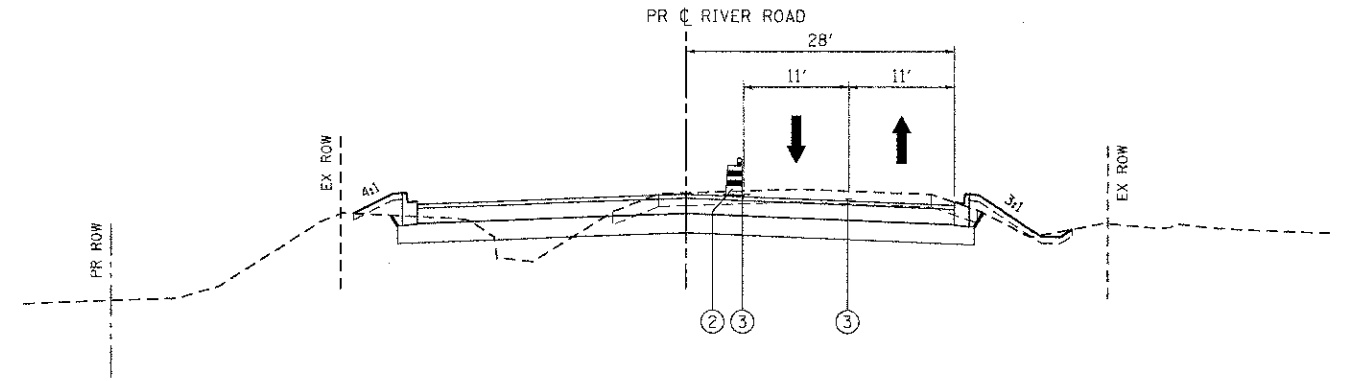
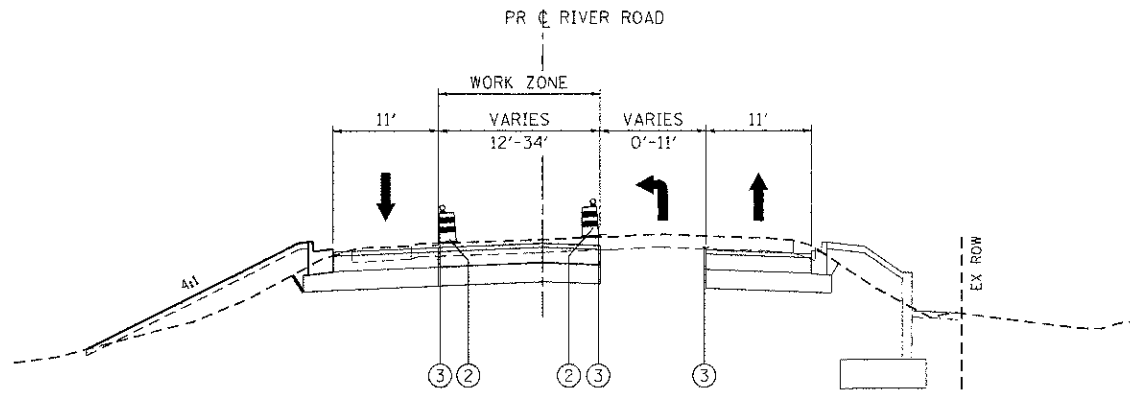


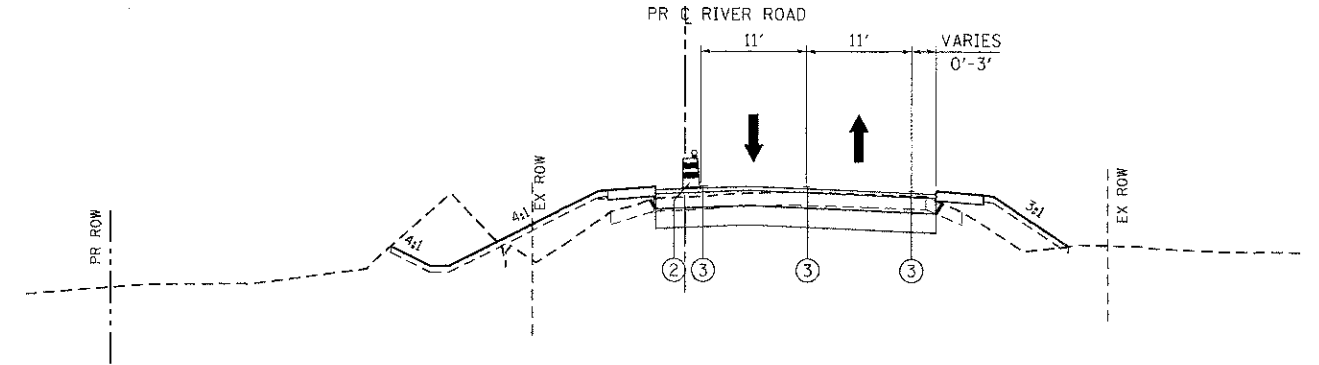
RIVER ROAD STAGE 2
STA. 19+40 TO STA 27+72



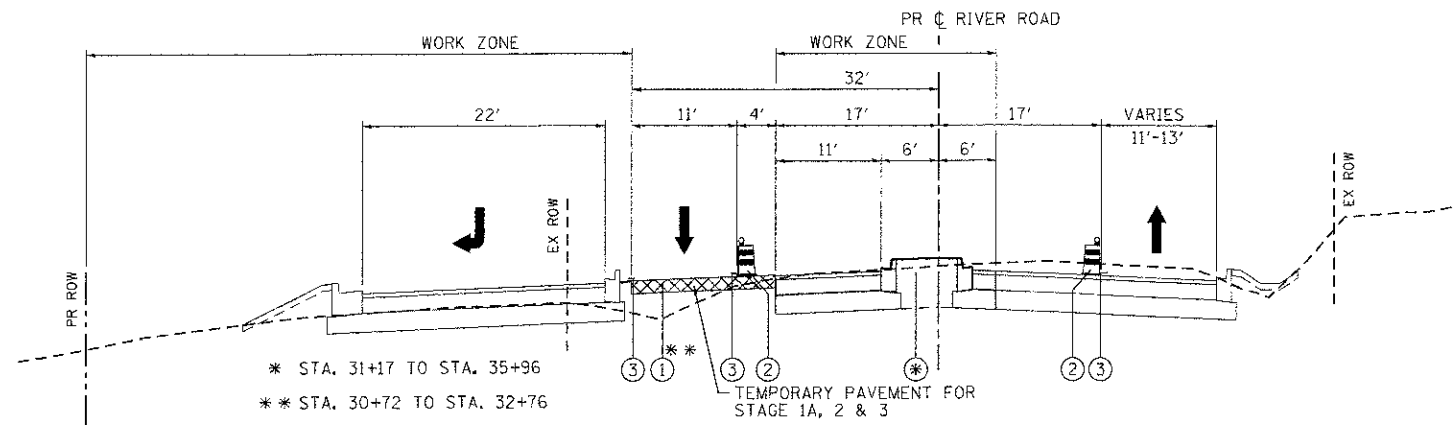
RIVER ROAD STAGE 2
STA. 39+59 TO STA 42+00



RIVER ROAD STAGE 2
STA. 27+72 TO STA 30+00



RIVER ROAD STAGE 2
STA. 42+00 TO STA 45+40



RIVER ROAD STAGE 2
STA. 30+00 TO STA 39+59

LEGEND:

- ① TEMPORARY PAVEMENT, 10" (SEE NOTE 2)
- ② TYPE II BARRICADES OR DRUMS WITH STEADY BURNING LIGHTS @ 50 FT CENTERS ALONG ROADWAY TANGENTS, 25 FT CENTERS ALONG TAPERS, AND 12 FT CENTERS ALONG RADII
- ③ PAVEMENT MARKING TAPE, TYPE III; TEMPORARY PAVEMENT MARKING (SEE NOTE 1)
- ④ EXISTING PAVEMENT MARKING
- ⑤ VERTICAL PANELS WITH STEADY BURNING LIGHTS (50 FT CENTERS)
- ➡ DIRECTION OF TRAFFIC

MAINTENANCE OF TRAFFIC NOTES:

1. SEE MAINTENANCE OF TRAFFIC PLAN SHEETS FOR LOCATIONS AND TYPE OF TEMPORARY PAVEMENT MARKING.
2. SEE MAINTENANCE OF TRAFFIC PLAN SHEETS FOR TEMPORARY PAVEMENT CONSTRUCTION STAGING.

COMPANY NAME: HRGreen
 PROJECT CONTACT: J. J. J. J.
 CLIENT: HRGreen
 DATE PLOTTED: 7/23/2012 11:35:55 AM
 FILE NAME: 090071-mo'op-22.dgn
 PLOT DRIVER: pct4.plt
 PEN TABLE: standard-trans.tbl



USER NAME = jattana	DESIGNED - JPA	REVISED -
FILE NAME = 090071-mo'op-23.dgn	DRAWN - SVJ	REVISED -
PLOT SCALE = N.T.S.	CHECKED - JLP	REVISED -
PLOT DATE = 7/23/2012	DATE = 7/23/12	REVISED -

**MCHENRY COUNTY
DIVISION OF TRANSPORTATION**

**SUGGESTED MAINTENANCE OF TRAFFIC - TYPICAL SECTIONS
CHARLES J. MILLER ROAD ROADWAY IMPROVEMENTS**

F.A.U. RTE.	SECTION	COUNTY	TOTAL SHEETS	SHEET NO.
3860	09-00372-00-PW	MCHENRY	252	32
CONTRACT NO. 63633			ILLINOIS FED. AID PROJECT	

SCALE: N.T.S. SHEET NO. 10 OF 12 SHEETS STA. TO STA.