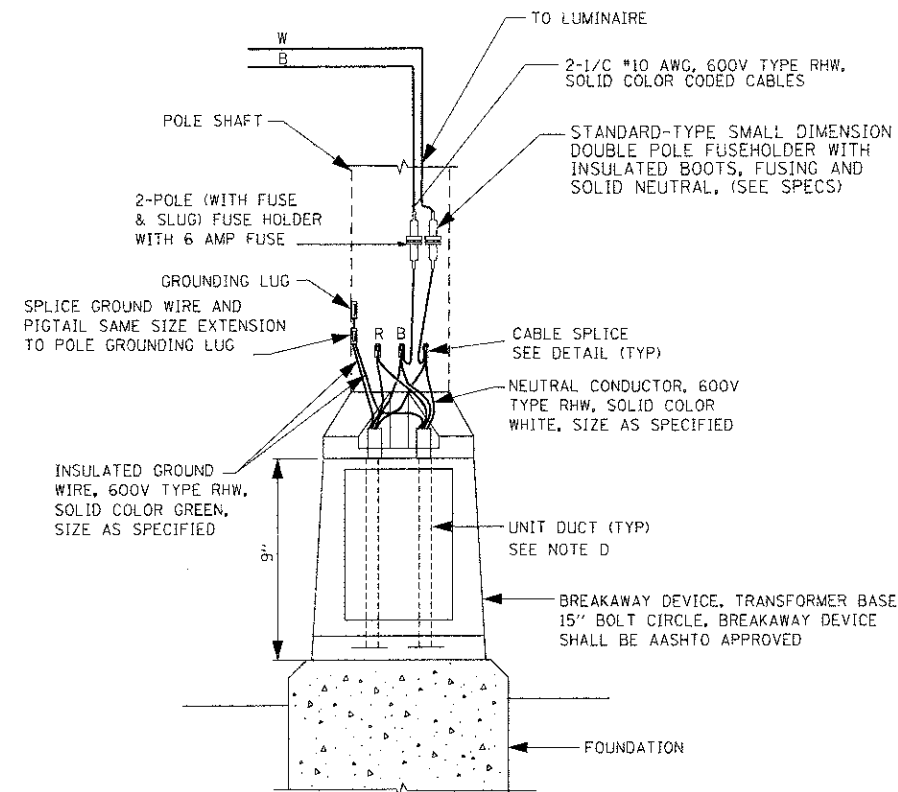
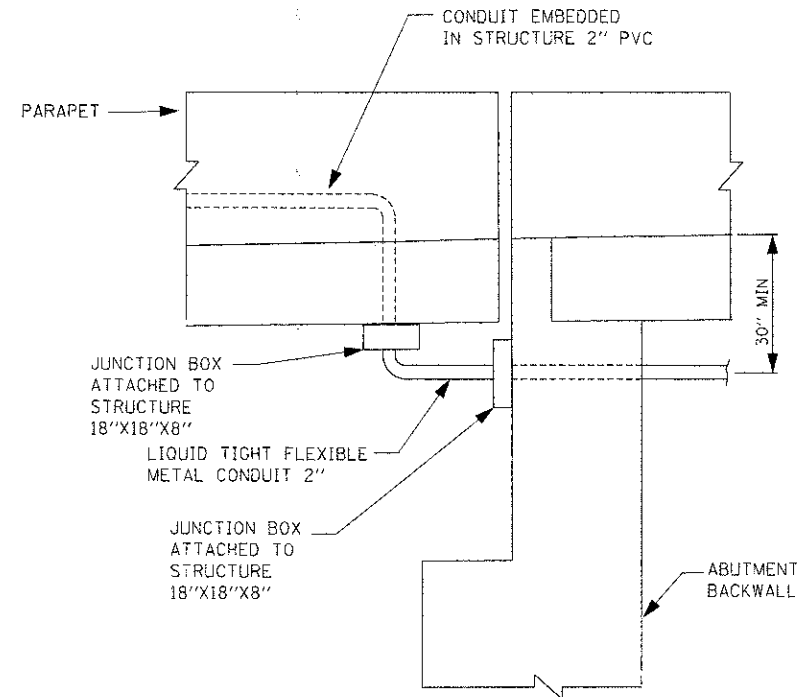


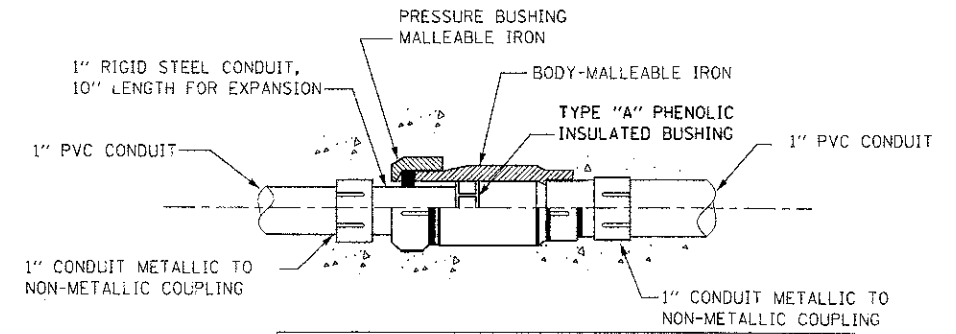
SPlicing DETAIL  
N.T.S.



POLE BASE WIRING DIAGRAM  
SINGLE MAST ARM  
N.T.S.

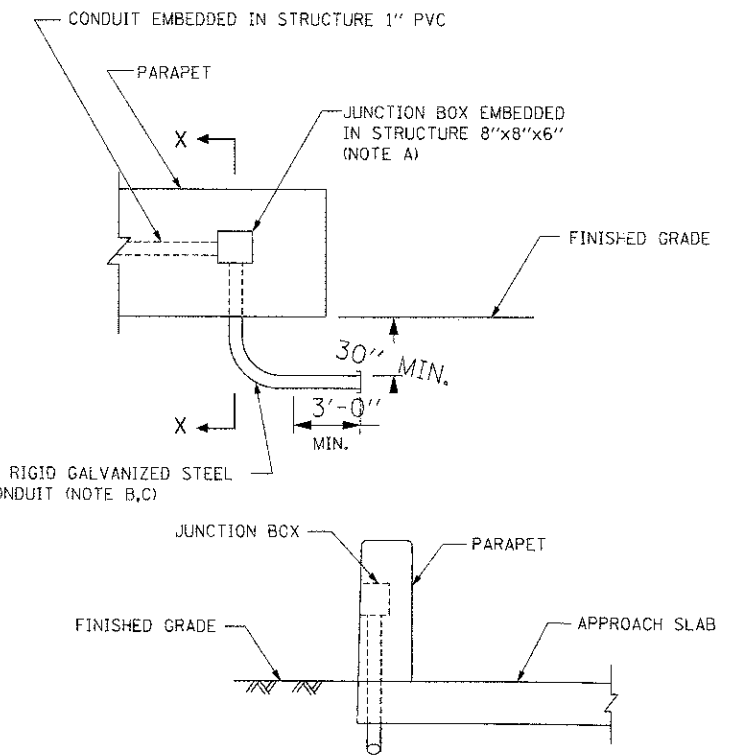


JUNCTION BOX ATTACHED TO STRUCTURE



NOTE:  
ALL CONDUIT FITTINGS, AND COUPLINGS SHALL BE INCLUDED IN THE COST OF CONCRETE SUPERSTRUCTURE

CONDUIT EXPANSION FITTING  
USE 0-2 GEDNEY AX-8-250,  
OR APPROVED EQUAL



SECTION X-X

JUNCTION BOX EMBEDDED IN STRUCTURE

NOTES:

- A. JUNCTION BOXES SHALL BE FURNISHED AND INSTALLED BY ELECTRICAL CONTRACTOR. COORDINATION IS REQUIRED WITH BRIDGE CONTRACTOR.
- B. CONDUIT EMBEDDED IN STRUCTURE SHALL BE FURNISHED AND INSTALLED BY THE BRIDGE CONTRACTOR. COORDINATION WITH THE ELECTRICAL CONTRACTOR IS REQUIRED. COORDINATE CONDUIT PLACEMENT TO TERMINATE OUTSIDE OF PAVEMENT.
- C. COST OF GALVANIZED STEEL RACEWAY SHALL BE INCLUDED WITH JUNCTION BOX EMBEDDED IN STRUCTURE.
- D. TRACER CABLE #14 IC SHALL BE INCLUDED IN THE UNIT DUCT AT NO ADDITIONAL COST. TRACER CABLE SHALL BE SPLICED IN POLES (WITH WIRE NUT) AND GROUNDED AT ENDS. TRACER WIRE SHALL BE CONNECTED TO POLE GROUND ONLY IN POLES AT END OF RUNS. IN REMAINING POLES, TRACER WIRE SHALL BE SPLICED AT UPPER HANDHOLE AND ROUTED THROUGH AND INTO LIGHTING CABINET UNGROUNDED.
- E. COST OF LIQUID TIGHT FLEXIBLE METAL CONDUIT AND ALL ITEMS REQUIRED TO ATTACH JUNCTION BOX TO STRUCTURE SHALL BE INCLUDED IN THE COST OF JUNCTION BOX ATTACHED TO STRUCTURE.

COMPANY NAME: AMES Engineering, Inc.  
PROJECT CONTRACT: 1341 Warren Avenue  
CLIENT: Downers Grove, IL 60515  
DATE PLOTTED: 7/23/2012 11:51:04 AM  
FILE NAME: 09071-Ltg-07.dgn  
PLOT DRIVER: pdf.plt  
PEN TABLE: standard.ctb

AMES Engineering, Inc.  
CONSULTING ENGINEERS  
1341 Warren Avenue  
Downers Grove, IL 60515  
(630) 737-1687 (F); (630) 470-8891 (H)  
www.amesengineering.com

USER NAME = jettana	DESIGNED - BL	REVISED -
FILE NAME = 09071-Ltg-07.dgn	DRAWN - RV/MSA	REVISED -
PLOT SCALE = N.T.S.	CHECKED - SA	REVISED -
PLOT DATE = 7/23/2012	DATE = 7/23/12	REVISED -

MCHENRY COUNTY  
DIVISION OF TRANSPORTATION

MISCELLANEOUS ELECTRICAL DETAILS  
CHARLES J. MILLER ROAD ROADWAY IMPROVEMENTS

SCALE: N.T.S. SHEET NO. 7 OF 9 SHEETS STA. TO STA.

F.A.U. RTE. 3860	SECTION 09-00372-00-PW	COUNTY MCHENRY	TOTAL SHEETS 252	SHEET NO. 121
FED. ROAD DIST. NO. ILLINOIS FED. AID PROJECT			CONTRACT NO. 63633	

LTC-07