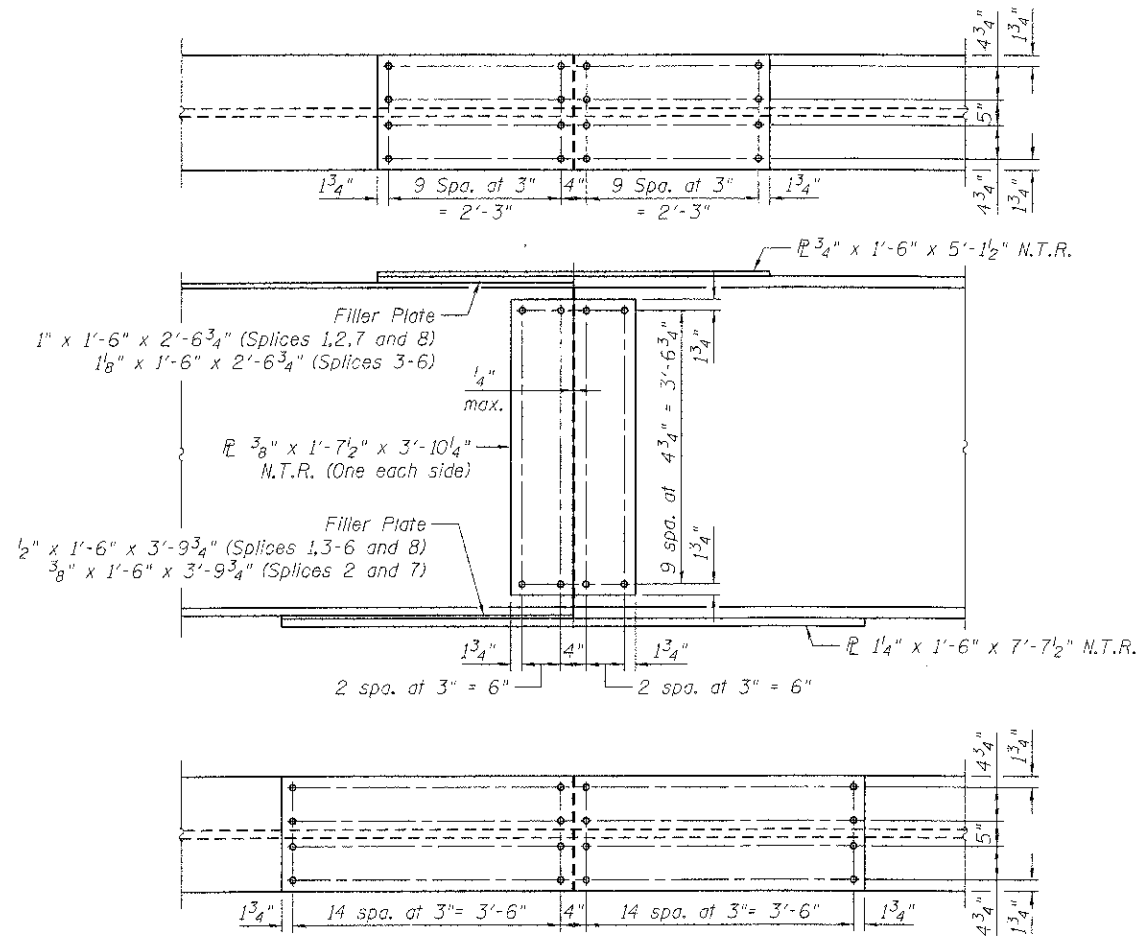
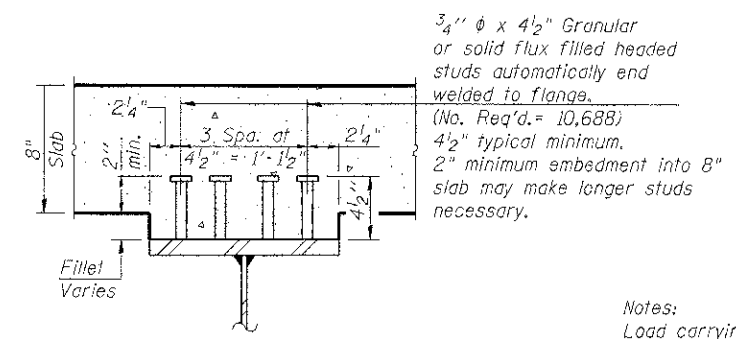


GIRDER HALF ELEVATION
 "NTR" denotes plates to which notch toughness requirements are applicable.



FIELD SPLICE DETAIL



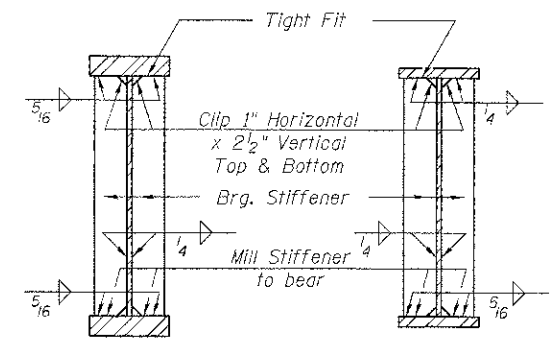
SECTION A-A

3/4" ϕ x 4 1/2" Granular or solid flux filled headed studs automatically end welded to flange.
 (No. Req'd. = 10,688)
 4 1/2" typical minimum.
 2" minimum embedment into 8" slab may make longer studs necessary.

Notes:
 Load carrying components designated "NTR" shall conform to the Supplemental Requirements for Notch Toughness, Zone 2.

Two 1/8" adjusting shims shall be provided for each bearing in addition to all other plates or shims and placed as shown on bearing details.

Cost of Surface Preparation and Painting shall be included in the Contract Unit Price for Furnishing and Erecting Structural Steel. The cost will not be paid for separately.



SECTION AT PIER

SECTION AT ABUTMENT

GIRDER DETAILS AND ELEVATION
 STRUCTURE NO. 056-3190

DESIGNED	SSM
CHECKED	RGD
DRAWN	WJH
CHECKED	RGD

HRGreen.com
 Illinois Professional Design Firm
 # 184-001322

WB CHARLES J. MILLER ROAD BRIDGE		DATE: 7/23/12	
SHEET NO. S-22	F.A.U. RTE. 3860	SECTION 09-00372-00-PW	COUNTY McHENRY
S-41 SHEETS	TOTAL SHEETS 252		SHEET NO. 145
CONTRACT NO. 63633			FED. ROAD DIST. NO. 1 [ILLINOIS] FED. AID PROJECT