

AT CONN. P. (CF1)

AT BEARING STIFFENER (CF2)

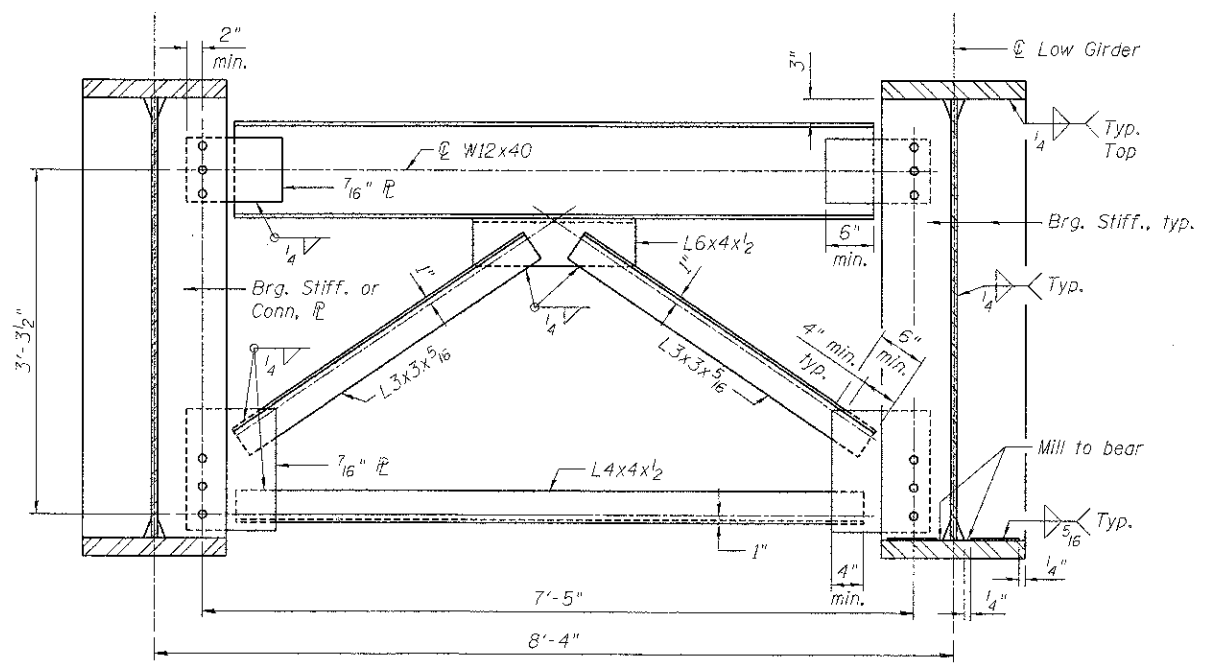
TYPICAL INTERIOR CROSS FRAME

Not to Scale
(CF1 - 59 Required)
(CF2 - 12 Required)

* Fillet weld angles along 3 sides on one face of gusset plate, typ. each end of each angle.

Notes: Detail 15/16" φ holes for all 3/4" bolts.

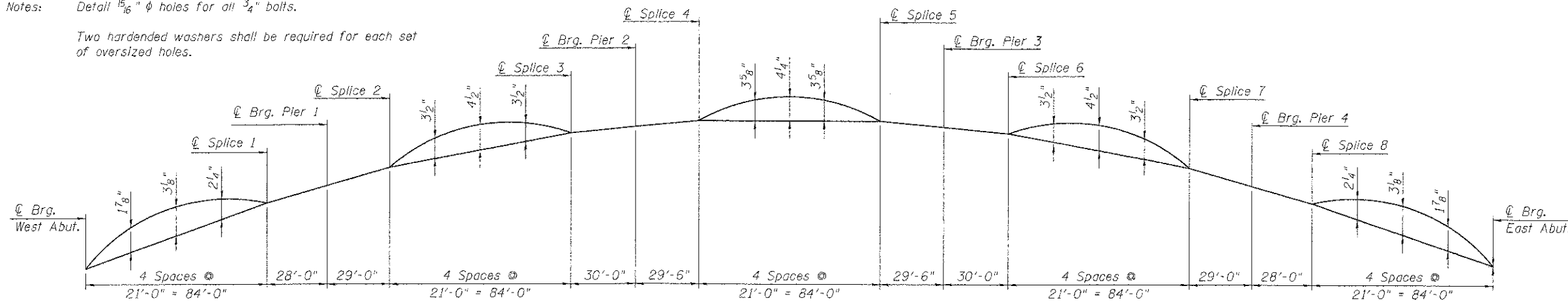
Two hardened washers shall be required for each set of oversized holes.



TYPICAL END CROSS FRAME - CF

(6 Required)

Notes: Detail 15/16" φ holes for all 3/4" bolts.
1 1/16" φ holes for all 7/8" φ bolts.
Two hardened washers shall be required for each set of oversized holes.



CAMBER DIAGRAM

| Girder | CL Brg. W. Abut. | CL Field Splice #1 | CL Brg. Pier 1 | CL Field Splice #2 | CL Field Splice #3 | CL Brg. Pier 2 | CL Field Splice #4 | CL Field Splice #5 | CL Brg. Pier 3 | CL Field Splice #6 | CL Field Splice #7 | CL Brg. Pier 4 | CL Field Splice #8 | CL Brg. E. Abut. |
|--------|------------------|--------------------|----------------|--------------------|--------------------|----------------|--------------------|--------------------|----------------|--------------------|--------------------|----------------|--------------------|------------------|
| A | 750.491 | 753.565 | 754.349 | 755.161 | 756.784 | 757.069 | 757.349 | 757.340 | 757.069 | 756.793 | 755.230 | 754.389 | 753.577 | 750.539 |
| B | 750.621 | 753.695 | 754.479 | 755.291 | 756.914 | 757.199 | 757.480 | 757.471 | 757.199 | 756.923 | 755.360 | 754.519 | 753.707 | 750.669 |
| C | 750.652 | 753.727 | 754.511 | 755.323 | 756.945 | 757.231 | 757.511 | 757.502 | 757.231 | 756.955 | 755.392 | 754.551 | 753.739 | 750.701 |
| D | 750.522 | 753.596 | 754.380 | 755.192 | 756.815 | 757.100 | 757.381 | 757.372 | 757.100 | 756.824 | 755.261 | 754.420 | 753.608 | 750.570 |

TOP OF WEB ELEVATIONS

(For Fabrication Only)

CAMBER DIAGRAM AND DIAPHRAM DETAILS
STRUCTURE NO. 056-3190

| | |
|----------|-----|
| DESIGNED | SSM |
| CHECKED | RGD |
| DRAWN | WJH |
| CHECKED | RGD |



HRGreen.com
Illinois Professional Design Firm
184-001322

WB CHARLES J. MILLER ROAD BRIDGE

DATE: 7/23/12

| | | | | | |
|----------------|--------------------|------------------------|----------------|---|---------------|
| SHEET NO. S-23 | F.A.U. RTE. 3860 | SECTION 09-00372-00-9W | COUNTY McHENRY | TOTAL SHEETS 252 | SHEET NO. 146 |
| S-41 SHEETS | CONTRACT NO. 63633 | | | FED. ROAD DIST. NO. 1 ILLINOIS FED. AID PROJECT | |

FILE NAME: 090707-dfca.dgn
PLOT DRIVER: jdfabf
PLOT TABLES: Standard Tables.tbl