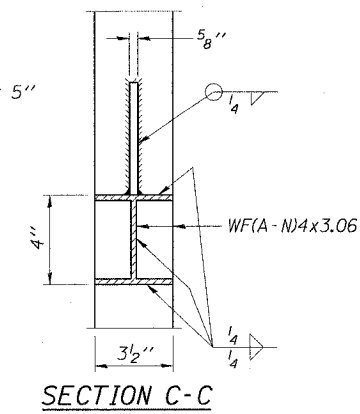
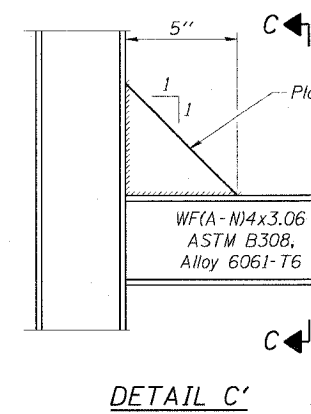
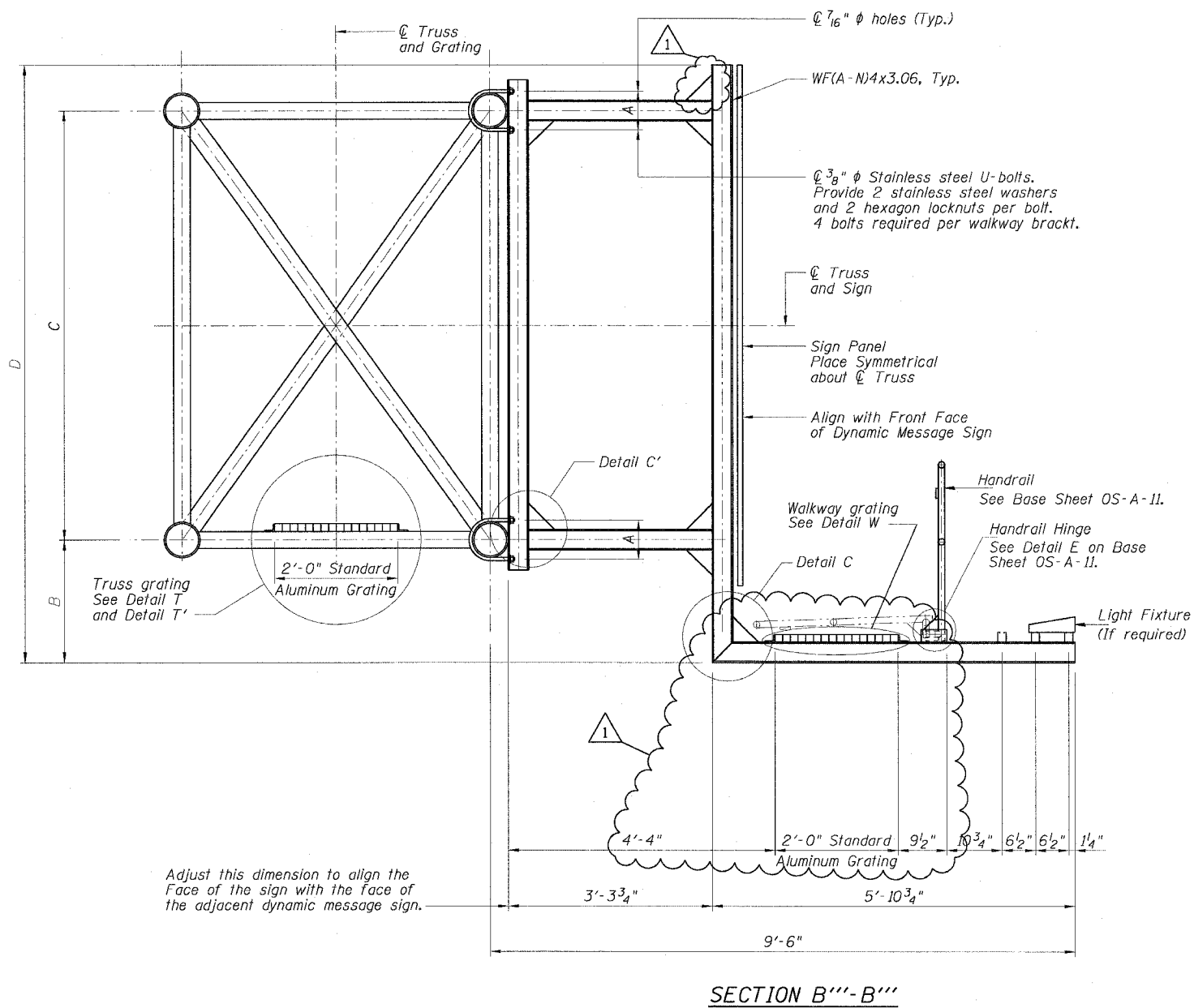


STATE OF ILLINOIS
DEPARTMENT OF TRANSPORTATION

ROUTE NO.	SECTION	COUNTY	TOTAL SHEETS	SHEET NO.
F.A.I. RTE. 90/94		COOK	312	154
FED. ROAD DIST. NO. 1	ILLINOIS	FED. AID PROJECT		

• (1919.15 & 2021-922 PT.1) R-1 60A62



Adjust this dimension to align the Face of the sign with the face of the adjacent dynamic message sign.

OSS-27

OVERHEAD SIGN STRUCTURES
ALTERNATE ALUMINUM WALKWAY DETAILS

DESIGNED - JSS	20
CHECKED - RDP	EXAMINED
DRAWN - JSS	PASSED
CHECKED - RDP	ENGINEER OF BRIDGES AND STRUCTURES

REVISIONS	
NAME	DATE
Addendum 1	7/27/06

F.A.I. 90/94 (DAN RYAN EXPRESSWAY)
63RD STREET TO GARFIELD BLVD (NB LOCAL LANES)
PROPOSED IMPROVEMENT
63RD STREET TO GARFIELD BLVD

MODIFIED BY CTE ENGINEERS, INC FROM OS-A-9-DMS2

7/28/2006 10:46:30 AM P:\40486\Civil\8-Chrs 18 & 19\Sign\Chtr 18ASign\SS1810272AS18