

STATE OF ILLINOIS
DEPARTMENT OF TRANSPORTATION

F.A.I. RTE.	SECTION	COUNTY	TOTAL SHEETS	SHEET NO.
90/94		COOK	312	238
STA. 6063+25.00 TO STA. 6069+25.00				
FED. ROAD DIST. NO. 1 ILLINOIS		FED. AID PROJECT		
60A62		• (1919.15, 2021-922 PT1 & PT2) R-1		

INDEX OF SHEETS:

- C-1 General Plan and Elevation
- C-2 General Plan and Elevation
- C-3 General Plan and Elevation
- C-4 Wall Sections and Details

TOTAL BILL OF MATERIAL		
Item	Unit	Quantity
Concrete Removal	Cu Yd	1
Porous Granular Embankment	Cu Yd	111
Temporary Soil Retention System	Sq Ft	649
Structure Excavation	Cu Yd	111
Concrete Structures	Cu Yd	1
Protective Coat	Sq Yd	13
Pipe Underdrains for Structures, 6"	Foot	8
Geocomposite Wall Drain	Sq Yd	28
Epoxy Crack Sealing	L.F.	299
Epoxy Mortar Repair	Cu Ft	15
Fabric Reinforced Elastomeric Mat	Sq Ft	63

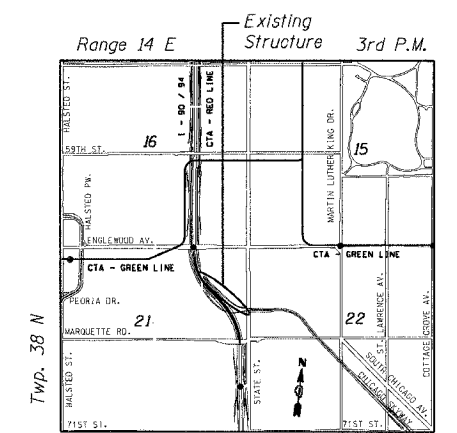
NOTES:

1. For General Notes see Sheet C-2.
2. For Legend see Sheet C-2.
3. For Abbreviations see Sheet C-2.
4. For Sections A-A, B-B and C-C, see Sheet C-4.

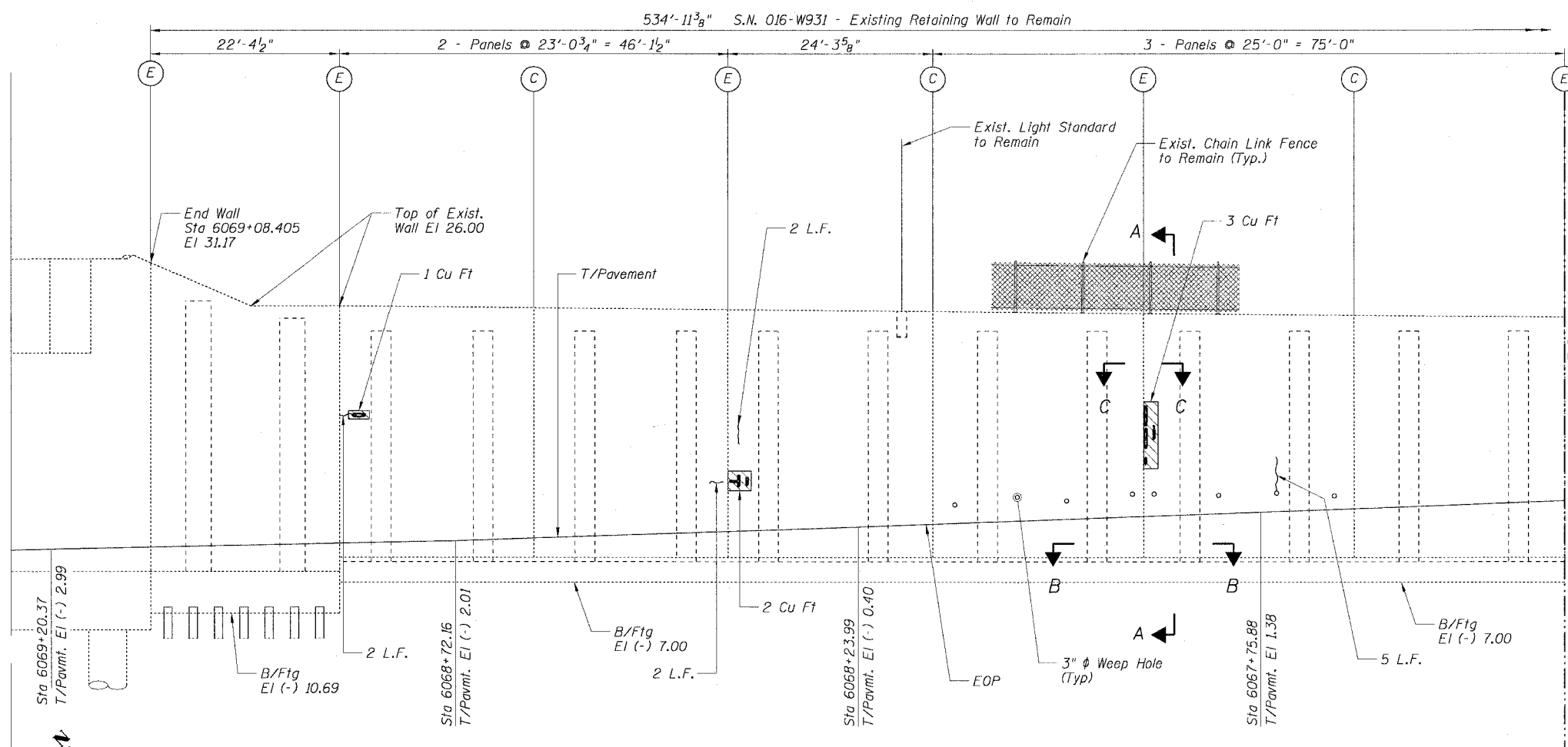
LEGEND:

- (C) - Construction Joint
 - (E) - Expansion Joint
 - [Hatched] - Concrete Removal & Replacement
 - [Diagonal Lines] - Epoxy Mortar Repair
 - [Dashed] - Epoxy Crack Sealing
 - [Cross-hatched] - Existing Chain Link Fence
 - [Grid] - Structural Excavation
 - [Stippled] - Porous Granular Embankment
 - [Solid Black] - New Catch Basin
- ABBREVIATIONS:
- B Bottom
 - BF Back Face
 - EF Each Face
 - EI Elevation
 - FF Front Face
 - Ftg Footing
 - Cu Ft Cubic Feet
 - Cu Yd Cubic Yards
 - L.F. Linear Feet
 - Sq Yd Square Yards
 - Sta Station
 - CP Corner Post
 - LP Line Post
 - EP End Post
 - UN Unless Noted

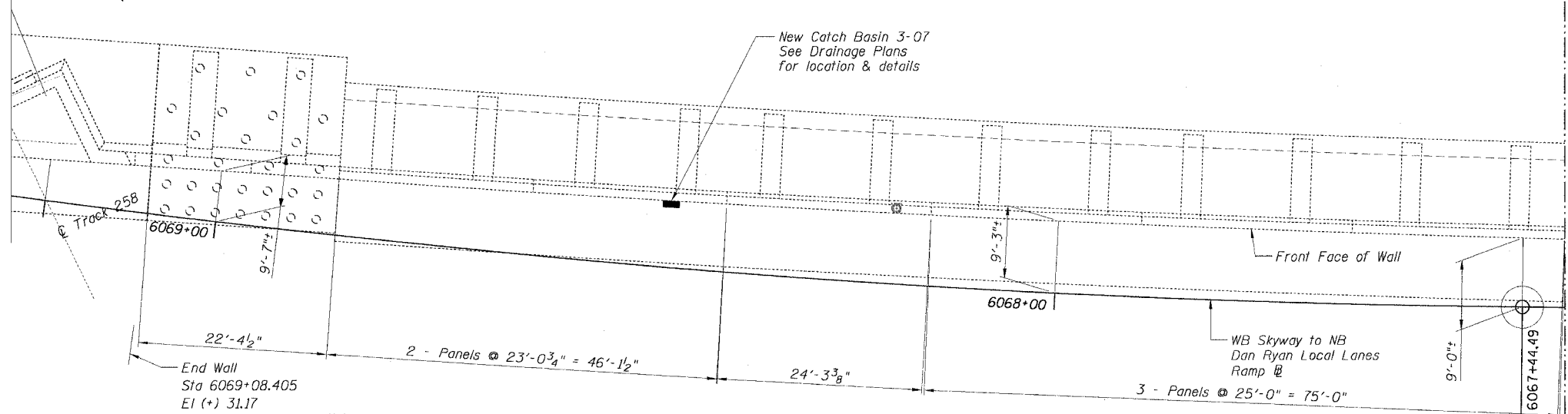
MATCH LINE SEE SHEET C-2 OF 4



LOCATION SKETCH
Sheet C-1 OF 4



FRONT FACE ELEVATION (Developed)
(Looking Northeast)



PLAN

Note:
Dimensions on Plan are along the front face of wall.



Rev. 9-11-06

REVISIONS	
NAME	DATE

ILLINOIS DEPARTMENT OF TRANSPORTATION
F.A.I. 90/94 (DAN RYAN EXPRESSWAY)
63RD STREET TO GARFIELD BLVD (NB LOCAL LANES)

GENERAL PLAN AND ELEVATION
ENTRANCE RAMP FROM SKYWAY RETAINING WALL
65th STREET TO R.I.R.R.

SCALE: None
DATE: June 9, 2006

DRAWN BY: DAS
CHECKED BY: MJP

6/27/2006 11:28:31 AM