

F.A.I. SECTION	COUNTY	TOTAL SHEETS	SHEET NO.
90/94	COOK	312	13
STA. TO STA.		FED. ROAD DIST. NO. 1 ILLINOIS FED. AID PROJECT	
60A62		(919.15, 2021-922 PT1 & PT2) R-1	

SUMMARY OF QUANTITIES

				90% FEDERAL / 10% STATE													
CODE NO.	ITEM	UNIT	QUANTITY	URBAN ROADWAY		RETAINING WALL		BRIDGE		SIGNING	SAFETY	LIGHTING	SURVEILLANCE	C/OOT LIGHTING			
				016-W923	016-W931	STR NO 016-0142	STR NO 016-1148	Y002-1C	SFTY-3N						Y030-1E	Y032-1F	Y030-1E
				J000	Y007	Y007	SFTY-2A										
• Z0030250	IMPACT ATTENUATORS, TEMPORARY (NON-REDIRECTIVE), TEST LEVEL 3	EACH	4								4						
• Z0030350	IMPACT ATTENUATORS, RELOCATE (NON-REDIRECTIVE), TEST LEVEL 3	EACH	1								1						
• Z0040530	PIPE UNDERDRAIN REMOVAL	FOOT	1,017	1,017													
• Z0048665	RAILROAD PROTECTIVE LIABILITY INSURANCE	L SUM	1	1													
• Z0076600	TRAINEES	HOUR	1500	1500													
• X0325499	AERIAL CABLE, 2 1/C NO. 4	FOOT	150											150			
• X0325491	CONDUIT EMBEDDED IN STRUCTURE, 2" DIA., SCH. 80 PVC	FOOT	653											653			
• X0325492	CONVENTIONAL STREET LIGHTING UNIT WALL MOUNTED, INSTALL ONLY	EACH	8											8			
• X0325494	GALVANIZED STEEL CONDUIT IN TRENCH, 2" DIA., SCH. 40	FOOT	25											25			
• B0700110	GROUND ROD, 3/4" DIA. X 10 FT.	EACH	8											8			
• X0325500	JUNCTION BOX, STAINLESS STEEL, EMBEDDED IN STRUCTURE, TYPE J	EACH	2										2				
• X0324223	MAINTAIN EXISTING LIGHTING SYSTEM	L SUM	1											1			
• X0945500	PAINT EXISTING POLE COMPLETE	EACH	8											8			
• X0325495	REMOVE EXISTING STREET LIGHTING UNIT AND SALVAGE	EACH	9											9			
• X0324901	REMOVE EXISTING STREET LIGHTING FOUNDATION	EACH	9											9			
• X0325496	TRENCH AND BACKFILL WITH SCREENINGS AND/OR SAND	FOOT	25											25			
• X0325493	CABLE IN CONDUIT, <sup>TRIPLEX,</sup> 2-1/C NO. 6 AND 1-1/C NO. 8 GND.	FOOT	840											840			
• X0325501	FABRIC REINFORCED ELASTOMERIC MAT	SQ FT	63			63											
• X0325303	STRUCTURAL REPAIR OF CONCRETE (DEPTH GREATER THAN 5")	SQ FT	15											15			
• X0325305	STRUCTURAL REPAIR OF CONCRETE (DEPTH EQUAL TO OR LESS THAN 5")	SQ FT	993					458	535								
• X0325498	DUCTILE IRON PIPE	FOOT	143	143													
• X0325502	MEDIAN BARRIER GATE SYSTEM	EACH	1	1													
• X0325503	REMOVAL OF EXISTING TEMPORARY SOIL RETENTION SYSTEM	FOOT	926	926													
• 66900200	NON-SPECIAL WASTE DISPOSAL	CU YD	4,500	4,500													
• 66900450	SPECIAL WASTE PLANS AND REPORTS	L SUM	1	1													
• 66900530	SOIL DISPOSAL ANALYSIS	EACH	2	2													

0 Y080



Rev. 9-11-06  
Rev. 8-21-06

S00-7

REVISIONS	
NAME	DATE

ILLINOIS DEPARTMENT OF TRANSPORTATION  
F.A.I. 90/94 (DAN RYAN EXPRESSWAY)  
63RD STREET TO GARFIELD BLVD (NB LOCAL LANES)

SUMMARY OF QUANTITIES

SCALE: NONE DRAWN BY: NJH  
DATE: June 9, 2006 CHECKED BY: RMG

\* DENOTES SPECIALTY ITEMS

9:38:43 AM 6/9/2006

STATE OF ILLINOIS  
DEPARTMENT OF TRANSPORTATION

F.A.I. RTE.	SECTION	COUNTY	TOTAL SHEETS	SHEET NO.
90/94	*	COOK	312	238
STA. 6063+25.00 TO STA. 6069+25.00				
FED. ROAD DIST. NO. 1 ILLINOIS FED. AID PROJECT				
60A62 • (1919.15, 2021-922 PT1 & PT2) R-1				

INDEX OF SHEETS:

- C-1 General Plan and Elevation
- C-2 General Plan and Elevation
- C-3 General Plan and Elevation
- C-4 Wall Sections and Details

TOTAL BILL OF MATERIAL

Item	Unit	Quantity
Concrete Removal	Cu Yd	1
Porous Granular Embankment	Cu Yd	111
Temporary Soil Retention System	Sq Ft	649
Structure Excavation	Cu Yd	111
Concrete Structures	Cu Yd	1
Protective Coat	Sq Yd	13
Pipe Underdrains for Structures, 6"	Foot	8
Geocomposite Wall Drain	Sq Yd	28
Epoxy Crack Sealing	L.F.	299
Epoxy Mortar Repair	Cu Ft	15
Fabric Reinforced Elastomeric Mat	Sq Ft	63

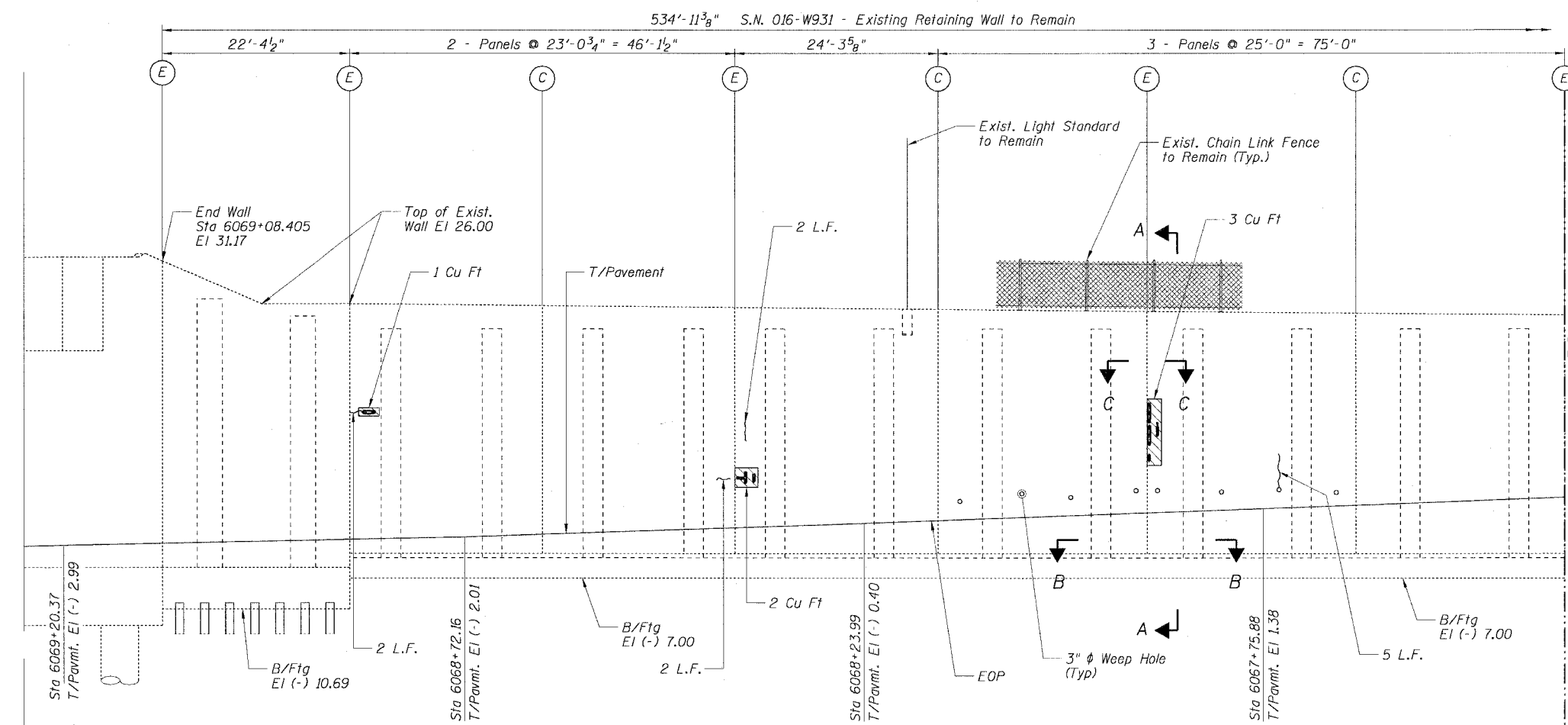
NOTES:

1. For General Notes see Sheet C-2.
2. For Legend see Sheet C-2.
3. For Abbreviations see Sheet C-2.
4. For Sections A-A, B-B and C-C, see Sheet C-4.

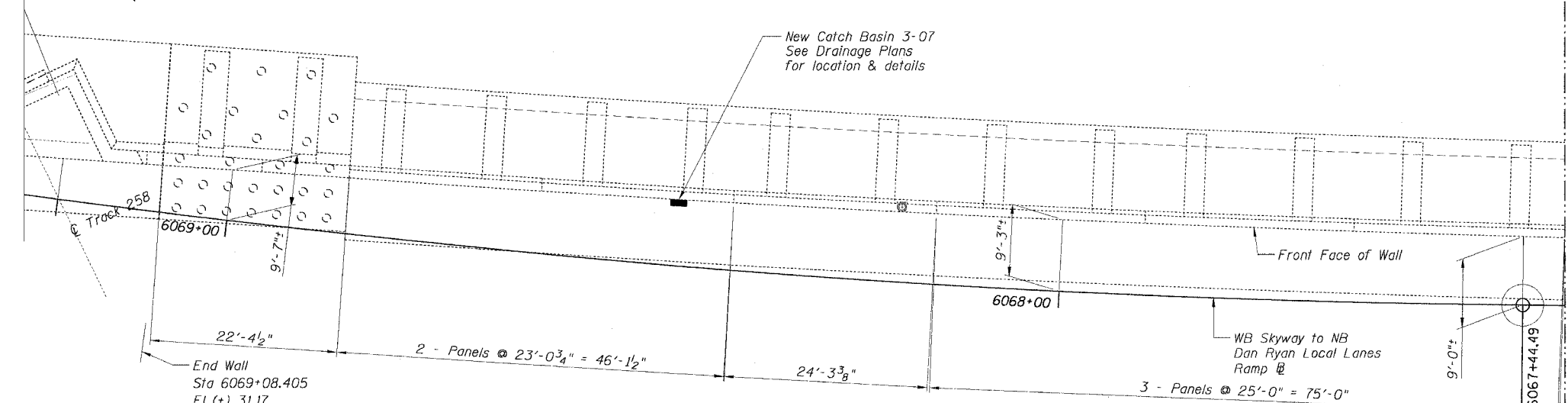
LEGEND:

- (C) - Construction Joint
  - (E) - Expansion Joint
  - [Hatched] - Concrete Removal & Replacement
  - [Cross-hatched] - Epoxy Mortar Repair
  - [Dashed] - Epoxy Crack Sealing
  - [Diagonal Lines] - Existing Chain Link Fence
  - [Grid Pattern] - Structural Excavation
  - [Stippled] - Porous Granular Embankment
  - [Solid Black] - New Catch Basin
- ABBREVIATIONS:**
- B Bottom
  - BF Back Face
  - EF Each Face
  - EI Elevation
  - FF Front Face
  - Ftg Footing
  - Cu Ft Cubic Feet
  - Cu Yd Cubic Yards
  - L.F. Linear Feet
  - Sq Yd Square Yards
  - Sta Station
  - CP Corner Post
  - LP Line Post
  - EP End Post
  - UN Unless Noted

MATCH LINE SEE SHEET C-2 OF 4



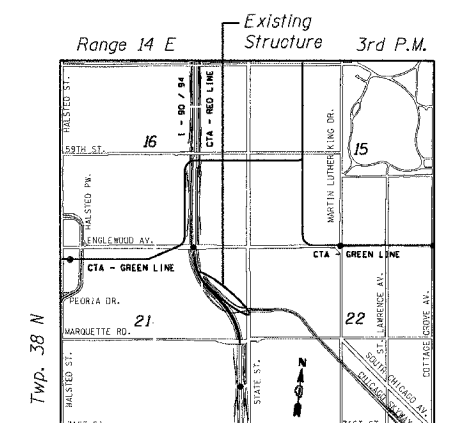
FRONT FACE ELEVATION (Developed)  
(Looking Northeast)



PLAN

Note:  
Dimensions on Plan are along the front face of wall.

CTE | AECOM



LOCATION SKETCH  
Sheet C-1 OF 4

REVISIONS	NAME	DATE

ILLINOIS DEPARTMENT OF TRANSPORTATION  
F.A.I. 90/94 (DAN RYAN EXPRESSWAY)  
63RD STREET TO GARFIELD BLVD (NB LOCAL LANES)  
  
GENERAL PLAN AND ELEVATION  
ENTRANCE RAMP FROM SKYWAY RETAINING WALL  
65th STREET TO R.I.R.R.  
  
SCALE: None  
DATE: June 9, 2006  
  
DRAWN BY: DAS  
CHECKED BY: MJP

Rev. 9-11-06