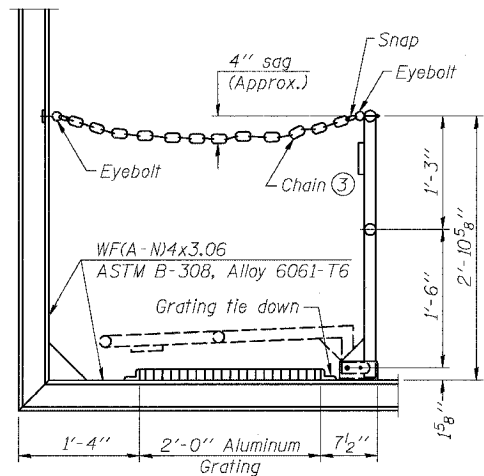


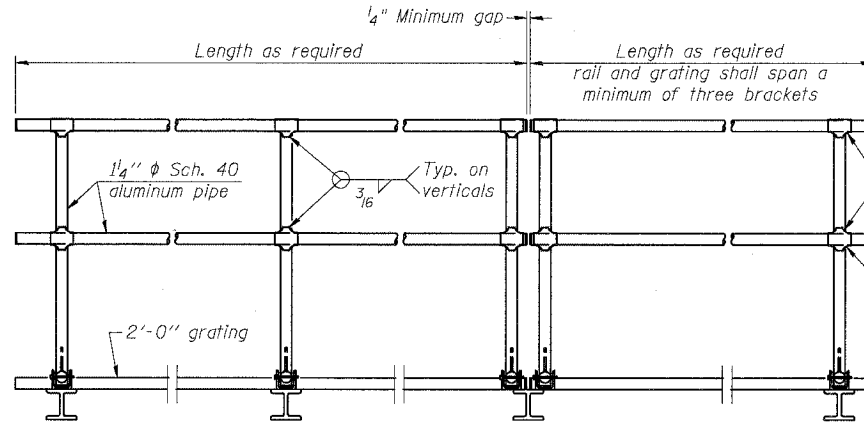
STATE OF ILLINOIS  
DEPARTMENT OF TRANSPORTATION

ROUTE NO.	SECTION	COUNTY	TOTAL SHEETS	SHEET NO.
94/90	*	COOK	588	295
FED. ROAD DIST. NO. 1		ILLINOIS	FED. AID PROJECT-	
* 62303 (2021-922 PT2 ETC 23246-1P) R-11				



**SIDE ELEVATION**

(Showing Safety Chain W/O Sign)



**FRONT ELEVATION**

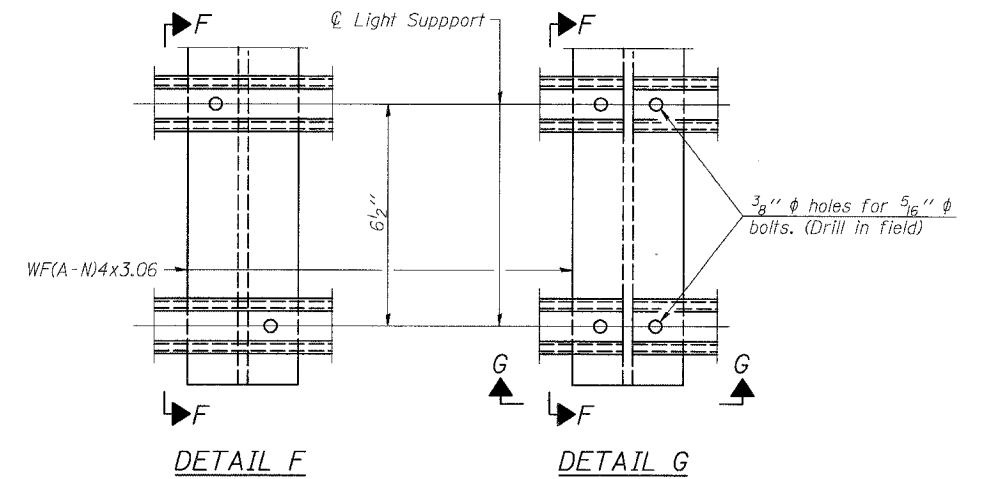
**HANDRAIL DETAILS**

Handrail pipe shall be ASTM B241, Alloy 6063-T6 or Alloy 6061-T6.

① Install standard force-fit end caps or weld 1/8" end plates with 1/8" c.f.w. and grind smooth. (All rail ends)

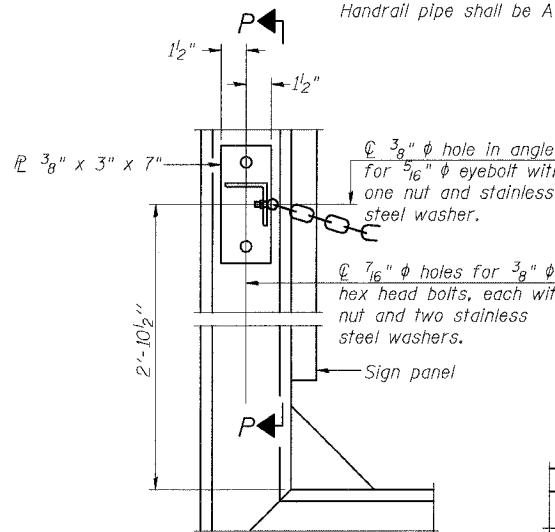
Fittings-ASTM B26, Alloy 356-T7

② Horizontal handrail member shall be continuous thru fitting. Provide 1/16" hole in fitting for 3/8" bolt. Field drill 1/16" hole in horizontal rail member. Provide locknut and two stainless steel washers for bolt. (Use 5/16" eyebolts in 7/16" holes on top rail at ends only.)



**DETAIL F**

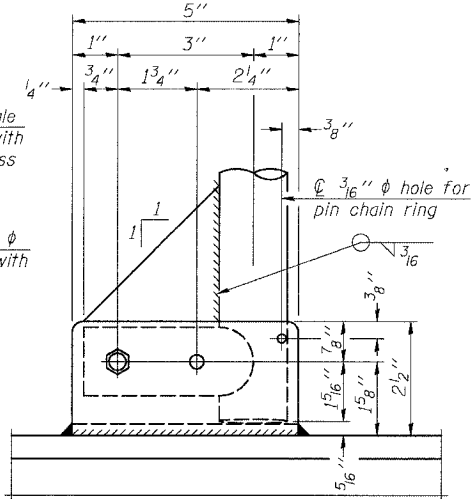
**DETAIL G**



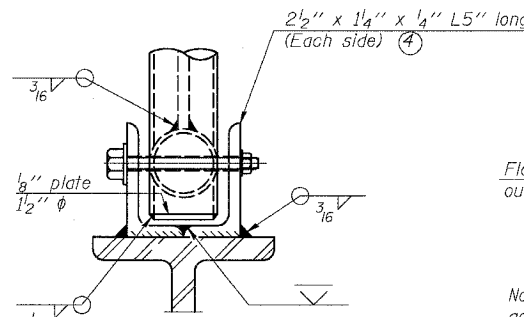
**ALTERNATE SAFETY CHAIN ATTACHMENT**

(With Sign Present)

Items not shown same as "Side Elevation" of "Handrail Details"

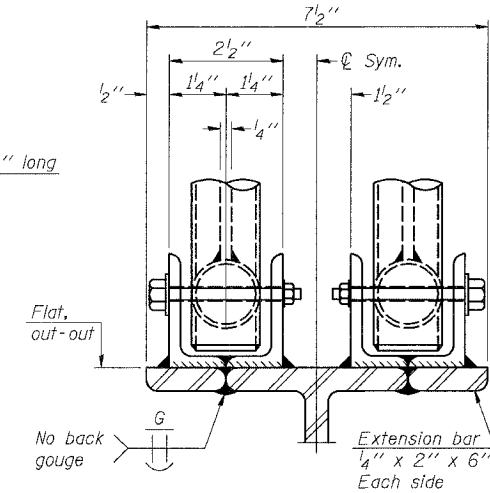


**SIDE ELEVATION**



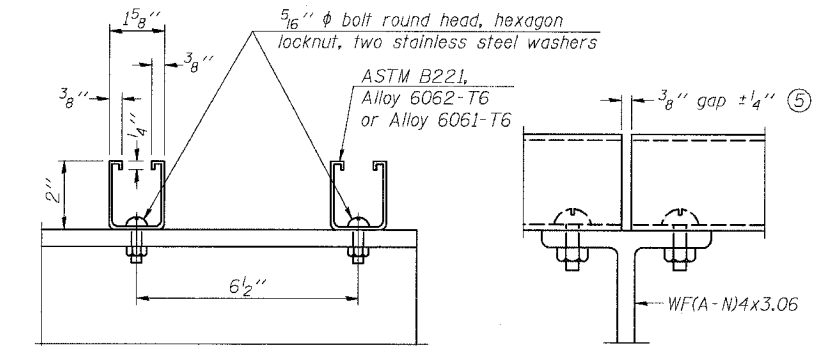
**FRONT ELEVATION**

Details not shown same as "ELEVATION" at right.



**ELEVATION AT HANDRAIL JOINT**

Details not shown same as "FRONT ELEVATION"

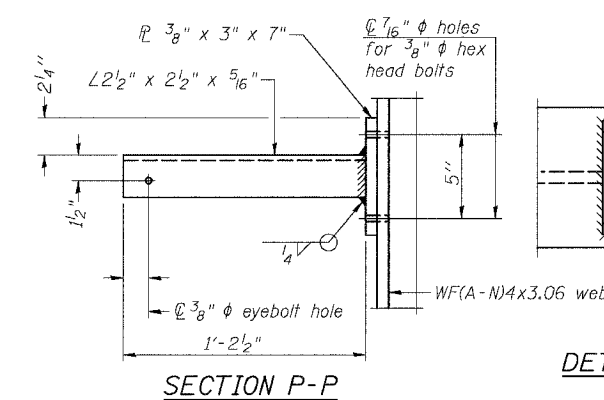


**SECTION F-F**

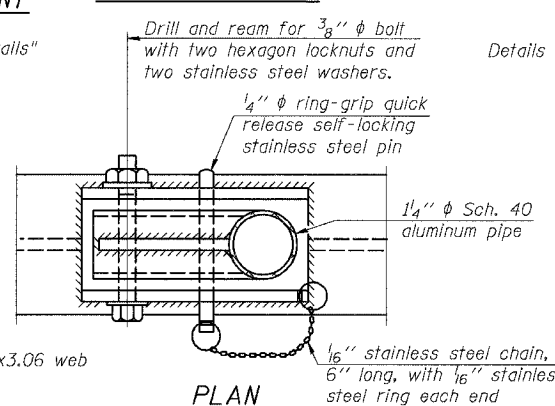
**SECTION G-G**

**LIGHTING FIXTURE MOUNTS (IF REQUIRED)**

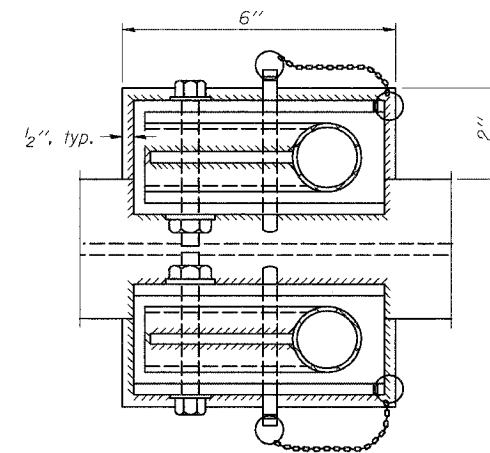
⑤ Field cut ends of light support channels shall be free of burrs or hazardous projections and coated with zinc-rich primer or equivalent.



**SECTION P-P**

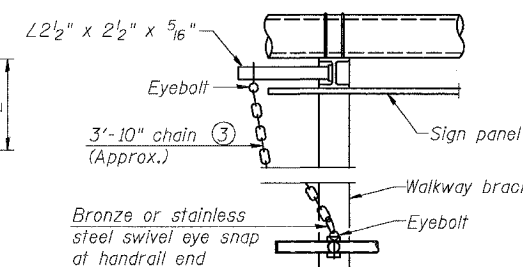


**PLAN**  
**DETAIL E HANDRAIL HINGE**



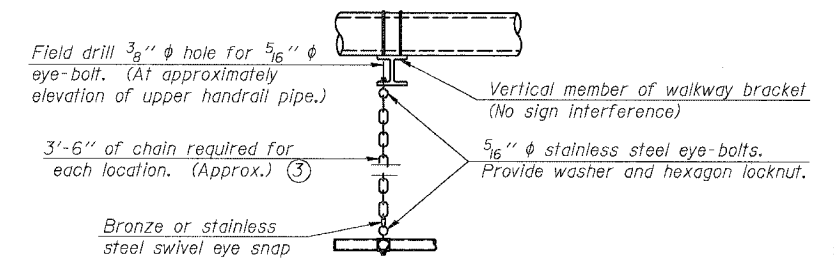
**PLAN AT HANDRAIL JOINT**

Details not shown same as "PLAN"



**ALTERNATE SAFETY CHAIN ATTACHMENT**

Details not shown similar to "Safety Chain" Details (Walkway omitted for clarity)



**SAFETY CHAIN**

One required for each end of each walkway.

DESIGNED	MSA	20
CHECKED	AS	EXAMINED
DRAWN	RV	PASSED
CHECKED	MSA	ENGINEER OF STRUCTURAL SERVICES
		ENGINEER OF BRIDGES AND STRUCTURES

OSC-A-8

1-7-05

NUMBER	REVISION	DATE

CANTILEVER SIGN STRUCTURES  
HANDRAIL DETAILS  
ALUMINUM TRUSS & STEEL POST  
ILLINOIS DEPARTMENT OF TRANSPORTATION  
F.A.I. 94/90 (DAN RYAN EXPRESSWAY)  
GARFIELD BLVD TO 31st STREET (SB LOCAL LANES)  
OVERHEAD SIGN STRUCTURES  
(CANTILEVER)

SGN-45