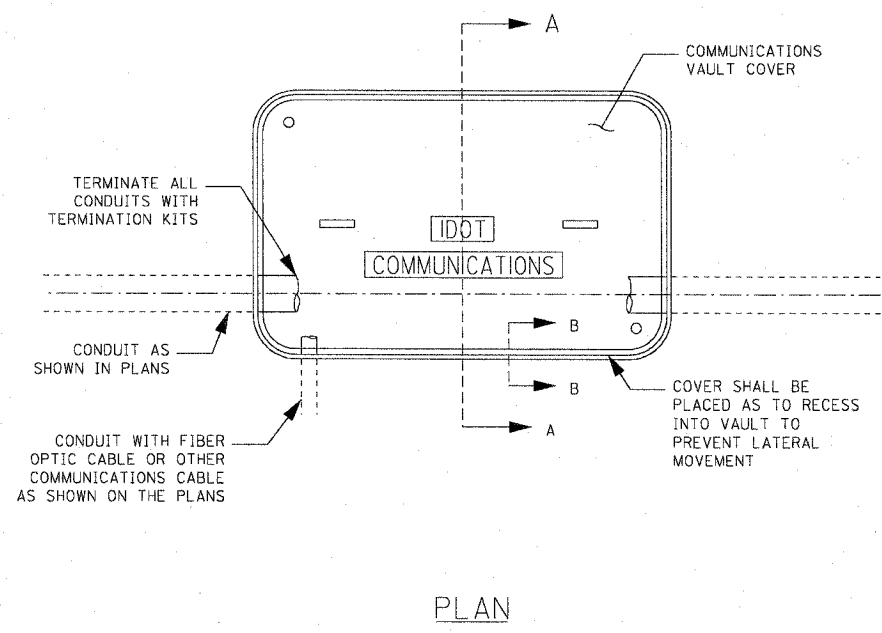
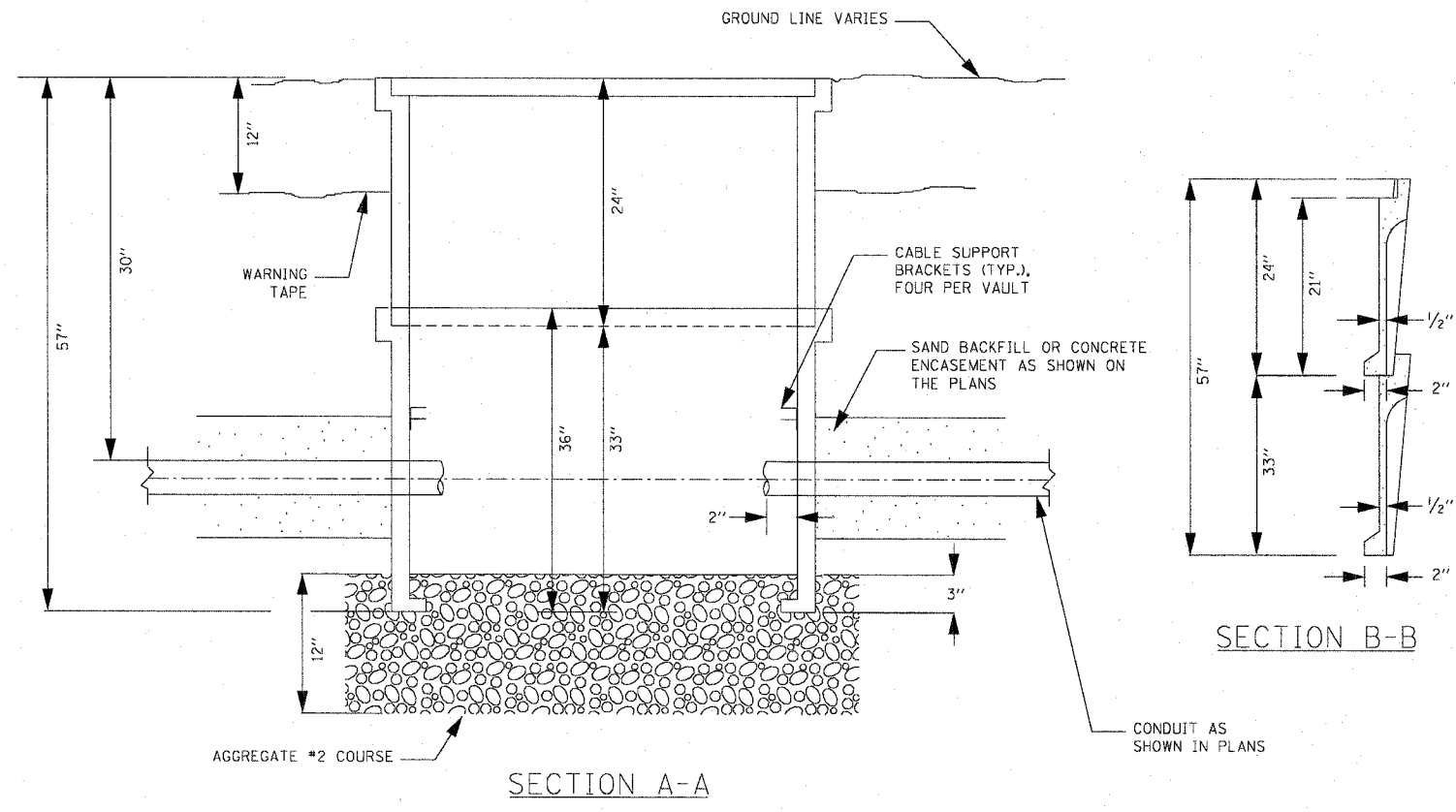
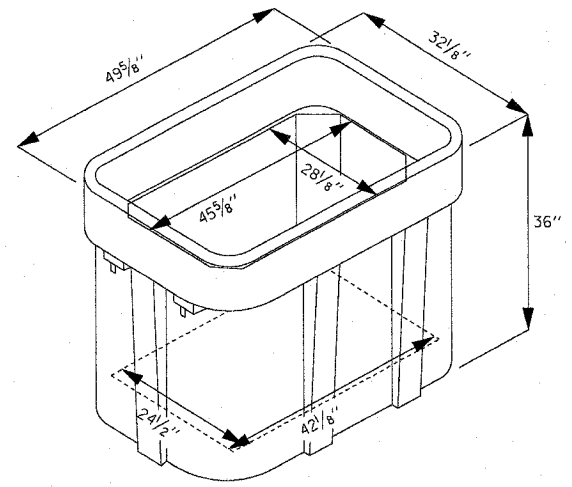
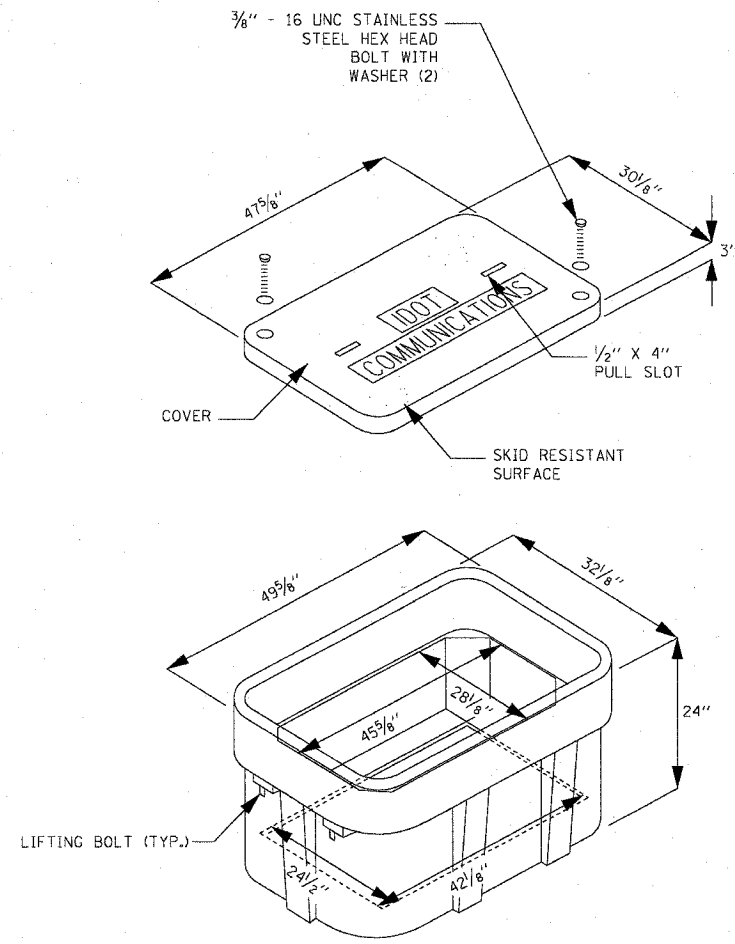


F.A.I. RTE.	SECTION	COUNTY	TOTAL SHEETS	SHEET NO.
90/94		COOK	588	338
STA.	TO STA.			
FED. ROAD DIST. NO. 1	ILLINOIS FED. AID PROJECT			
62303	(2021-922 PT2 ETC 2324.6-1P) R-11			



- NOTES:**
1. BOX SHALL HAVE AN OPEN BASE.
 2. COVER SHALL BE TYPE HA AND SHALL LOCK.
 3. ALL OPENINGS IN STRUCTURE MUST BE MACHINED AT TIME OF FABRICATION OR PUNCH DRIVEN AT TIME OF PLACEMENT.
 4. FIELD PLACEMENT OF COMMUNICATIONS VAULT SHALL BE AS DIRECTED BY THE ENGINEER.

REVISIONS		ILLINOIS DEPARTMENT OF TRANSPORTATION F.A.I. 90/94 (DAN RYAN EXPRESSWAY) GARFIELD BLVD TO 31ST STREET (SB LOCAL LANES) COMMUNICATIONS VAULT DETAILS (HANDHOLE TYPE C1)
NAME	DATE	
SCALE: NTS	DRAWN BY: HAR	EI-105
DATE: June 9, 2006	CHECKED BY: JEC	

CTE | AECOM

06/07/2006 09:59:00 AM p:\b\466\elec\B-contrs 18 & 19\contract 19\190520.stb