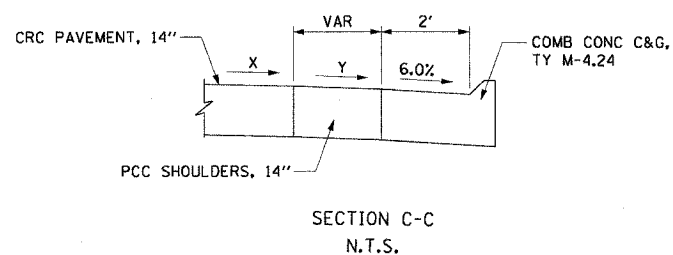
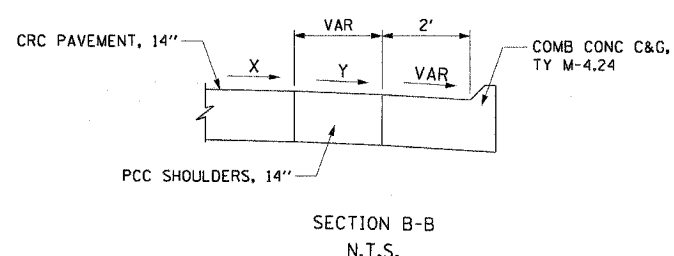
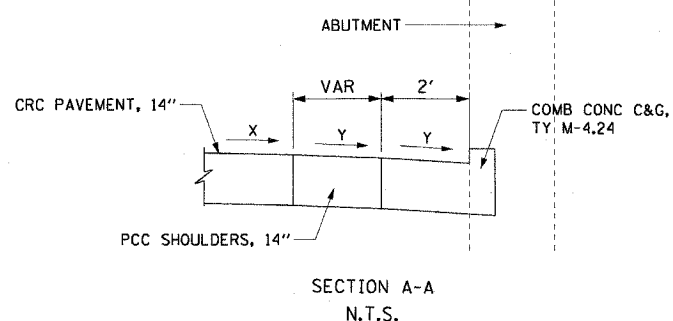
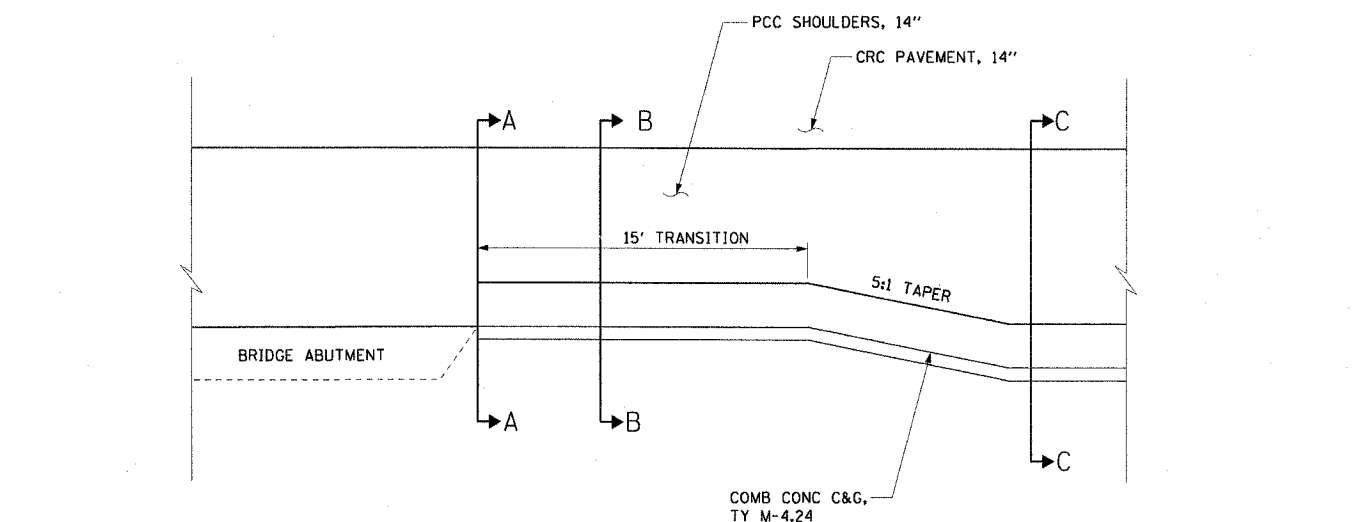


COMB CONC C&G, TY M-4.24 TRANSITION TO BRIDGE ABUTMENT
N.T.S.

STA 3501+55.67
STA 3528+18.47

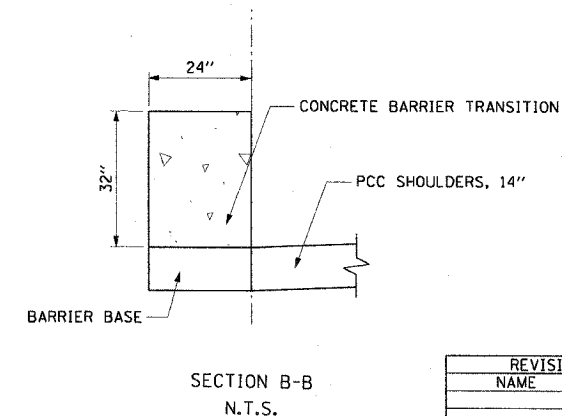
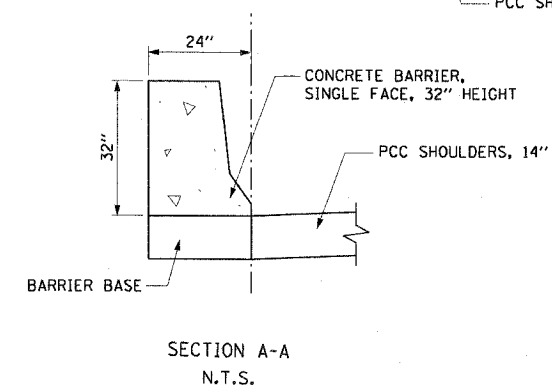
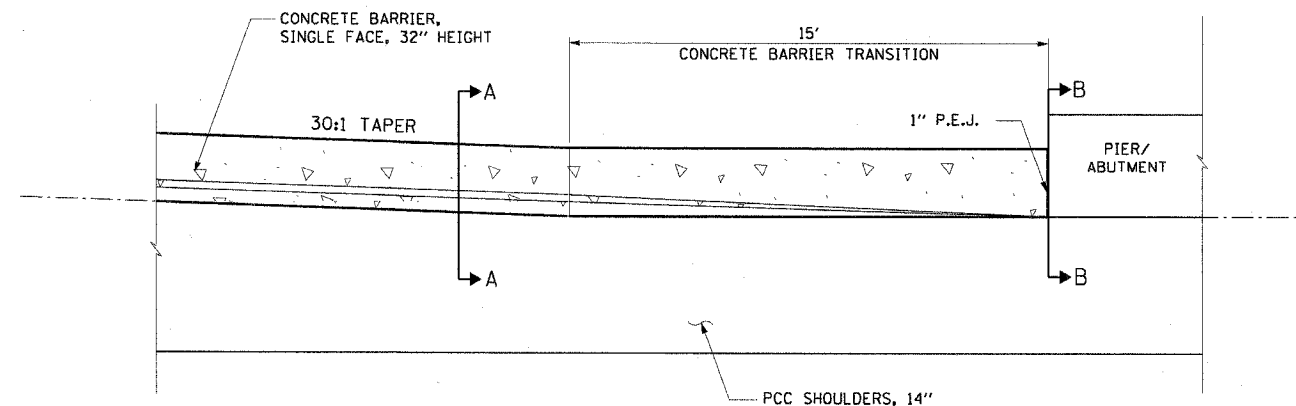


NOTE:
THE TRANSITION SECTION SHALL BE PAID FOR AS COMB CONC C&G, TY M-4.24.

| STATION | X | Y |
|------------|-------|------|
| 3501+55.67 | 1.5% | 4% |
| 3528+18.47 | -5.7% | 2.3% |

SINGLE FACE CONCRETE BARRIER TRANSITION TO PIER/ABUTMENT
N.T.S.

STA 3475+82.51



- NOTES:
- THE 1" PREFORMED EXPANSION JOINT SHALL BE INCLUDED IN THE COST OF CONCRETE BARRIER TRANSITION.
 - SEE RDT-3 FOR CONCRETE BARRIER, SINGLE FACE, 32" HEIGHT DETAILS.

| REVISIONS | |
|-----------|------|
| NAME | DATE |
| | |
| | |
| | |
| | |
| | |
| | |
| | |
| | |
| | |
| | |

ILLINOIS DEPARTMENT OF TRANSPORTATION
F.A.I. 90/94 (DAN RYAN EXPRESSWAY)
GARFIELD BLVD TO 31ST STREET (SB LOCAL LANES)
ROADWAY DETAILS
COMB CONC C&G TRANSITION TO ABUTMENT
SINGLE FACE CONCRETE BARRIER TRANSITION
SCALE: NONE
DATE: June 9, 2006
DRAWN BY: NJH
CHECKED BY: RMG