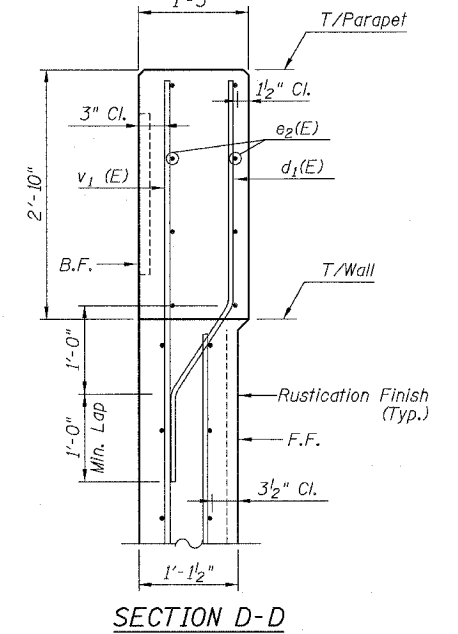
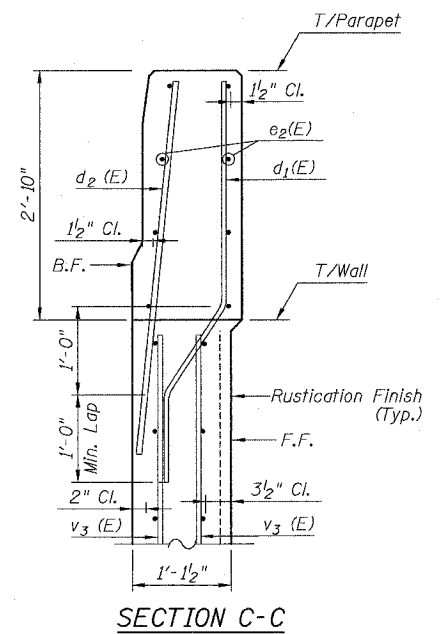
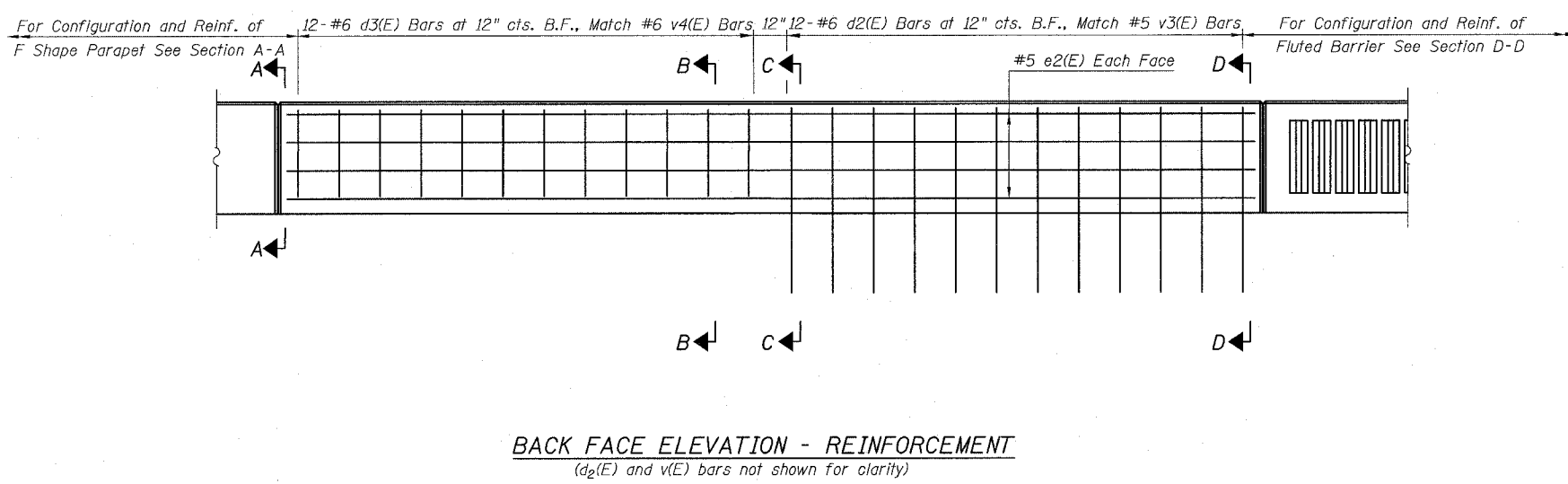
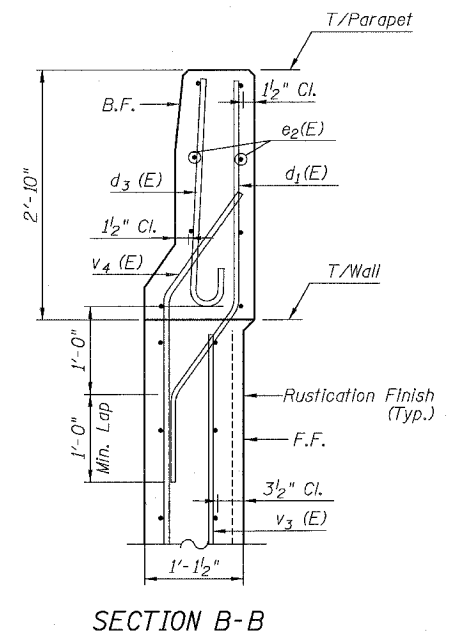
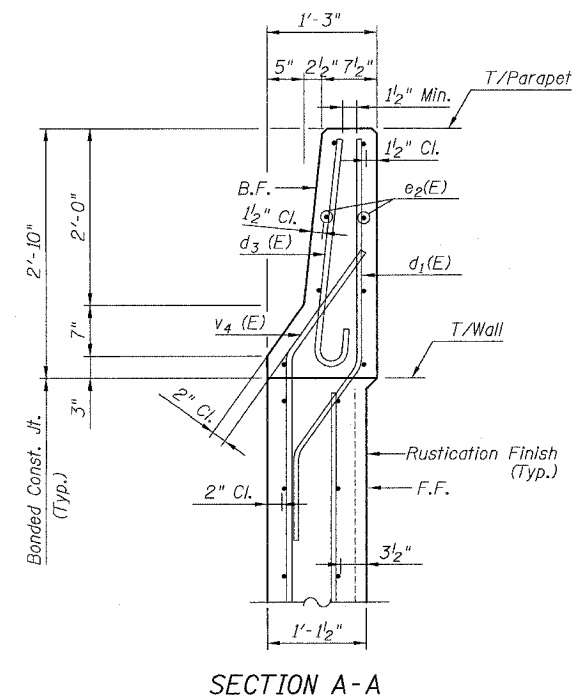
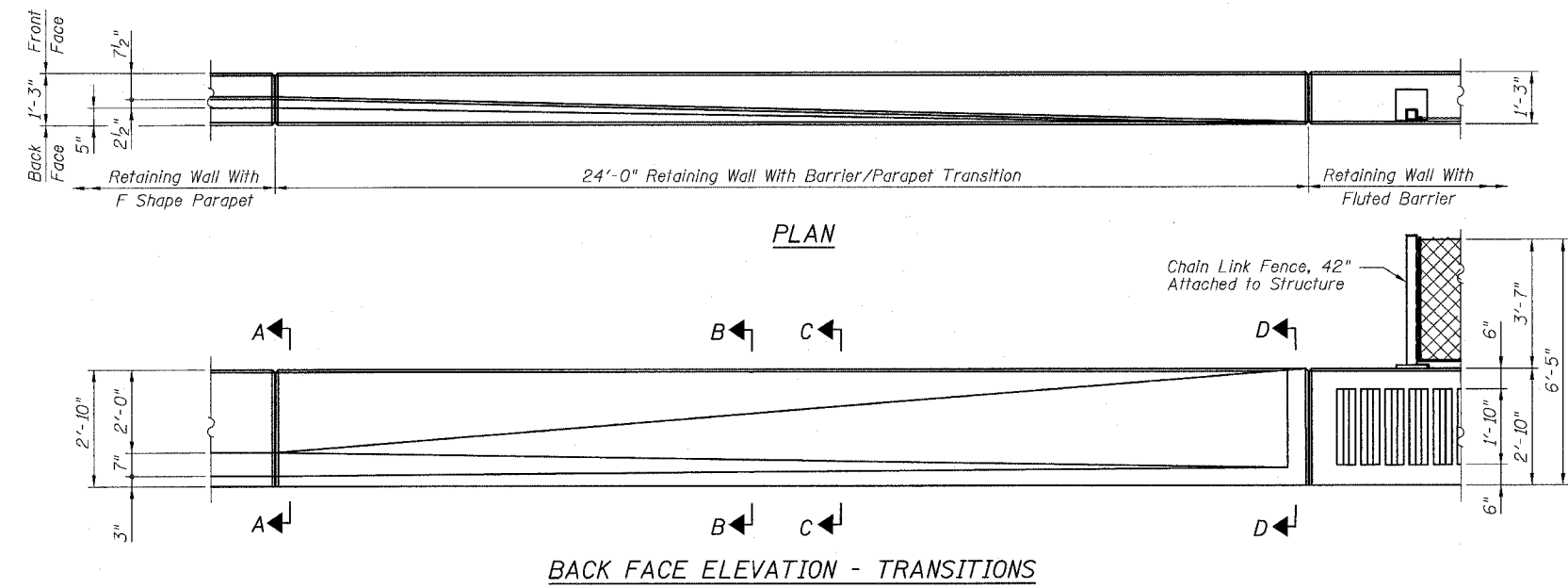


F.A.I.	SECTION	COUNTY	TOTAL SHEETS	SHEET NO.
94/90 *		COOK	588	405
STA.	TO STA.			
FED. ROAD DIST. NO.	ILLINOIS	FED. AID PROJECT		
62303 *2021-922 PT2 ETC 2324.6-1P) R-11				

ANSI/ASCE 11-02 WALL RET. 1955MDS-R1R_02.dgn



SHEET 9 OF 15

NOTES:
1. For Bill of Bars & Bar Bend Details, See Sheet 7.

REVISIONS	
NAME	DATE
REVISED	6/22/06

ILLINOIS DEPARTMENT OF TRANSPORTATION
F.A.I. 94/90 (DAN RYAN EXPRESSWAY)
GARFIELD BLVD TO 31ST STREET (SB LOCAL LANES)
**RETAINING WALL S-47N-R
PARAPET TRANSITION**
SCALE: NTS
DATE: JUNE 9, 2006
DRAWN BY: MTR
CHECKED BY: BLU

BOWMAN, BARRETT & ASSOCIATES INC.
CONSULTING ENGINEERS
Chicago, Illinois
312.228.0100
www.bbainc.com

6/23/2006 12:32:08 PM