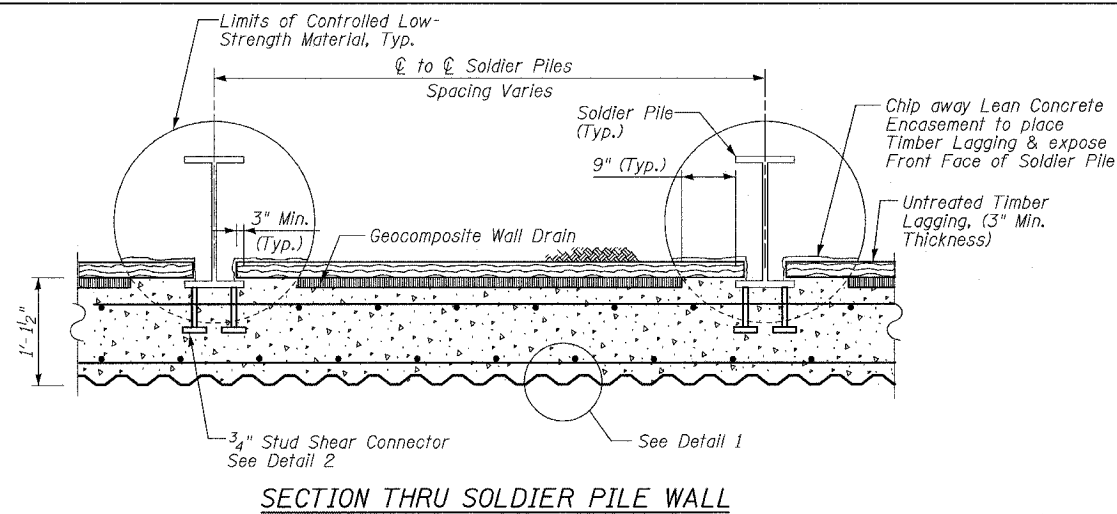


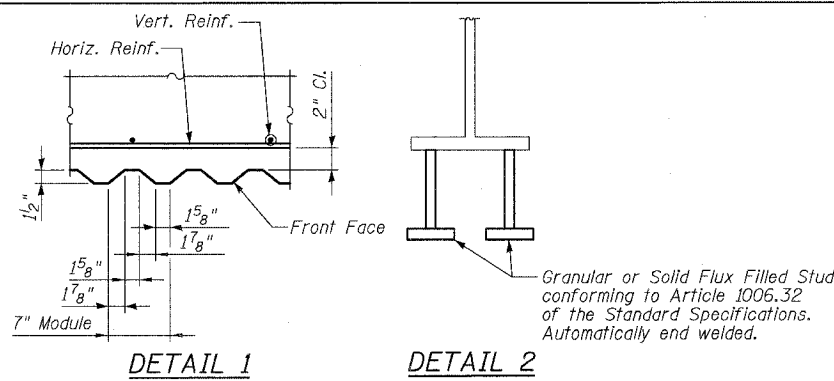
F.A.I.	SECTION	COUNTY	TOTAL SHEETS	SHEET NO.
94/90	*	COOK	588	428
STA.		TO STA.		
FED. ROAD DIST. NO.		ILLINOIS FED. AID PROJECT		
62303		*(2021-922 PT2 ETC 2324.6-1P) R-11		

W:\660\9409\9409\RET WALL\660_BSMD\585F.dwg

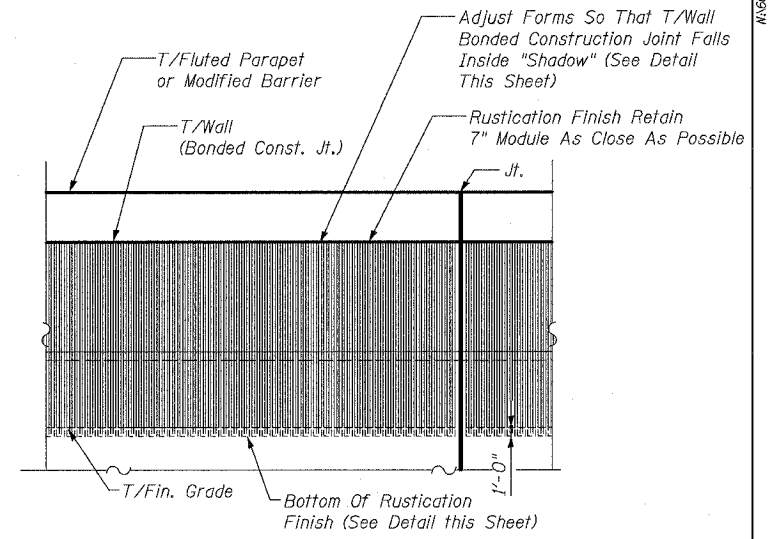
5/6/2006 TM



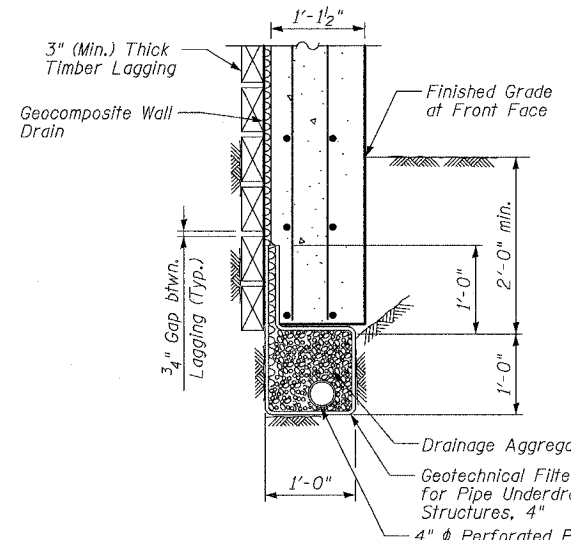
SECTION THRU SOLDIER PILE WALL



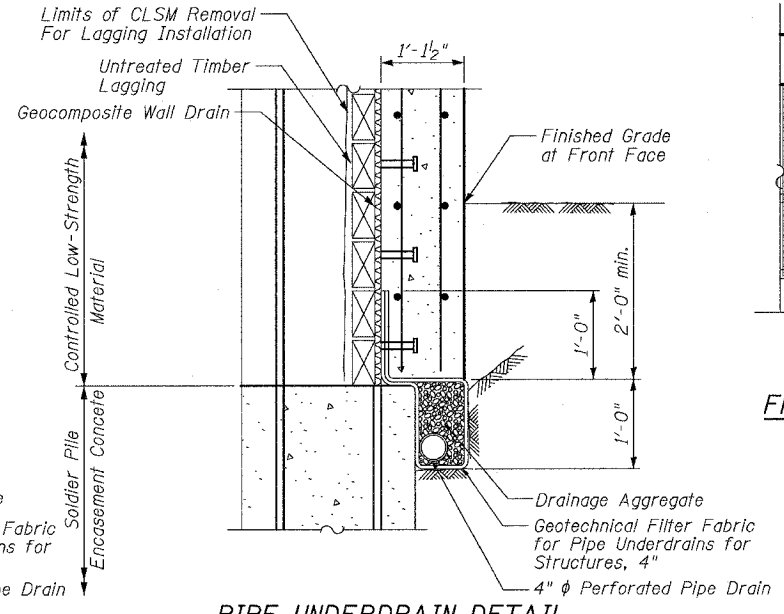
DETAIL 1 DETAIL 2



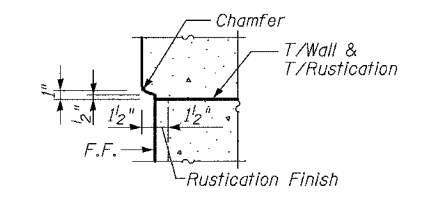
FRONT FACE ELEVATION OF RETAINING WALL



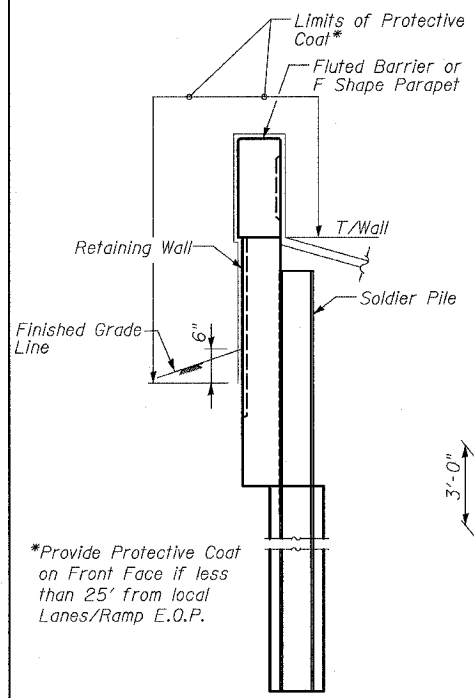
PIPE UNDERDRAIN DETAIL BETWEEN SOLDIER PILES



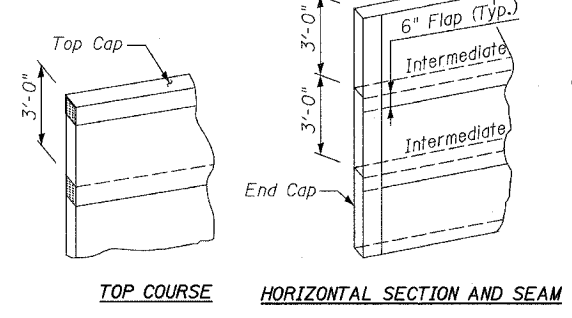
PIPE UNDERDRAIN DETAIL AT SOLDIER PILES



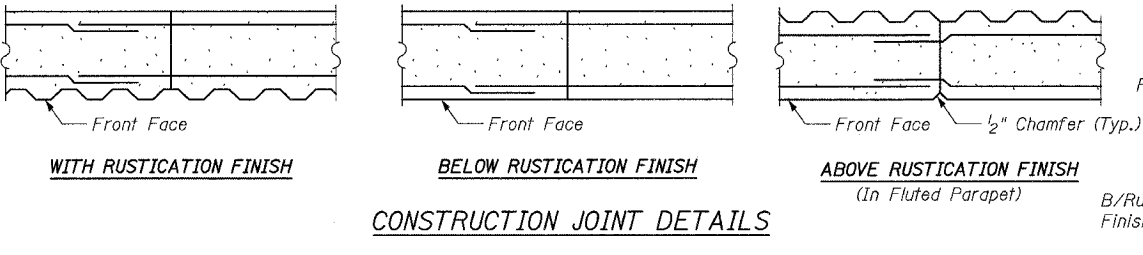
TOP OF RUSTICATION FINISH



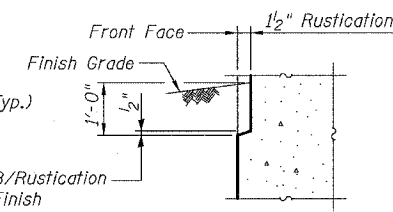
DETAIL OF LIMITS OF PROTECTIVE COAT



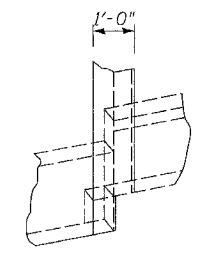
TOP COURSE HORIZONTAL SECTION AND SEAM



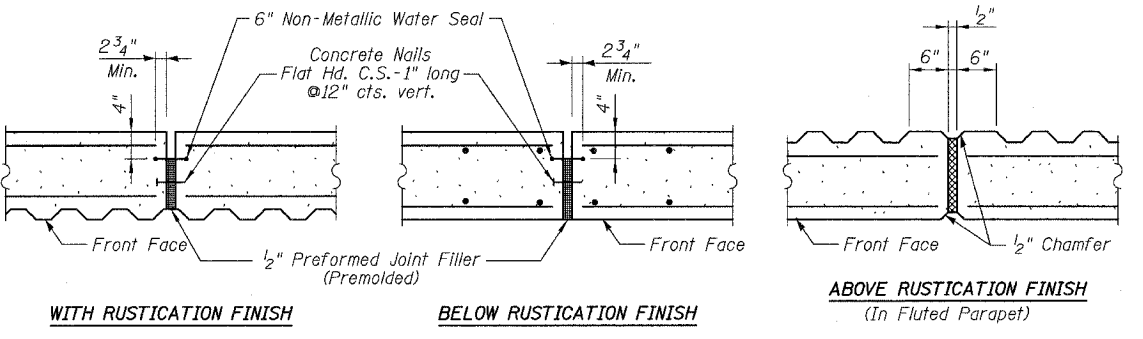
CONSTRUCTION JOINT DETAILS



BOTTOM OF RUSTICATION FINISH



VERTICAL SPLICE GEOCOMPOSITE WALL DRAIN DETAILS



EXPANSION JOINT DETAILS

Cast of P.J.F., Water Seal and Concrete Nails included with Concrete Structures.

BOWMAN, BARRETT & ASSOCIATES INC.
CONSULTING ENGINEERS
Chicago, Illinois
312.228.0100
www.bbandainc.com

REVISIONS	
NAME	DATE
REVISOR	06/21/06
REVISOR	07/13/06

SHEET 17 OF 24
ILLINOIS DEPARTMENT OF TRANSPORTATION
F.A.I. 94/90 (DAN RYAN EXPRESSWAY)
GARFIELD BLVD TO 31ST STREET (SB LOCAL LANES)
COOK COUNTY
STA. 3532+90.57 TO STA. 3543+57.42
RETAINING WALL S-45S-F
MISCELLANEOUS DETAILS
S.N. 016-W978
SCALE: NTS DRAWN BY: MTR
DATE: JUNE 9, 2006 CHECKED BY: BLU