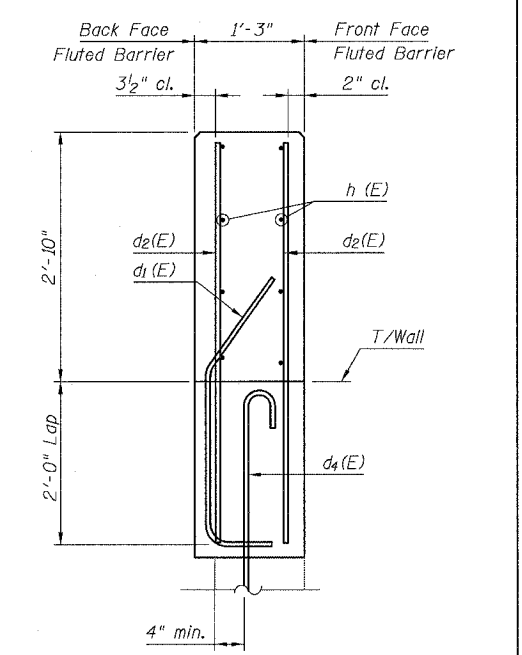
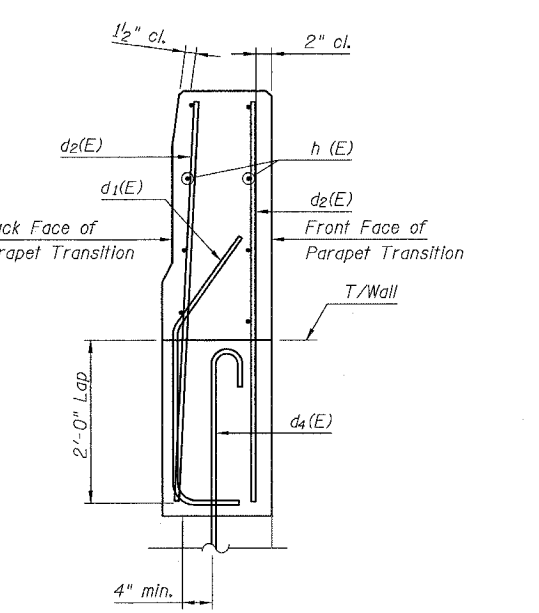
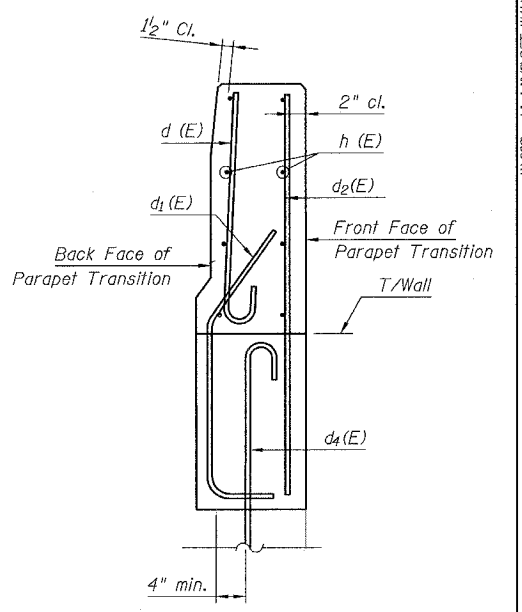
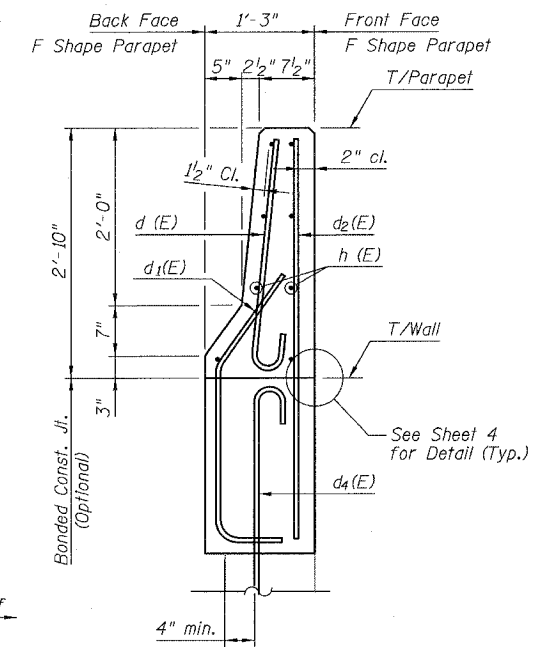
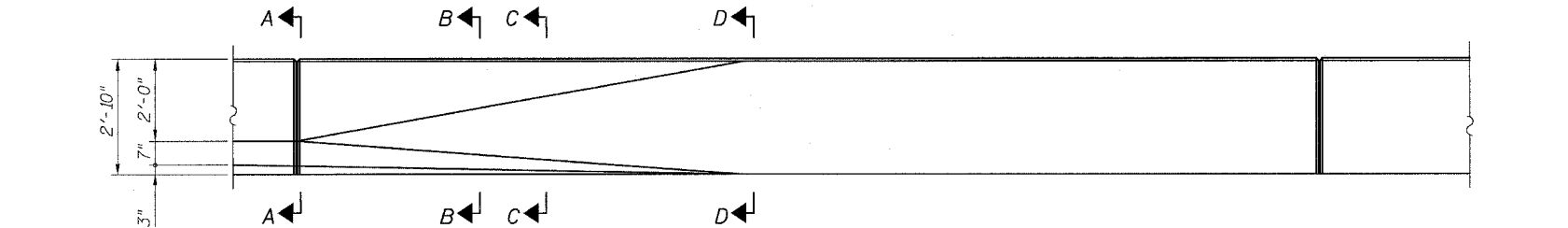
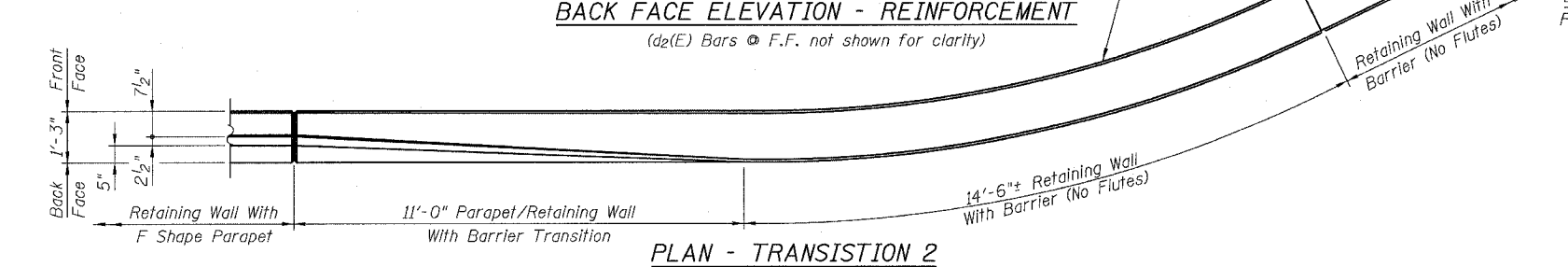
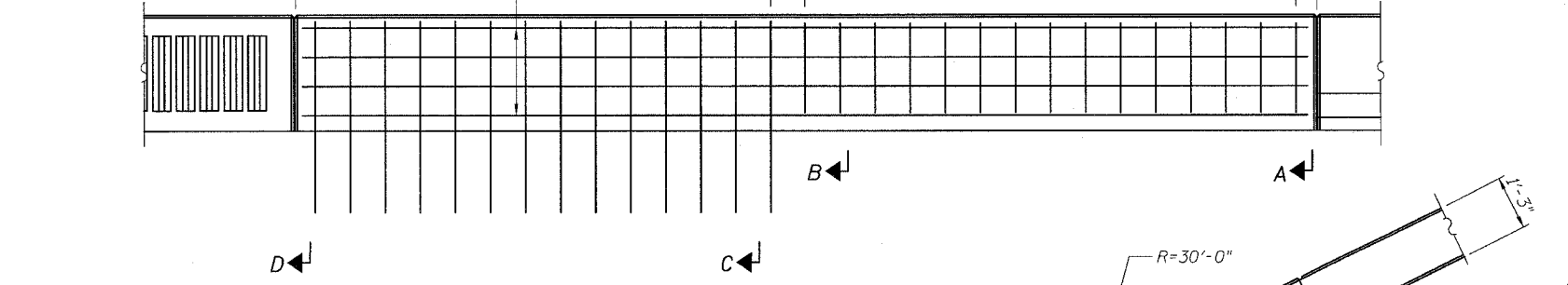
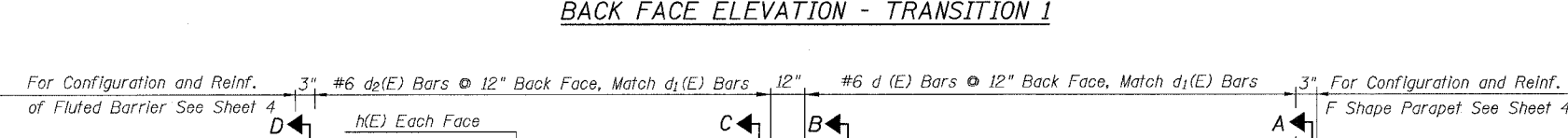
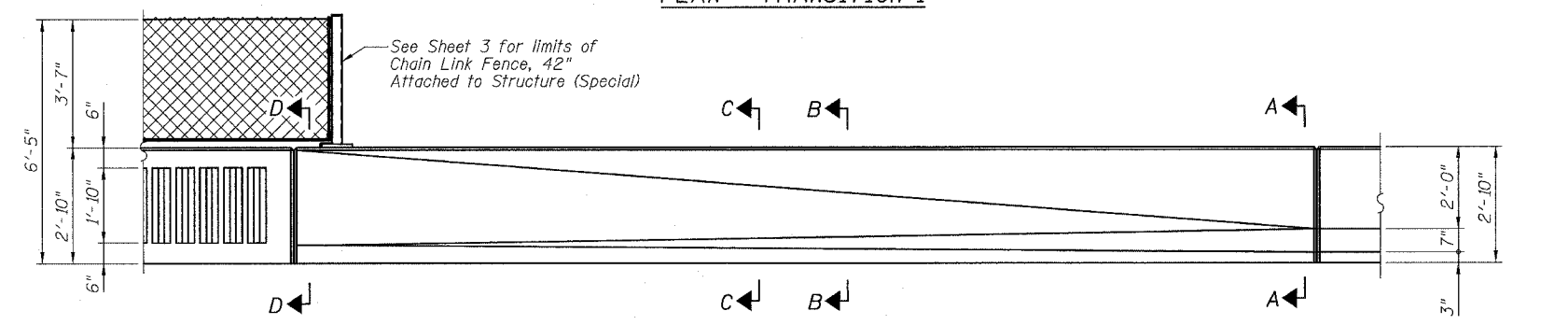
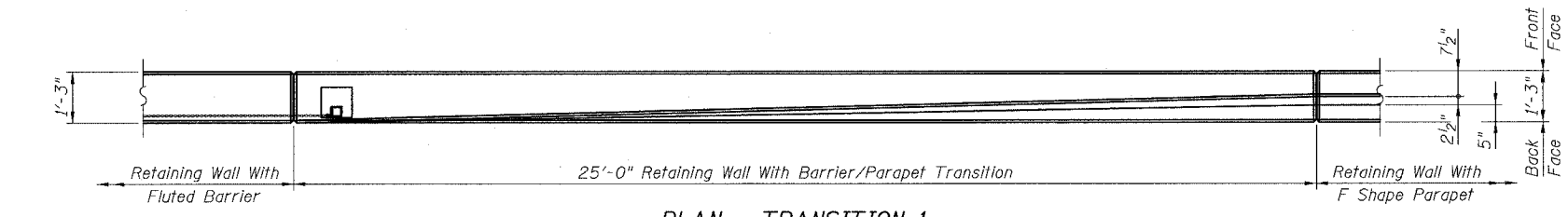


F.A.I.	SECTION	COUNTY	TOTAL SHEETS	SHEET NO.
94/90	*	COOK	588	450
STA.	TO STA.			
FED. ROAD DIST. NO.	ILLINOIS FED. AID PROJECT			
62303 • (2021-922 PT2 ETC 2324.6-1P) R-11				



NOTES:
 1. For Bill of Bars & Bar Bend Details, See Sheet 4.

REVISIONS	
NAME	DATE
REVISED	7/11/06

SHEET 6 OF 8
 ILLINOIS DEPARTMENT OF TRANSPORTATION
 F.A.I. 94/90 (DAN RYAN EXPRESSWAY)
 GARFIELD BLVD TO 31ST STREET (SB LOCAL LANES)
 RETAINING WALL S-39S-R
 PARAPET TRANSITION
 SCALE: NTS
 DATE: JUNE 9, 2006
 DRAWN BY: PAH
 CHECKED BY: BLU

BOWMAN, BARRETT & ASSOCIATES INC.
 CONSULTING ENGINEERS
 Chicago, Illinois
 312.228.0100
 www.bbainc.com

ANSI Z39-18 11/95 VARIET WALL 1660_LJ51025395R_L02.dwg 07/12/2006 12:36:11 PM