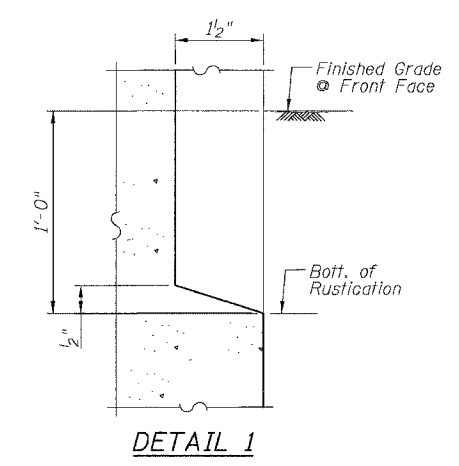
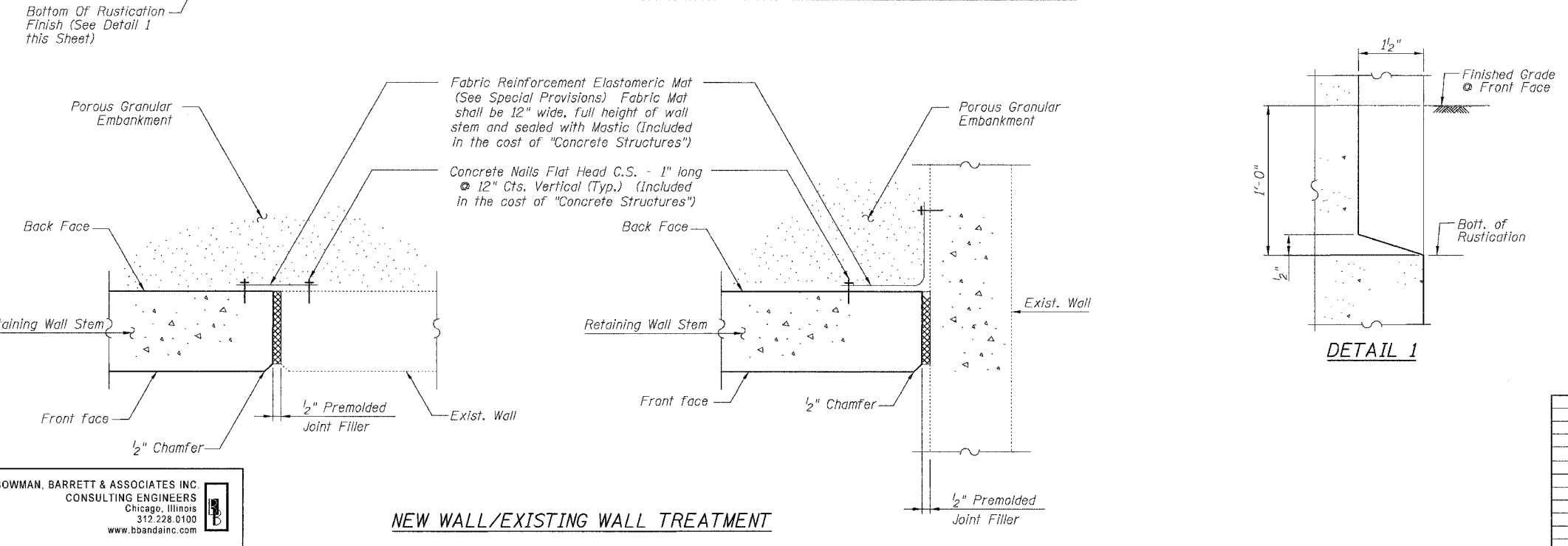
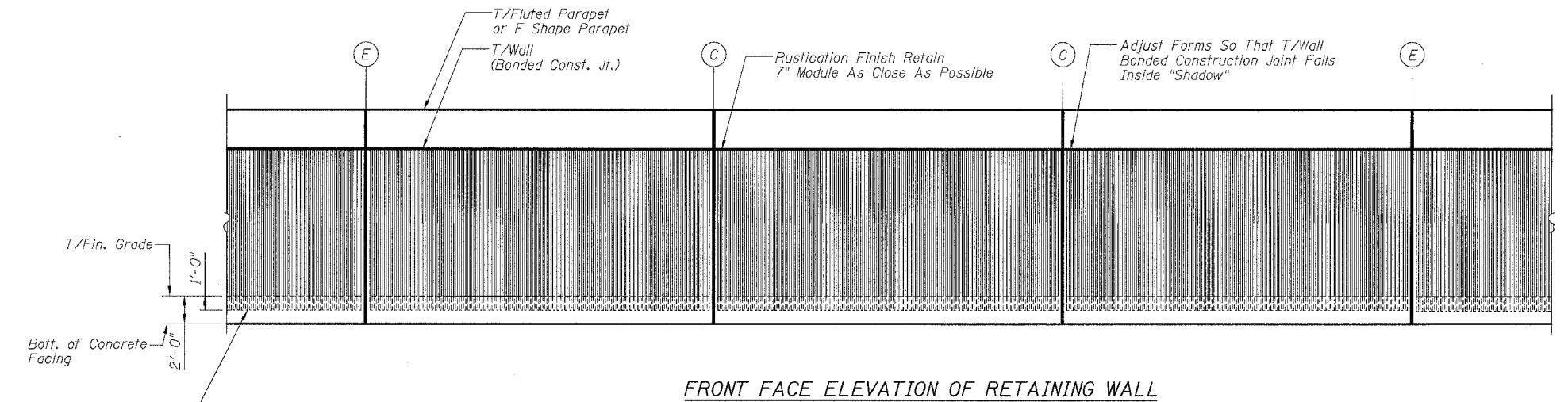
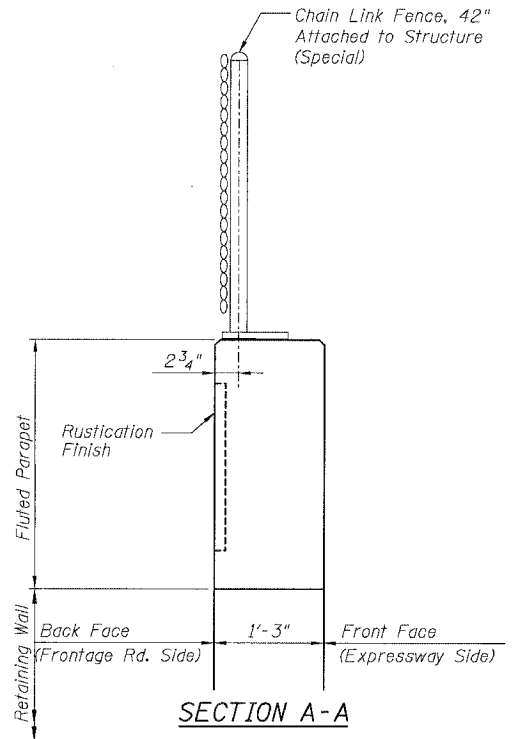
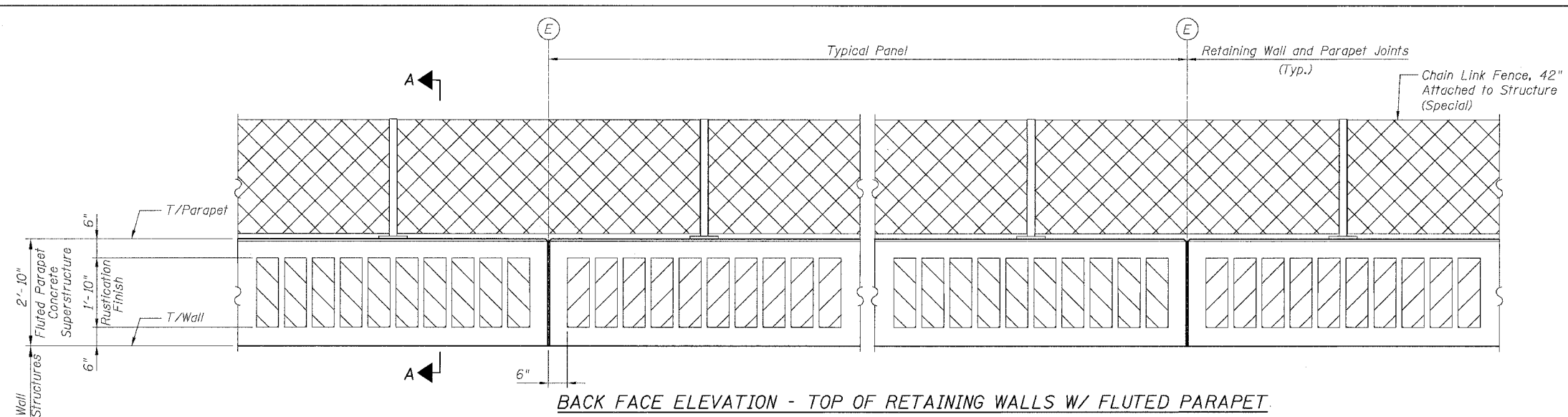


F.A.I.	SECTION	COUNTY	TOTAL SHEETS	SHEET NO.
94/90		COOK	588	454
STA.	TO STA.			
FED. ROAD DIST. NO.		ILLINOIS FED. AID PROJECT		
62303		*I2021-922 PT2 ETC 2324.6-1P) R-11		



- NOTES:**
1. Back Face is face adjacent to Frontage Rd. and Front Face is face adjacent to Expressway.
 2. See Wall Elevations for panel dimensions.
 3. See Sheet SD1 for Chain Link Fence, 42" Attached to Structure (Special) Details.

- LEGEND:**
- (E) Expansion Joint
 - Chain Link Fabric
 - Rustication Finish

REVISIONS	NAME	DATE

SHEET SD2 OF SD9

ILLINOIS DEPARTMENT OF TRANSPORTATION
 F.A.I. 94/90 (DAN RYAN EXPRESSWAY)
 GARFIELD BLVD TO 31ST STREET (SB LOCAL LANES)

TYPICAL FLUTED PARAPET &
 RUSTICATION FINISH DETAILS

SCALE: NTS
 DATE: JUNE 9, 2006

DRAWN BY: MTR
 CHECKED BY: BLU

BOWMAN, BARRETT & ASSOCIATES INC.
 CONSULTING ENGINEERS
 Chicago, Illinois
 312.228.0100
 www.bbandainc.com

NEW WALL/EXISTING WALL TREATMENT

6/8/2006 9:42:27 AM