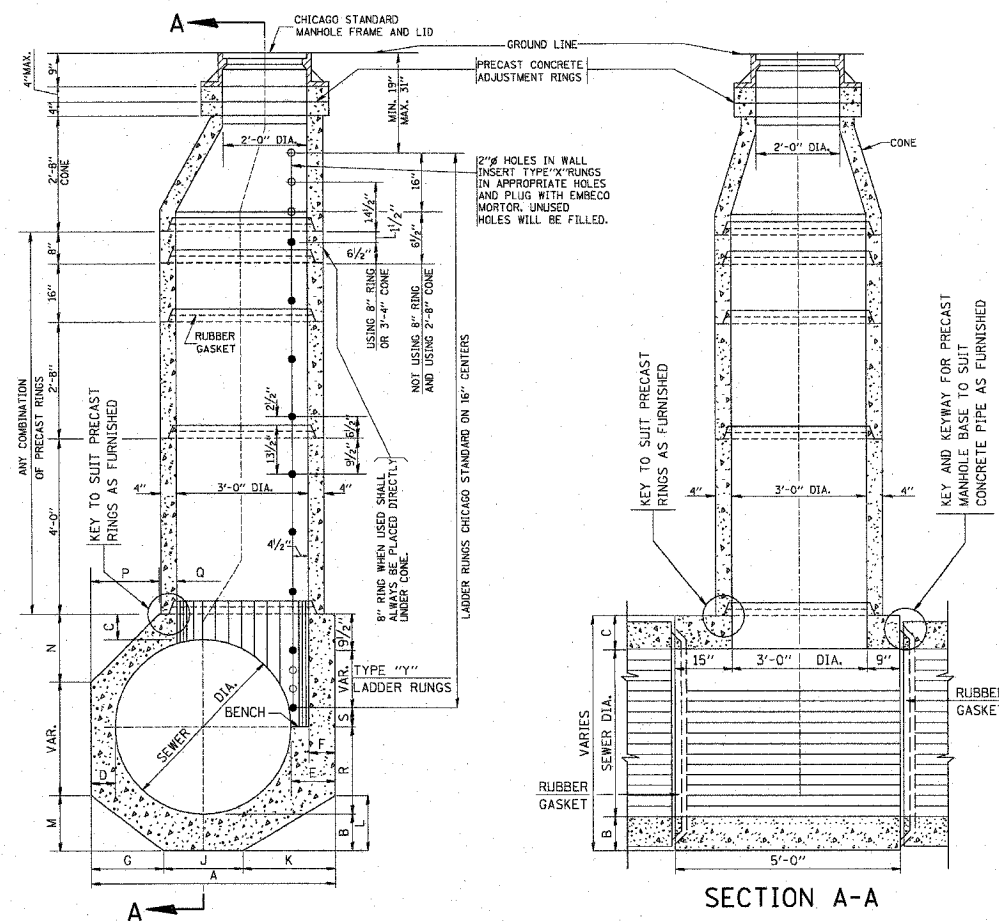
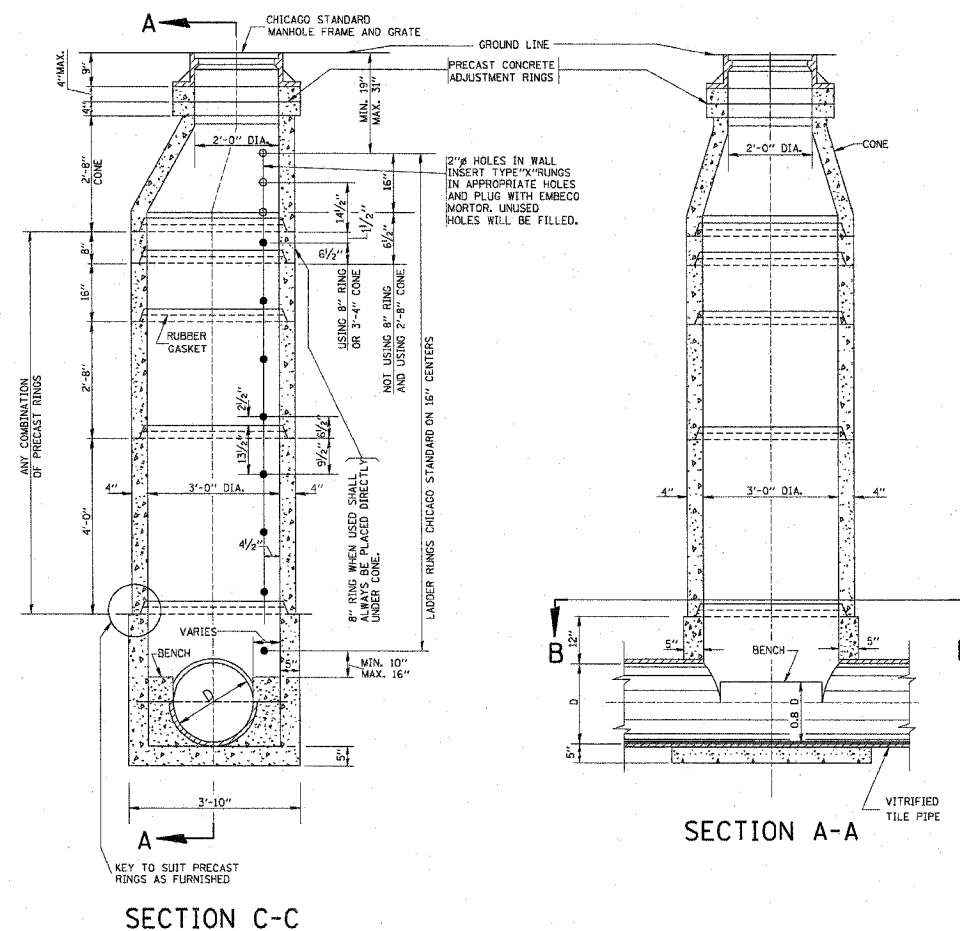


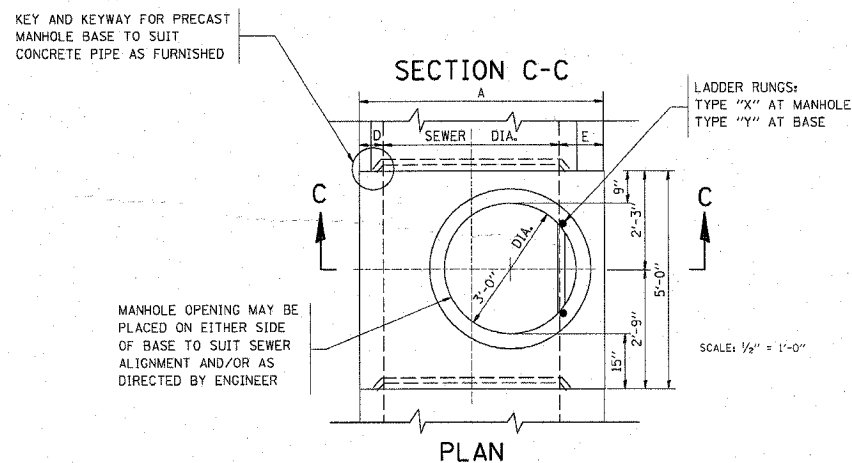
F. A. SHEET	SECTION	COUNTY	TOTAL SHEETS	SHEET NO.
			588	480
STA.		TO STA.		
FED. ROAD DIST. NO.		ILLINOIS		FED. AID PROJECT



TYPE "A" MANHOLE  
FOR SEWERS  
24" TO 120" DIAMETER  
PRECAST BASES AND RINGS



TYPE "A" MANHOLE  
FOR SEWERS  
21" DIAMETER AND SMALLER  
PRECAST BASES AND RINGS



PLAN

SEWER DIA.	PART ITEM	DIMENSIONS OF PRECAST MANHOLE BASE																NO. RINGS
		A	B	C	D	E	F	G	J	K	L	M	N	P	Q	R		
120"		12"-4 1/2"	12"	12"	16 1/2"	12"	4'-0"	4'-0"	4'-4 1/2"	2'-7 1/2"	3'-7"	3'-7"	4'-8 1/2"	2'-0"	2 1/2"	7		
108"		11"-4 1/2"	12"	12"	16 1/2"	12"	3'-8"	3'-8"	4'-0 1/2"	2'-5"	2'-2"	3'-4"	4'-0 1/2"	2'-0"	6 1/2"	6		
102"		10"-10 1/2"	12"	12"	16 1/2"	12"	3'-6"	3'-6"	3'-10 1/2"	2'-4"	2'-1"	3'-2"	3'-8 1/2"	2'-0"	16 1/2"	5		
96"	10-A	10"-2 1/2"	11"	11"	15 1/2"	11"	3'-3"	3'-3"	3'-8 1/2"	2'-3"	23"	2'-11"	2'-11"	3'-4 1/2"	2'-0"	9 1/2"	5	
90"	10-B	9"-8 1/2"	11"	11"	15 1/2"	11"	3'-1"	3'-1"	3'-6 1/2"	2'-1 1/2"	22"	2'-10"	2'-10"	3'-0"	3 1/2"	5		
84"	10-C	9'-0 1/2"	10"	10"	14 1/2"	10"	2'-11"	2'-11"	3'-2 1/2"	23"	21"	2'-7"	2'-7 1/2"	2'-0"	12 1/2"	4		
78"	10-D	8'-6 1/2"	10"	10"	14 1/2"	10"	2'-9"	2'-9"	3'-0 1/2"	22"	20"	2'-6"	2'-6"	2'-0"	6 1/2"	4		
72"	10	7"-10 1/2"	9"	9"	13 1/2"	9"	2'-6"	2'-6"	2'-10 1/2"	21"	18"	2'-3"	2'-3"	2'-0"	15 1/2"	3		
66"	11	7'-4 1/2"	9"	9"	13 1/2"	9"	2'-4"	2'-4"	2'-8 1/2"	19 1/2"	17"	2'-1"	2'-1"	18 1/2"	2'-0"	9 1/2"	3	
60"	12	6'-8 1/2"	8"	8"	12 1/2"	8"	2'-1 1/2"	2'-1 1/2"	2'-6"	18"	15"	23"	23"	13 1/2"	2'-0"	2 1/2"	3	
54"	13	6'-2 1/2"	8"	8"	12 1/2"	8"	23 1/2"	23"	2'-4"	17"	14"	21"	21"	9 1/2"	2'-0"	12 1/2"	2	
48"	14	5'-6 1/2"	7"	7"	11 1/2"	7"	20 1/2"	21"	2'-1"	15"	12 1/2"	18 1/2"	18 1/2"	5"	2'-0"	5 1/2"	2	
42"	15	5'-0 1/2"	7"	7"	11 1/2"	7"	18 1/2"	19"	23"	14"	11"	---	---	17 1/2"	21"	2 1/2"	2	
36"	16	4'-4 1/2"	6"	6"	10 1/2"	6"	16"	16"	20 1/2"	12 1/2"	9 1/2"	---	---	10 1/2"	18"	14 1/2"	1	
30"	17	4'-0"	6"	6"	12"	6"	14"	14"	20"	12"	8 1/2"	---	---	6"	15"	11 1/2"	1	
24"	18	4'-0"	6"	6"	12"	6"	16"	16"	16"	9 1/2"	9 1/2"	---	---	6"	12"	8 1/2"	1	

FOR STATE CONTRACT  
ALL DIMENSIONS SHOULD  
BE PREPARED IN METRIC  
UNITS. SOFT CONVERSION  
METHOD SHOULD BE USED.

REVISIONS		CITY OF CHICAGO DRAINAGE DETAILS
DATE	DESCRIPTION	
6-18-82	CHICAGO STANDARD MH	
9-22-90	TYPE "A" MANHOLE	

10/18/2002

BD600-12 (BD-9)  
REVISION DATE: 09/22/90