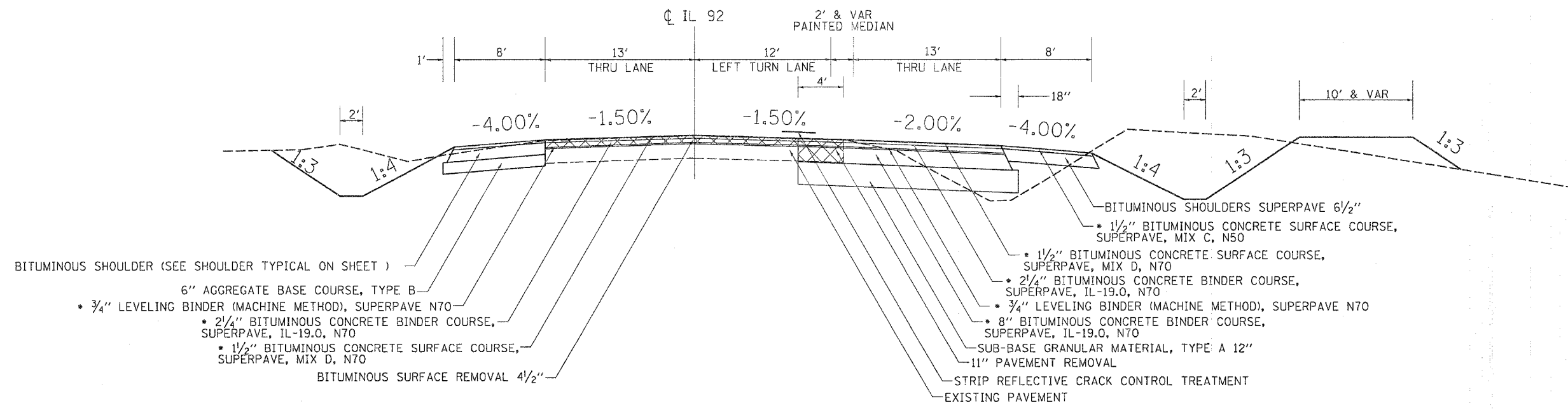


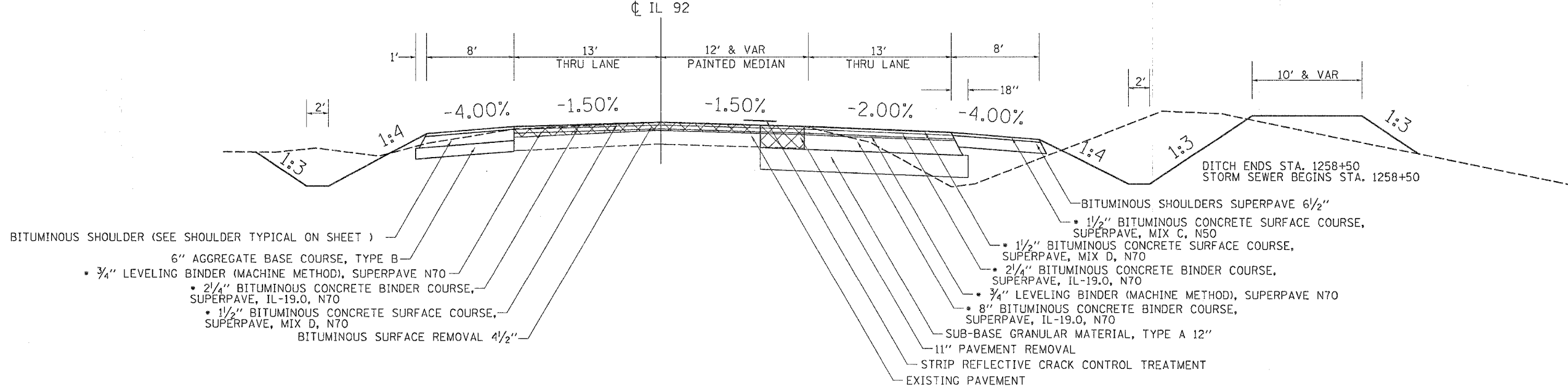
F.A. RTE.	SECTION	COUNTY	TOTAL SHEETS	SHEET NO.
599	(26-15D)M	ROCK ISLAND	116	11
STA.		TO STA.		
FED. ROAD DIST. NO.		ILLINOIS FED. AID PROJECT		

TYPICAL SECTIONS

STA. 1255+50.00 - STA. 1256+77.42



STA. 1256+77.42 - STA. 1259+60.53



PLOT DATE * Wed Jun 21 13:16:06 2006
 FILE NAME = c:\p\proj\64a46\2615d\typ.dgn
 USER NAME = mgj11j

* = 112 LB/SY/IN