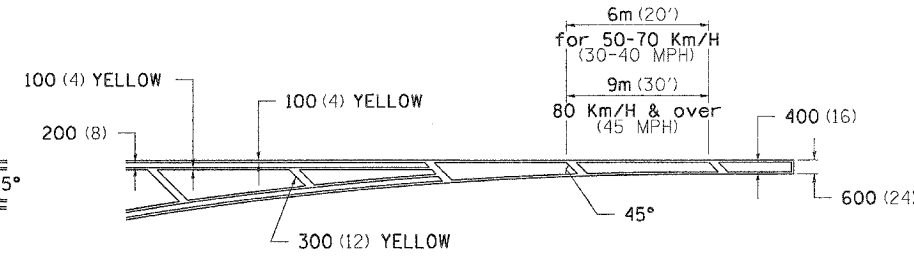
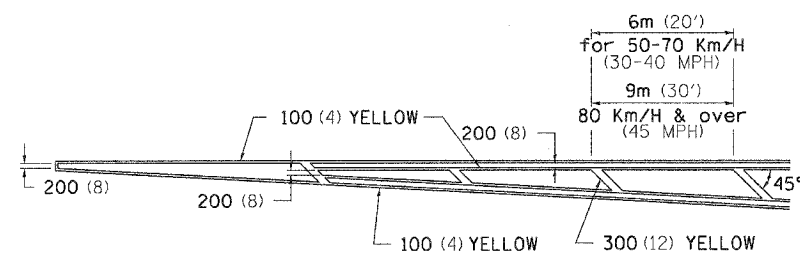


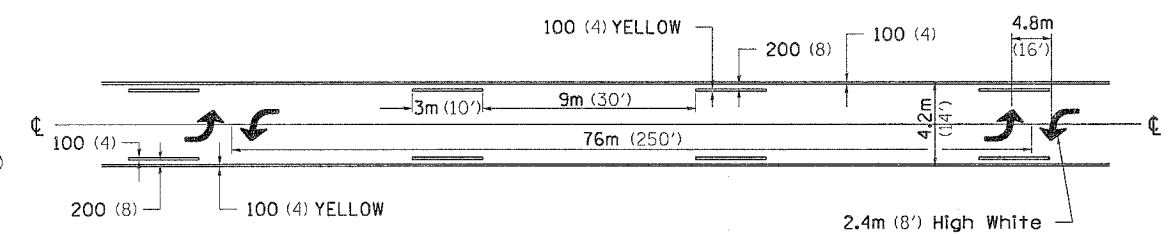
F.A. R. RTE.	SECTION	COUNTY	TOTAL SHEETS	SHEET NO.
599	(26-15D)M	ROCK ISLAND	116	90
STA.		TO STA.		
FED. ROAD DIST. NO.		ILLINOIS FED. AID PROJECT		

TYPICAL PAVEMENT MARKINGS

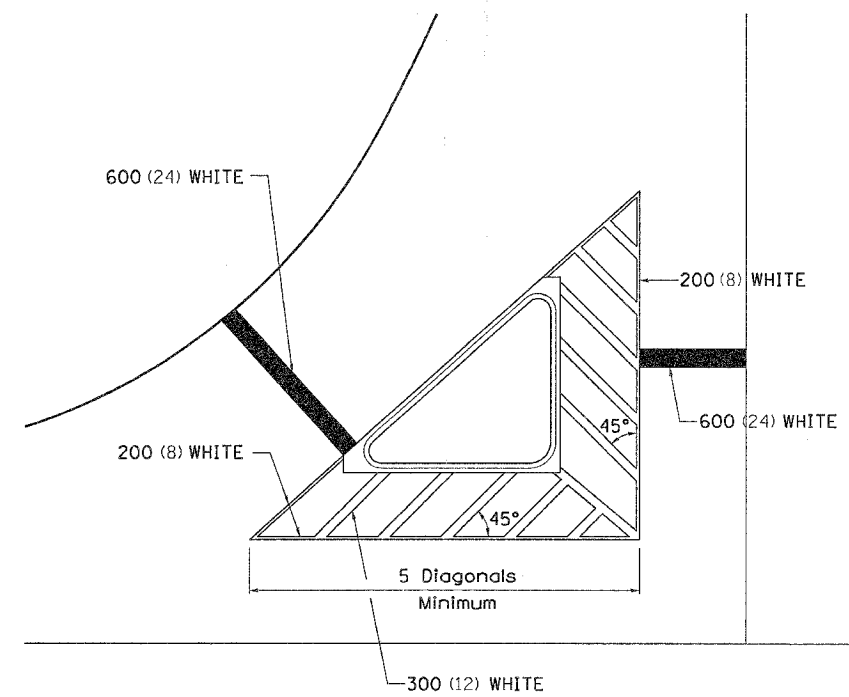
TYPICAL PAVEMENT MARKING FOR FLUSH MEDIAN



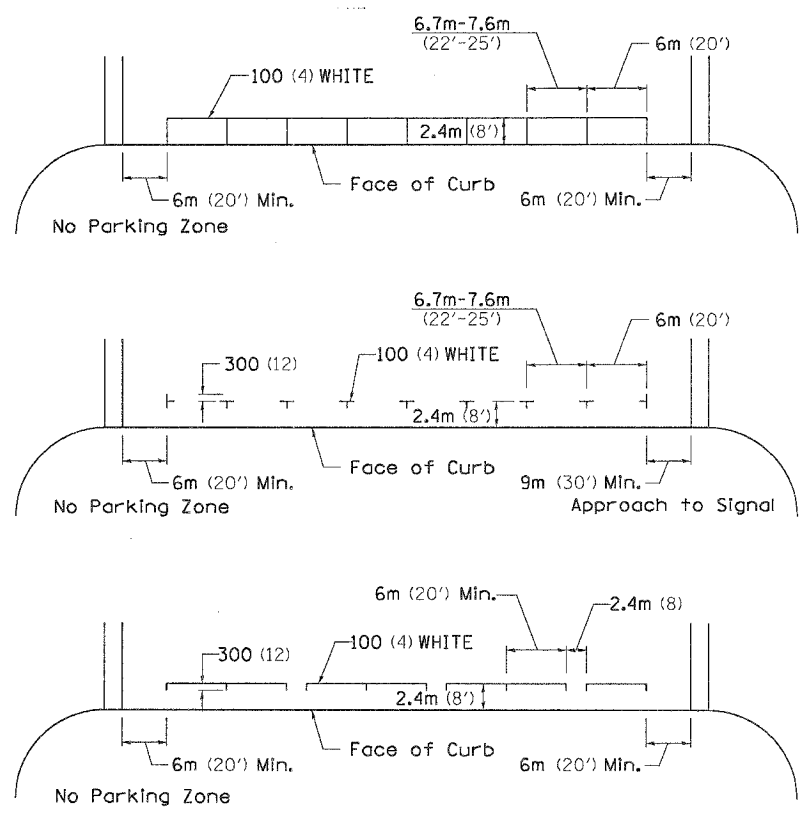
MEDIAN PAVEMENT MARKING



TYPICAL ISLAND OFFSET SHOULDER WIDTH

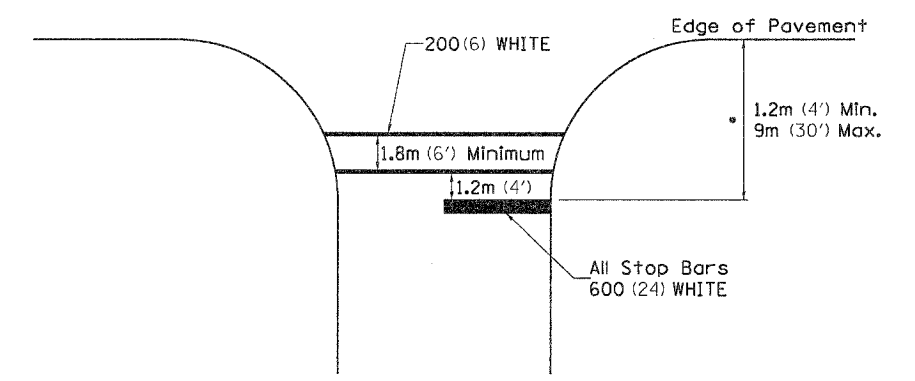


TYPICAL PARKING SPACING



•• ALL DIMENSIONS ARE IN MILLIMETERS (INCHES) UNLESS OTHERWISE NOTED.

STANDARD CROSSWALK MARKING
See Schedules for Locations



• Distance to the nearest edge of the intersecting roadway in the absence of a marked crosswalk.

PLOT DATE = Wed Jun 21 09:51:15 2006
FILE NAME = c:\p\projects\2629784\06724.dgn
SCALE = 1/8" = 1'-0"
REFERENCE = REF#