

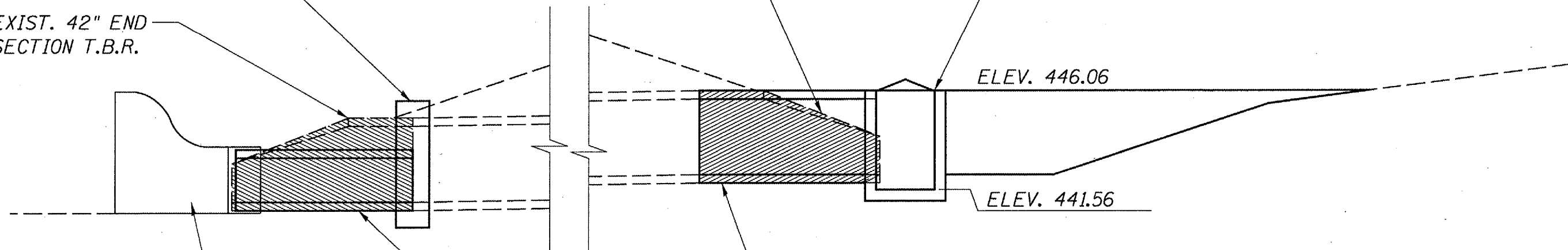
FLANGED CHECK VALVE

PROP. REINF. CONC.
COLLAR, SEE SHEET
7 FOR DETAILS

EXIST. 42" END
SECTION T.B.R.

EXIST. 42" END
SECTION T.B.R.

PROP. CATCH BASIN,
W/ TYPE 7 GRATE, SEE
SHEET 7 FOR DETAILS



PROP. SLIP-ON
CHECK VALVE 24"φ,
F.L. 441.09, SEE
DETAIL THIS SHEET

PROP. PIPE CULVERT,
CLASS A, TYPE 2,
24"φ x 8', F.L. 441.09,
55.45' LT.

PROP. PIPE CULVERT,
CLASS A, TYPE 2,
42"φ x 8', F.L. 442.24,
29.20' RT.

CULVERT EXTENSION STATION 205+40

DETAILS
FAP 612 (IL 100)
SECTION 112I-2
SCHUYLER COUNTY