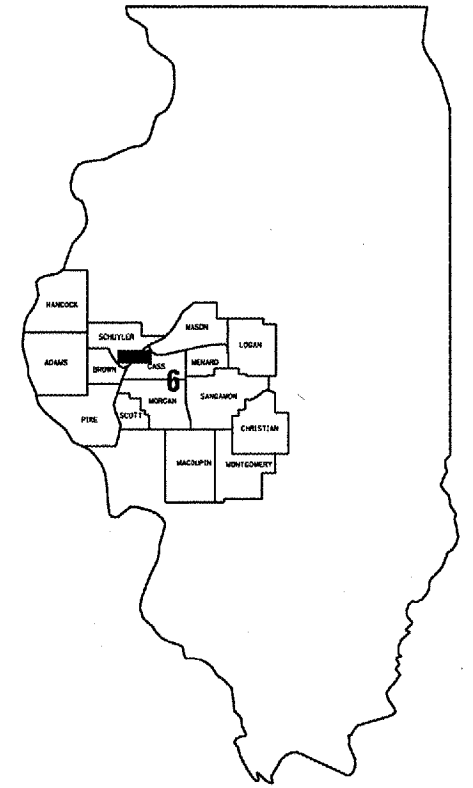


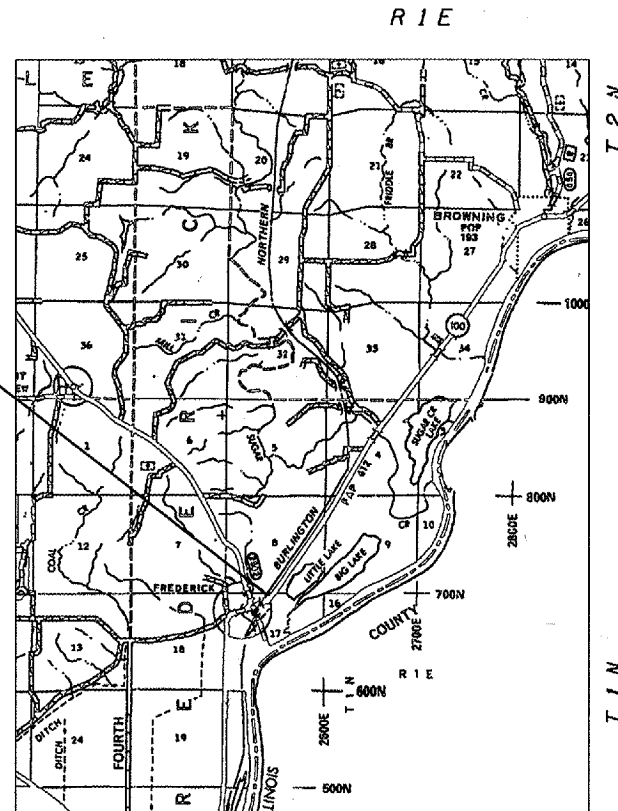
FOR INDEX OF SHEETS AND HIGHWAY
STANDARDS, SEE SHEET 2.

STATE OF ILLINOIS
DEPARTMENT OF TRANSPORTATION
DIVISION OF HIGHWAYS
**PLANS FOR PROPOSED
CONTRACT MAINTENANCE**
FAP ROUTE 612 (IL 100)
SECTION 112I-2
SCHUYLER COUNTY
C96-007-07 / D96-021-06



LOCATION OF SECTION INDICATED THUS: ■

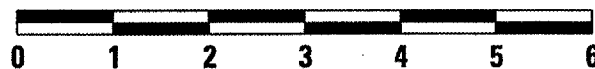
PROJECT LOCATION
STA. 205 + 40



J. U. L. I. E.
JOINT UTILITY LOCATION INFORMATION FOR EXCAVATION
1-800-892-0123

PLANS & CONTRACT TECHNICIAN: TIMOTHY SHARP
PHONE: (217) 782-7743

NET LTH OF SEC



SCALE: 1" = 2 MILES

CONTRACT NO. 72A49

STATE OF ILLINOIS
DEPARTMENT OF TRANSPORTATION
DIVISION OF HIGHWAYS

SUBMITTED JUNE 20 2006
Chris M. Reed
DEPUTY DIRECTOR OF HIGHWAYS, REGION FOUR ENGINEER

August 18, 20 06
Mike Hine
ENGINEER OF DESIGN AND ENVIRONMENT




August 18, 20 06
Milton R. See P.E.
DIRECTOR, DIVISION OF HIGHWAYS

INDEX

- 1 COVER
- 2 INDEX/STANDARDS/SIGNATURES
- 3 QUANTITIES
- 4 PLAN
- 5 ELEVATIONS
- 6-7 DETAILS
- 8-9 CROSS SECTIONS

STANDARDS

- 604031-01
- 701001-01
- 701006-02
- 701201-02
- 702001-06

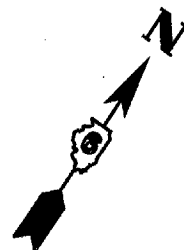
STATE OF ILLINOIS DEPARTMENT OF TRANSPORTATION DIVISION OF HIGHWAYS DISTRICT 6
EXAMINED <u>June 15</u> 20 <u>06</u>  ENGINEER OF OPERATIONS
EXAMINED <u>June 19</u> 20 <u>06</u>  ENGINEER OF PROGRAM IMPLEMENTATION
EXAMINED <u>JUNE 16</u> 20 <u>06</u>  ENGINEER OF PROGRAM DEVELOPMENT

INDEX/STANDARDS/SIGNATURES
FAP 612 (IL 100)
SECTION 112I-2
SCHUYLER COUNTY

S U M M A R Y O F Q U A N T I T I E S

CODE NO.	ITEM	UNIT	100% STATE
			Y007
			TOTAL QTY
20400800	FURNISHED EXCAVATION	CU YD	272
50105220	PIPE CULVERT REMOVAL	FOOT	16
50300225	CONCRETE STRUCTURES	CU YD	1.70
50800105	REINFORCEMENT BARS	POUND	402
542A1069	PIPE CULVERT, CLASS A, TYPE 2 24"	FOOT	8
542A1087	PIPE CULVERT, CLASS A, TYPE 2 42"	FOOT	8
54248510	CULVERT COLLAR	CU YD	1.50
60402110	GRATES, TYPE 7	EACH	1
67100100	MOBILIZATION	L SUM	1
70100450	TRAFFIC CONTROL AND PROTECTION, STANDARD 701201	L SUM	1
X0325537	ELASTOMERIC CHECK VALVE 30"	EACH	1

QUANTITIES
FAP 612 (IL 100)
SECTION 1121-2
SCHUYLER COUNTY



EXIST. TYPE A
GUTTER INLET
STA. 210+67

PROP. PRECAST CONC. PIPE CULVERT 42"φ,
8', W/ CATCH BASIN, TYPE B, AND
TYPE 7 GRATE STA. 205+40, 37.20' RT -
SEE SHEETS 6 & 7 FOR DETAILS

STA. 6+200 metric
= 204+60 english

PROP. LIMITS OF FURNISHED
EXCAVATION - SEE SHEETS
8 & 9 FOR CROSS SECTIONS

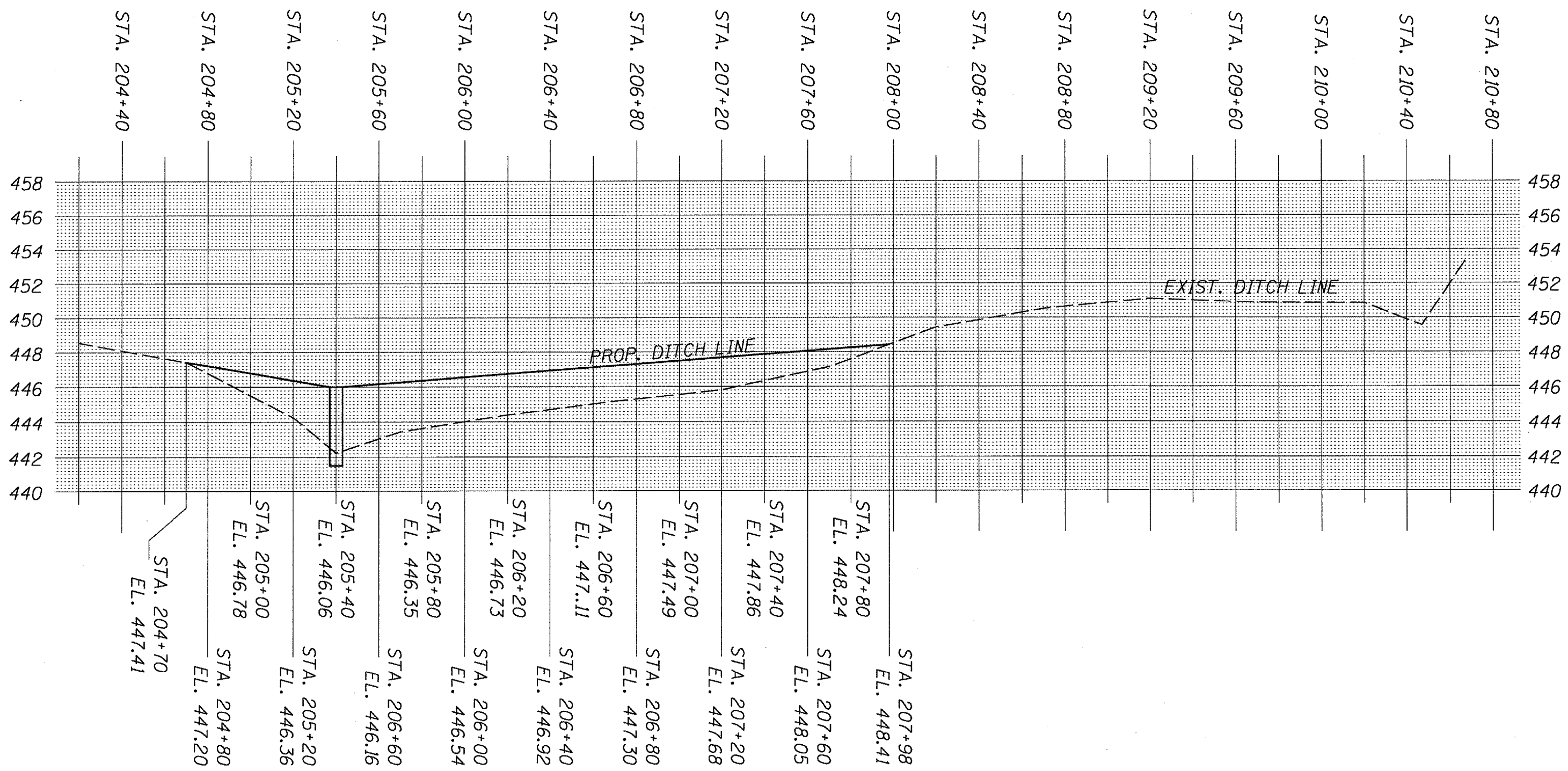
EXIST. TYPE A
GUTTER INLET,
STA. 204+20

EXIST. REINF. CONC. END SECT.
W/ FLAPGATE 42" T.B.R. STA.
205+40 - 55.45' LT

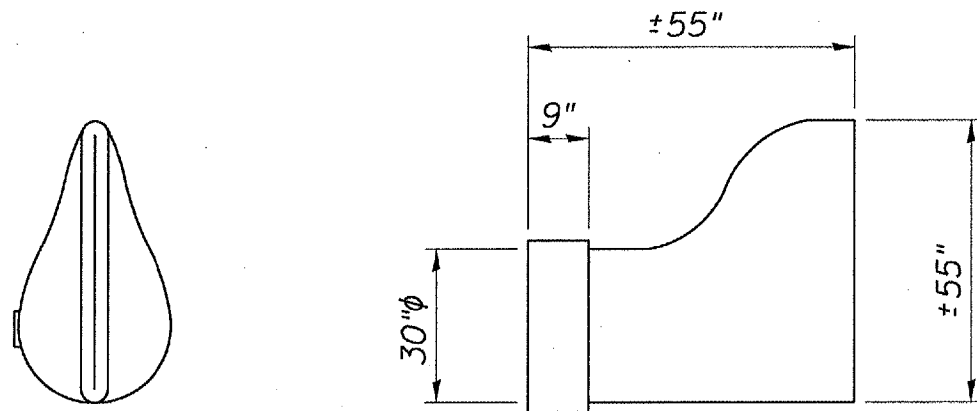
REINF. CONC. END
SECT. T.B.R. STA.
205+40 - 21.20' RT

PROP. PRECAST CONC. PIPE CULVERT 24"φ, 8'
W/ REINF. CONC. COLLAR AND SLIP-ON
CHECK VALVE 30"φ - 63.45' LT - SEE SHEETS
6 & 7 FOR DETAILS

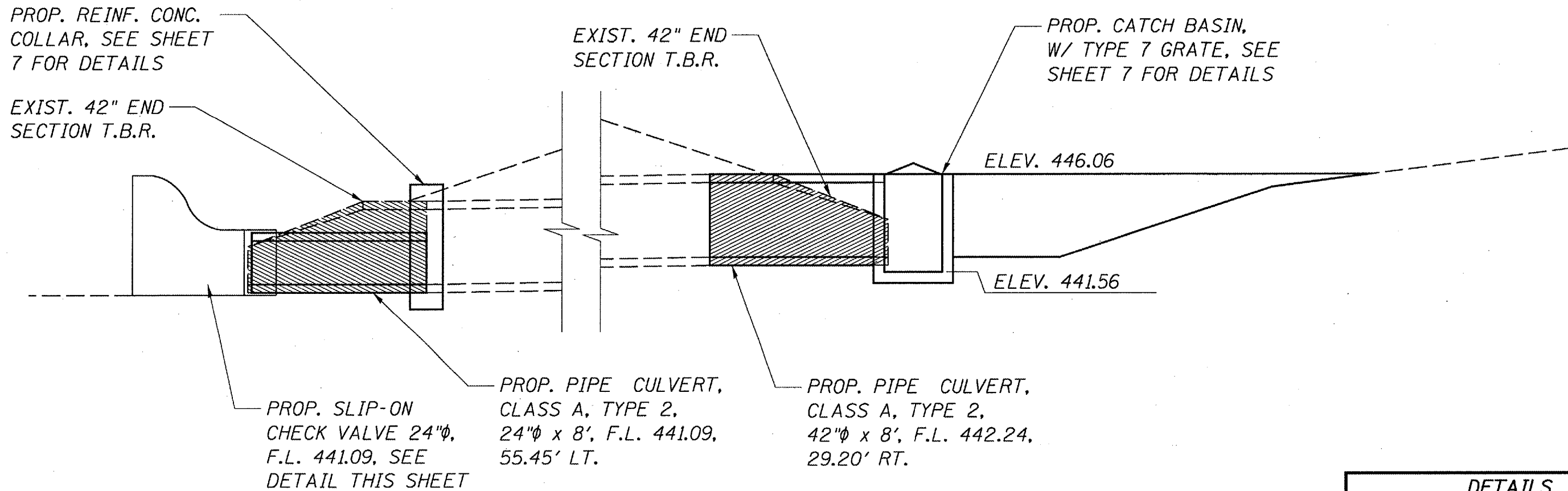
PLAN
FAP 612 (IL 100)
SECTION 112I-2
SCHUYLER COUNTY



ELEVATIONS
FAP 612 (IL 100)
SECTION 112I-2
SCHUYLER COUNTY

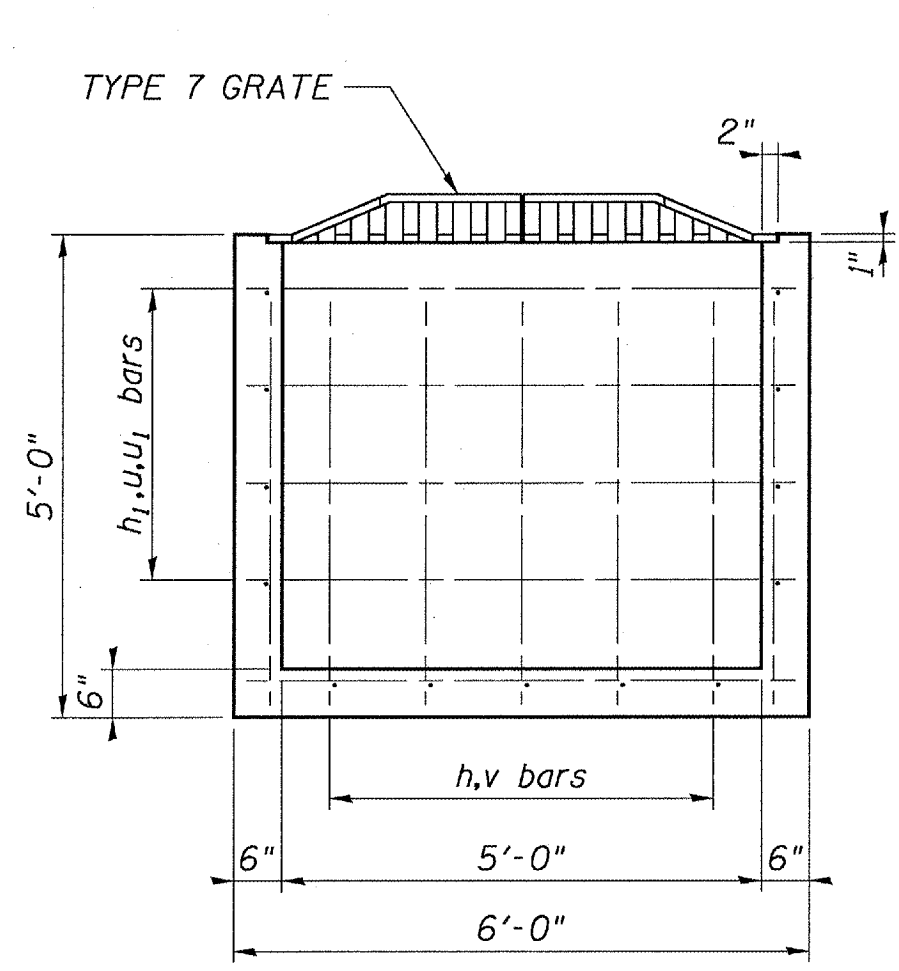


FLANGED CHECK VALVE



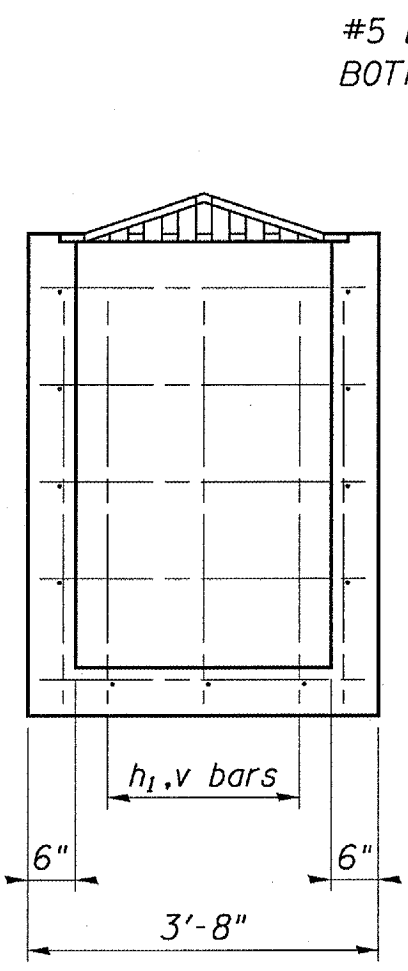
CULVERT EXTENSION STATION 205+40

DETAILS
FAP 612 (IL 100)
SECTION 112I-2
SCHUYLER COUNTY



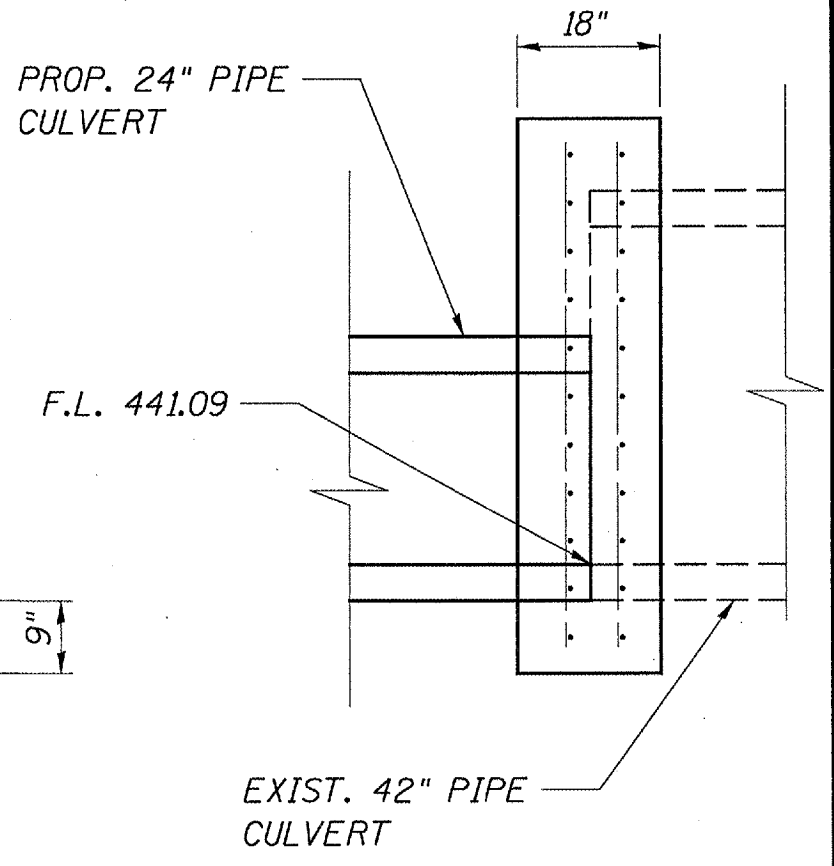
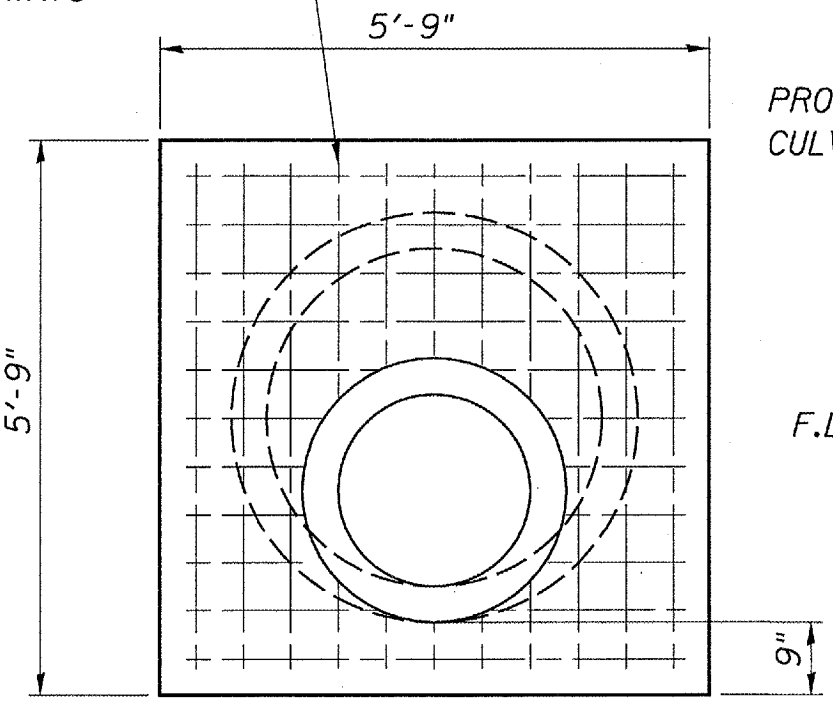
CATCH BASIN

BILL OF MATERIAL CATCH BASIN					
BAR	NO	SIZE	SPACING	LENGTH	SHAPE
h	5	#4	12"	3'-5"	—
h_1	3	#4	12"	5'-9"	—
u	8	#4	12"	7'-0"	U
u_1	8	#4	12"	4'-6"	U
v	16	#4	12"	4'-3"	—
CONCRETE				CU YD	1.70
REINF BARS				LB	161

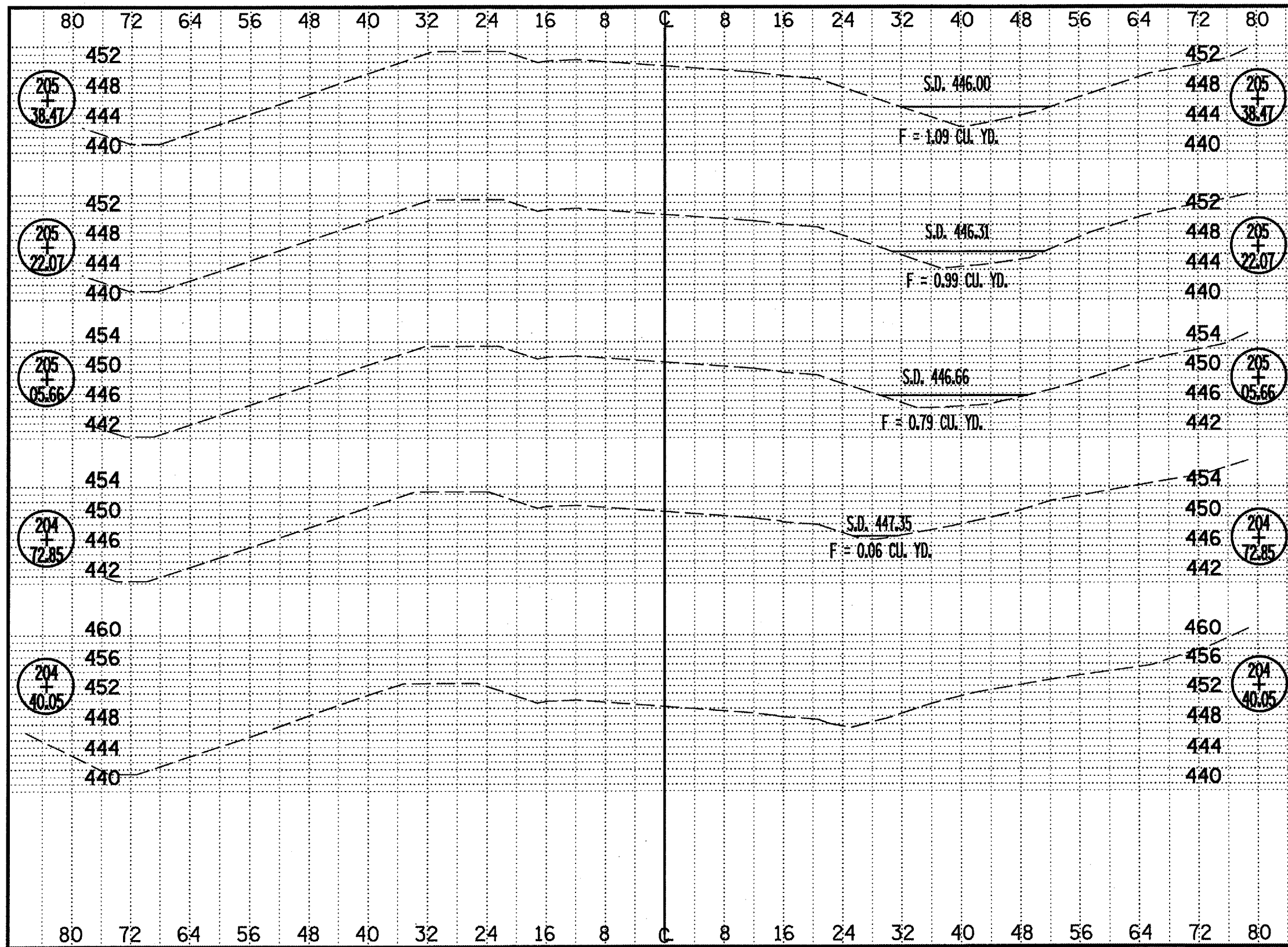


REINFORCED CONCRETE COLLAR

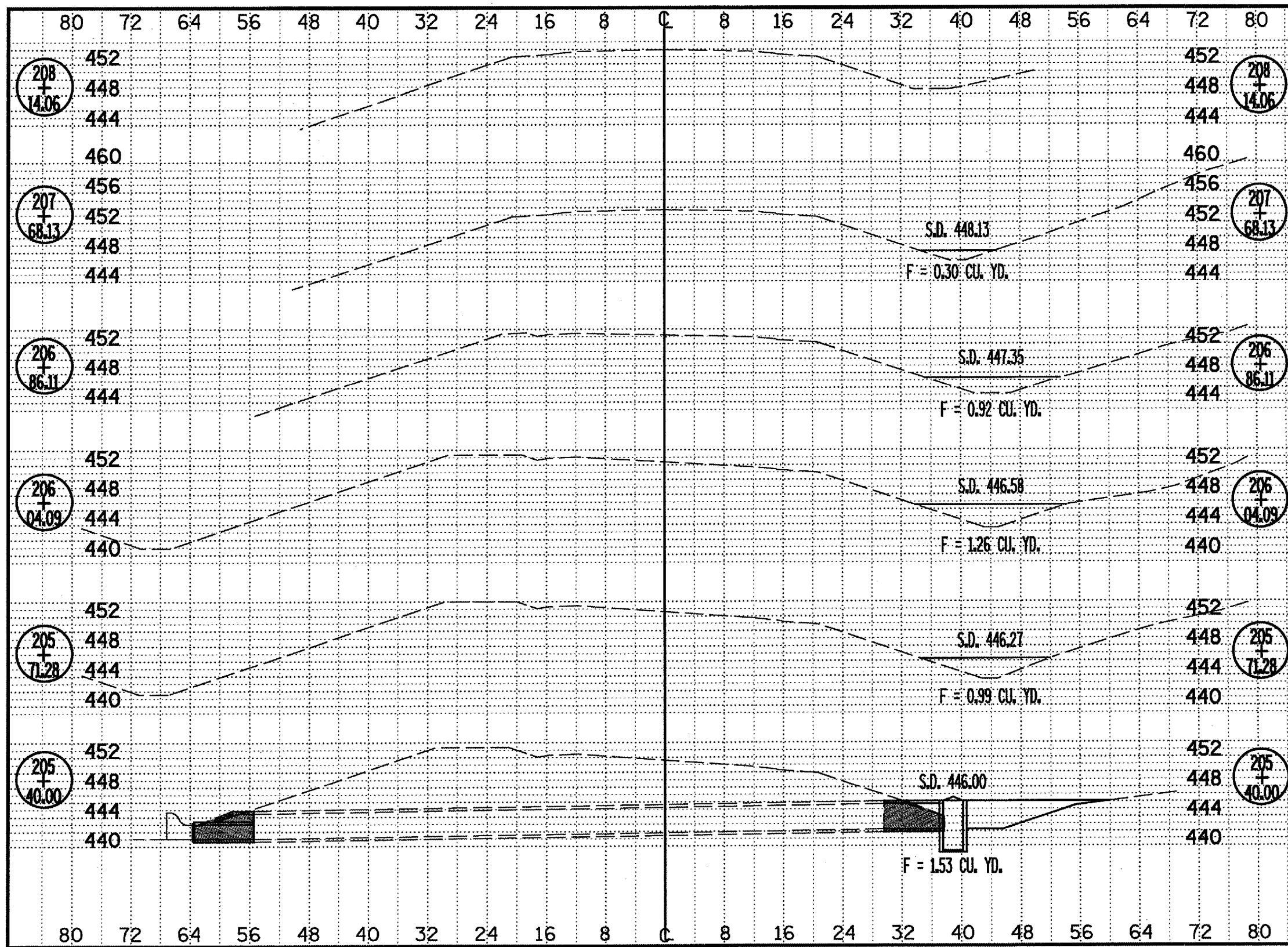
BILL OF MATERIAL REINFORCED CONCRETE COLLAR				
NO	SIZE	SPACING	LENGTH	SHAPE
44	#4	6"	5'-3"	—
CONCRETE			CU YD	1.50
REINF BARS			LB	241



DETAILS
FAP 612 (IL 100)
SECTION 112I-2
SCHUYLER COUNTY



CROSS SECTIONS
FAP 612 (IL 100)
SECTION 112I-2
SCHUYLER COUNTY



CROSS SECTIONS
FAP 612 (IL 100)
SECTION 112I-2
SCHUYLER COUNTY