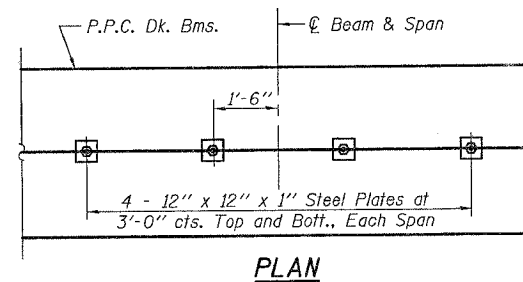
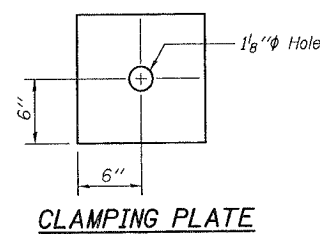
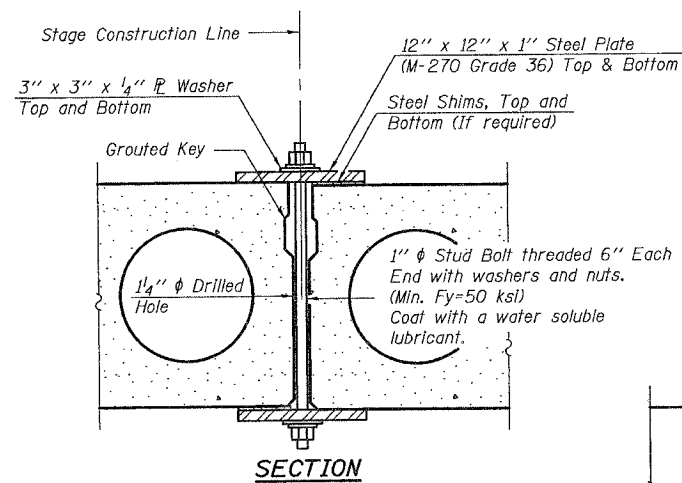
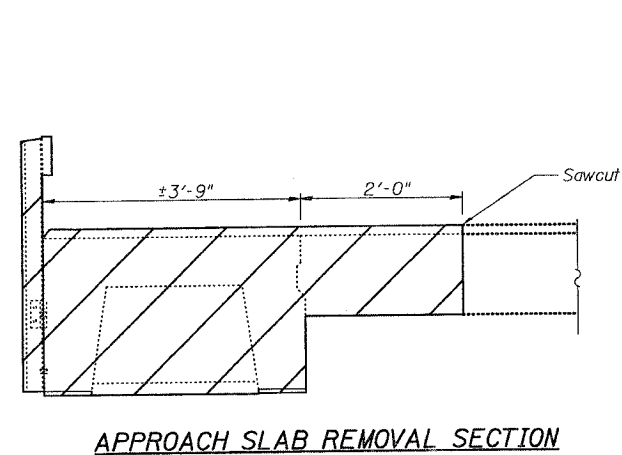
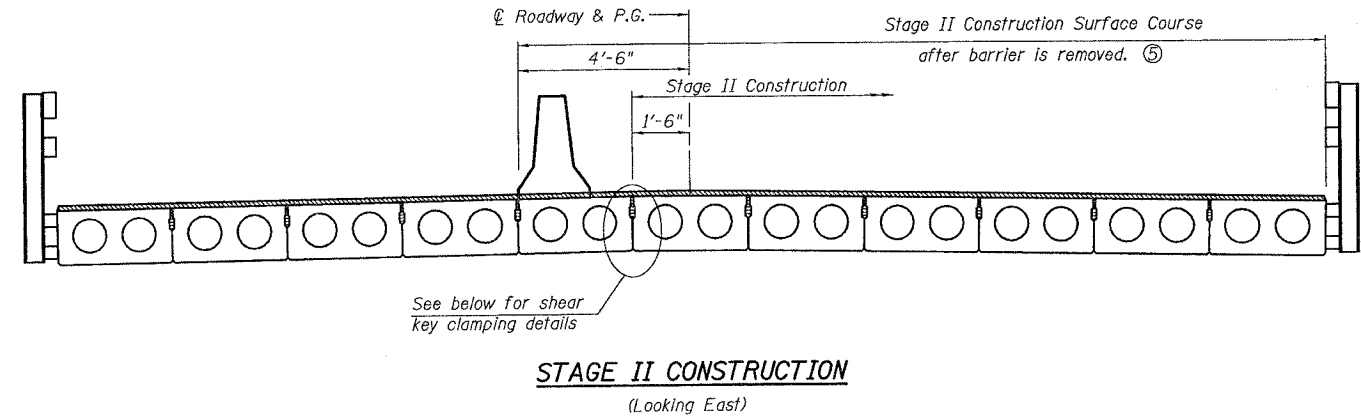
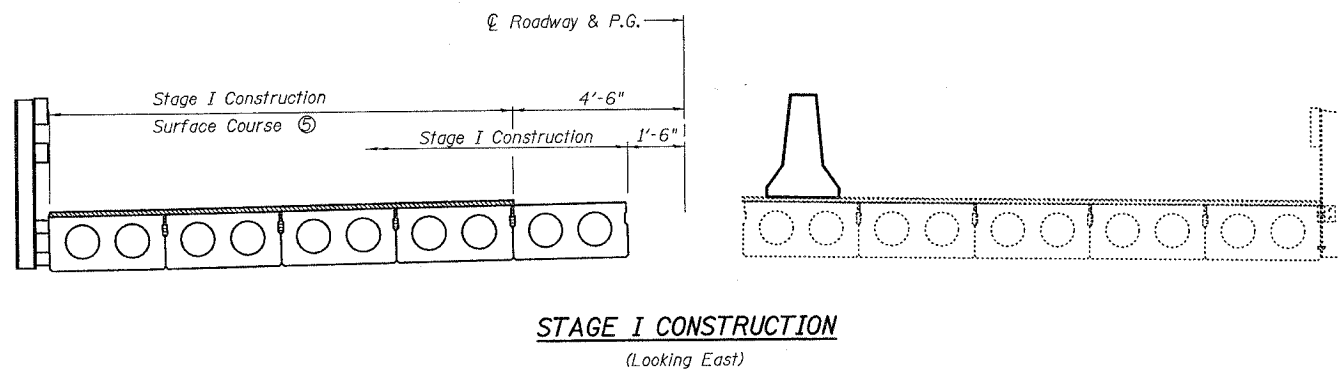
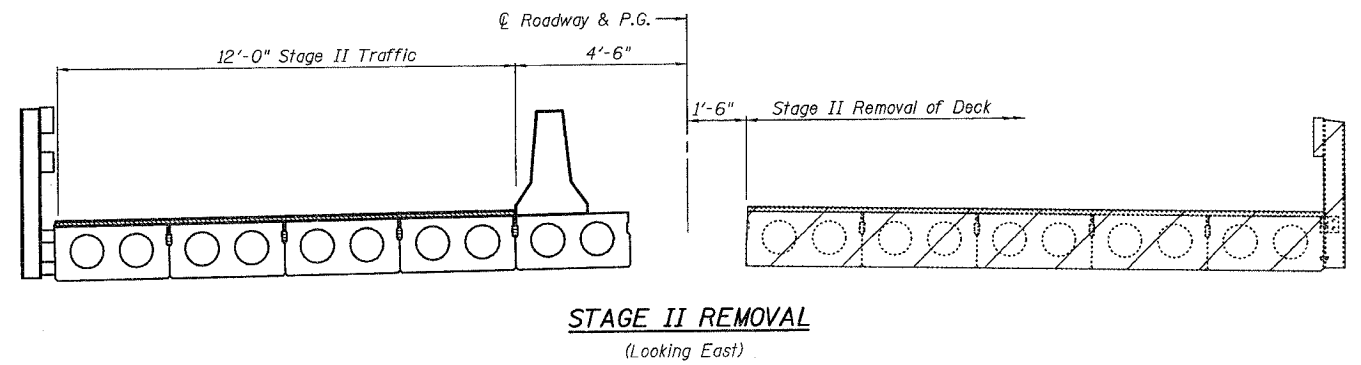
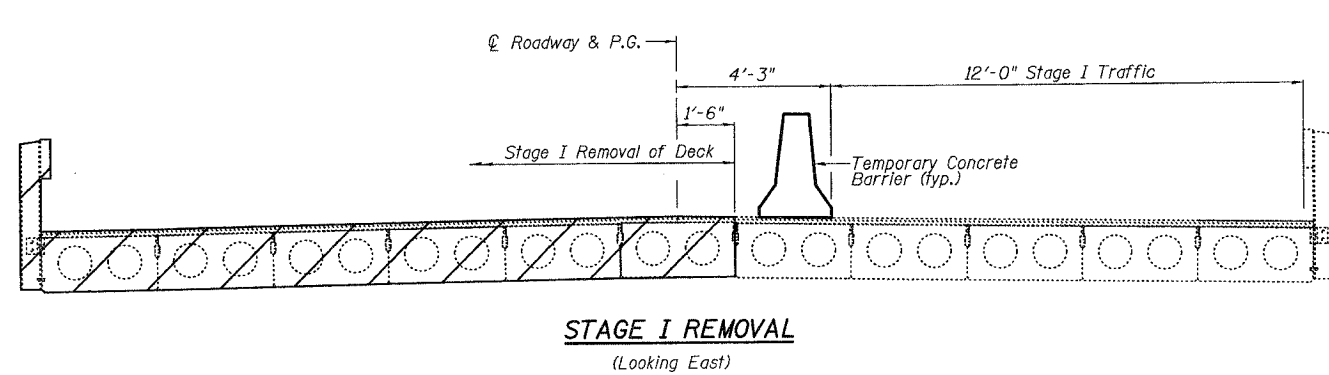


STATE OF ILLINOIS
DEPARTMENT OF TRANSPORTATION

ROUTE NO.	SECTION	COUNTY	TOTAL SHEETS	SHEET NO.	SHEET NO. 2
FAP 789	56-BR-1	MADISON	23	11	8 SHEETS
FED. ROAD DIST. NO. 7					ILLINOIS
FED. AID PROJECT -					
Contract #76965					



- Notes:
- For quantity of Temporary Concrete Barrier, see roadway plans.
 - For details of Temporary Concrete Barrier, see sheet 3 of 8.
 - See Special Provisions for Stage Construction Precast Prestressed Concrete Deck Beams.
 - Cost of shear key clamps is included with Precast Prestressed Concrete Deck Beams (17" Depth).
 - See sheet 3 of 8 for Surface Course and Waterproofing Membrane System detail and notes.

STAGE CONSTRUCTION DETAILS
IL ROUTE 143 OVER LITTLE MOONEY CREEK
F.A.P. ROUTE 789 - SECTION 56-BR-1
MADISON COUNTY
STA. 108+74
STRUCTURE NO. 060-0147

SHEAR KEY CLAMPING DETAILS AT STAGE CONST. JT.