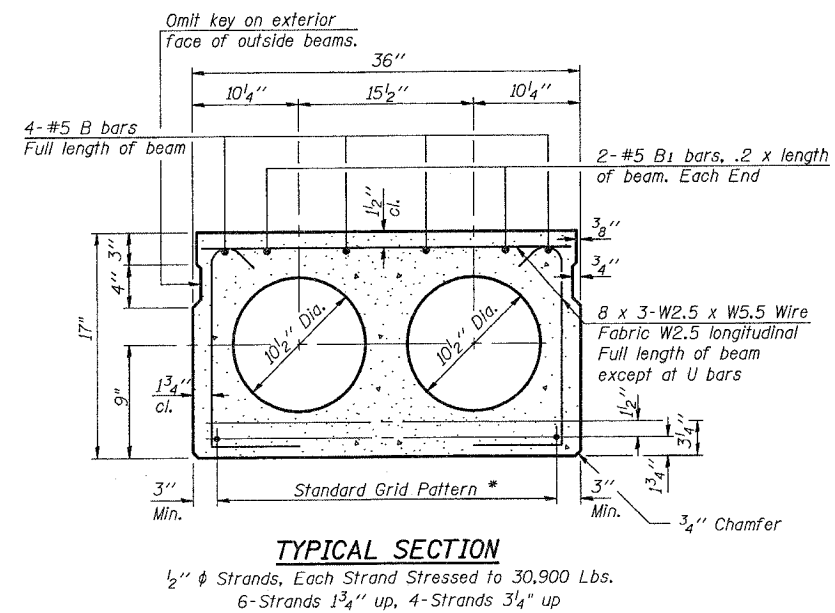
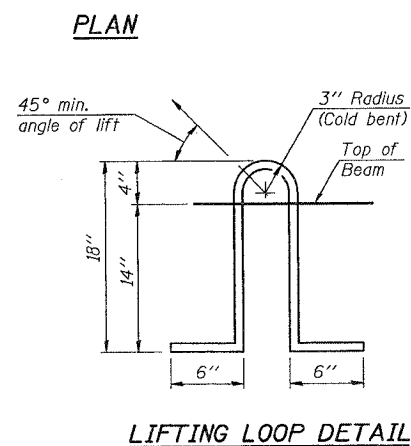
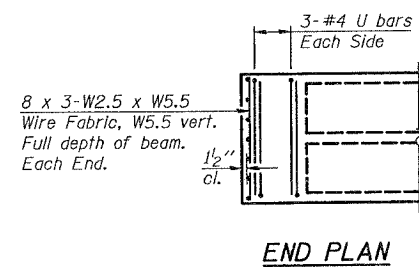
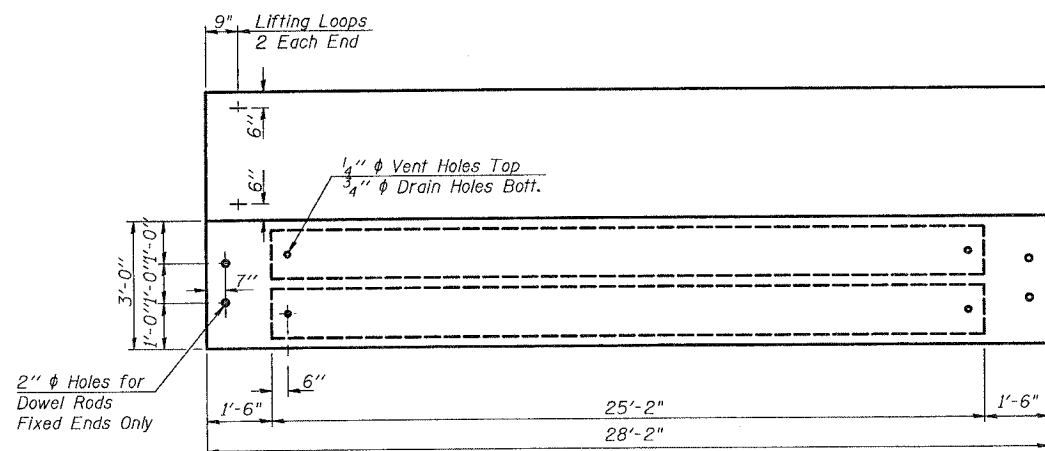
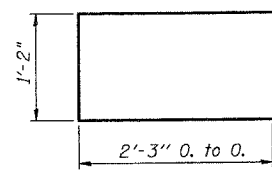
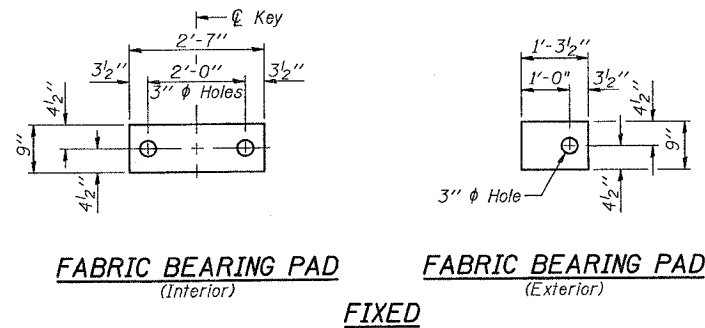


STATE OF ILLINOIS  
DEPARTMENT OF TRANSPORTATION

ROUTE NO.	SECTION	COUNTY	TOTAL SHEETS	SHEET NO.	SHEET NO. 5 8 SHEETS
FAP 789	56-BR-1	MADISON	23	14	
FED. ROAD DIST. NO. 7	ILLINOIS	FED. AID PROJECT			

Contract #76965



\* Transverse Strand Placement Guidelines

1. Place strands symmetrically about centerline of beam.
2. The minimum distance from center to center of strands in all directions shall be 2".
3. The minimum clearance from strand to dowel hole shall be 1/2".
4. The minimum clearance from strand to void shall be 1 1/2".

Vertical placement of strands shall not be adjusted to satisfy the above guidelines.

**NOTES**

1. Prestressing steel shall be uncoated high strength, low relaxation 7-wire strand, Grade 270.
2. The nominal diameter shall be 1/2" and the nominal cross-sectional area shall be 0.153 sq. in.
3. Lifting loops shall be 2-1/2"  $\phi$  270 ksi strands, as shown.
4. The bearing seat surfaces shall be adjusted by shimming to assure firm and even bearing. Two 1/8" fabric adjusting shims of the dimensions of the Exterior Bearing Pad shall be provided for each bearing.
5. Keyway surfaces shall be cleaned to remove form oil or other bond breaking material prior to shipment of the beams. Cleaning shall be done by sandblasting the keyway areas between top of the beam and the bottom edge of the key.
6. Corrosion Inhibitor, as covered in the Special Provisions, shall be used in the concrete for precast prestressed concrete deck beams.
7. Required Release Strength, f'ci, shall be 4,000 p.s.i.
8. Temporary Concrete Barrier inserts shall be cast in precast beams along Stage Construction Joint. See sheet 3 of 8 for location of inserts.
9. Each beam shall have four lifting loops, two cast in each end as shown. Loops shall be burned off after beams have been erected.

**SUPERSTRUCTURE BILL OF MATERIAL**

Item	Unit	Quantity
Precast Prestressed Concrete Deck Beams (17" Depth)	Sq. Ft.	930

**SUPERSTRUCTURE DETAILS**  
**IL ROUTE 143 OVER LITTLE MOONEY CREEK**  
**F.A.P. ROUTE 789 - SECTION 56-BR-1**  
**MADISON COUNTY**  
**STA. 108+74**  
**STRUCTURE NO. 060-0147**