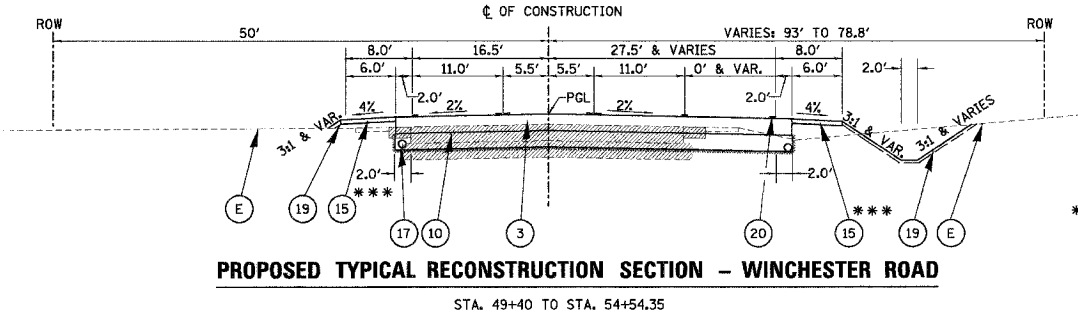
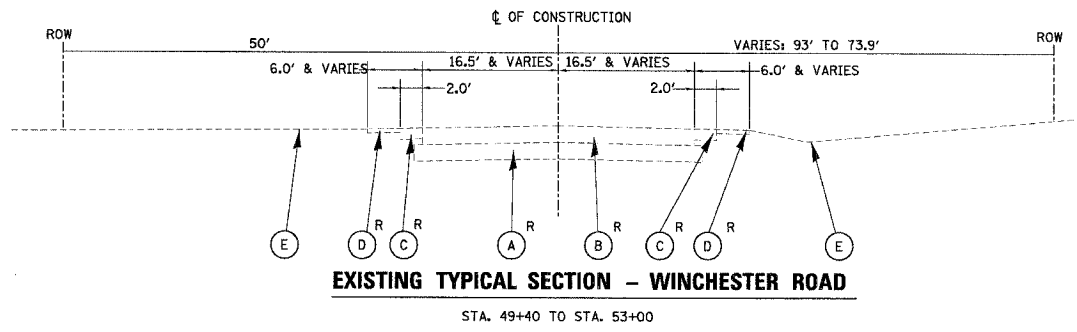
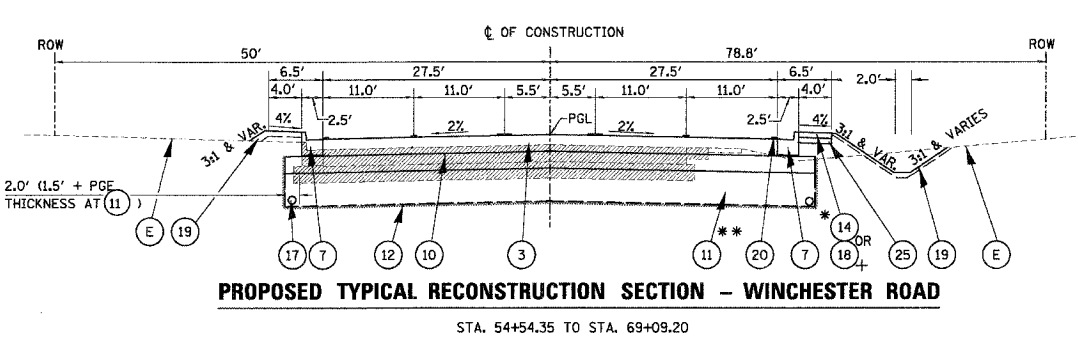
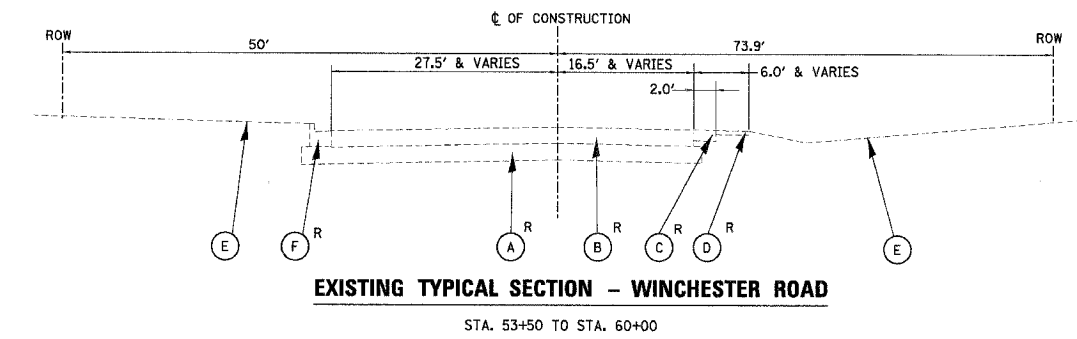


FAU	SECTION	COUNTY	TOTAL SHEETS	SHEET NO.
2647	99-00142-07-WR	LAKE	256	10
CONTRACT NO: 83815				
FED. ROAD DIST. NO. 1 ILLINOIS FED. AID PROJECT				

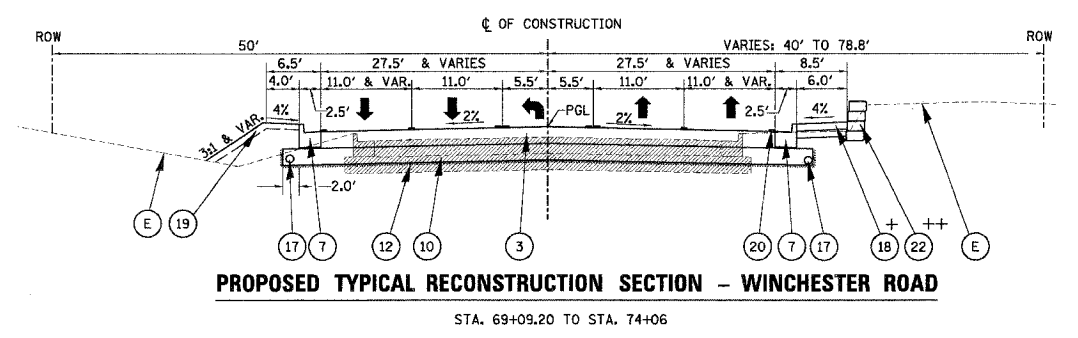
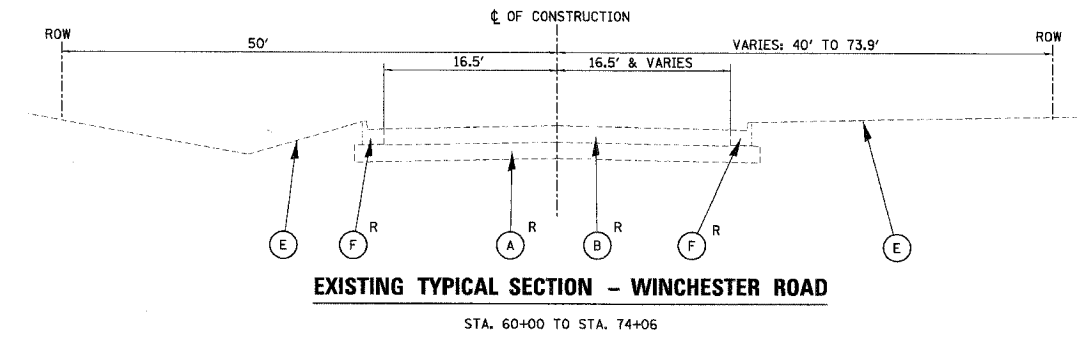


*** AGGREGATE SHOULDER LIMITS:
STA. 49+40 TO STA. 54+58 (L.T.)
STA. 49+40 TO STA. 54+36 (RT.)



+ SIDEWALK LIMITS:
STA. 53+42 TO STA. 53+55 (L.T.)
STA. 53+96 TO STA. 54+11 (L.T.)
STA. 65+22 TO STA. 65+62 (L.T.)
STA. 67+80 TO STA. 71+70 (RT.)
STA. 67+91 TO STA. 68+31 (L.T.)

* BITUMINOUS SHOULDER LIMITS:
STA. 54+36 TO STA. 63+15 (RT.)



+ SIDEWALK LIMITS:
STA. 72+91 TO STA. 73+40 (L.T.)
STA. 73+21 TO STA. 73+30 (RT.)
STA. 73+68 TO STA. 74+11 (L.T.)
STA. 73+78 TO STA. 73+92 (RT.)

++ WALL LIMIT:
STA. 68+20 TO STA. 70+00

PROPOSED LEGEND

EXISTING LEGEND

- (A) EXISTING AGGREGATE BASE
- (B) EXISTING BITUMINOUS PAVEMENT
- (C) EXISTING BITUMINOUS SHOULDER
- (D) EXISTING GRAVEL SHOULDER
- (E) EXISTING GROUND LINE
- (F) EXISTING CONCRETE CURB & GUTTER
- (G) EXISTING CONCRETE PAVEMENT REMOVAL
- (H) EXISTING SIDEWALK
- (J) EXISTING MEDIAN SURFACE

/// R = REMOVAL

- (1) POLYMERIZED BITUMINOUS CONCRETE SURFACE COURSE, SUPERPAVE, MIX "F", N90; 1-3/4"
- (2) BITUMINOUS CONC. PAVEMENT (FULL DEPTH), SUPERPAVE 12 1/2"
- POLYMERIZED BITUMINOUS CONCRETE SURFACE COURSE, SUPERPAVE, MIX "F", N90; 1-3/4"
- POLYMERIZED LEVELING BINDER (MACHINE METHOD), SUPERPAVE, IL-4.75, N50; 3/4"
- POLYMERIZED BITUMINOUS CONCRETE BINDER COURSE, SUPERPAVE, IL-19, N90; 10"
- (3) BITUMINOUS CONC. PAVEMENT (FULL DEPTH), SUPERPAVE 12"
- BITUMINOUS CONC. SURFACE COURSE, SUPERPAVE, MIX D, N70; 2"
- BITUMINOUS CONC. BINDER COURSE, SUPERPAVE, IL-19, N70; 10"
- (4) AGGREGATE BACKFILL
- (5) POLYMERIZED LEVELING BINDER (MACHINE METHOD), SUPERPAVE, IL-4.75, N50; 3/4"
- (6) COMBINATION CONC. CURB & GUTTER, TY B-6.12
- (7) COMBINATION CONC. CURB & GUTTER, TY B-6.24
- (8) COMBINATION CONC. CURB & GUTTER, TY M-4.12
- (9) COMBINATION CONC. CURB & GUTTER, TY M-4.24
- (10) AGGREGATE SUBGRADE 12"
- (11) POROUS GRANULAR EMBANKMENT SUBGRADE, UNDERCUTTING (PAID AS REMOVAL AND DISPOSAL OF UNSUITABLE MATERIAL)
- (12) GEOTECHNICAL FABRIC FOR GROUND STABILIZATION

- (13) STAMPED COLORED PORTLAND CEMENT CONCRETE MEDIAN SURFACE 4 INCH (SPECIAL)
- (14) BITUMINOUS SHOULDERS
- (PAID AS BITUMINOUS CONC. SURFACE COURSE, SUPERPAVE, MIX D, N70; 1 1/2")
- (PAID AS BITUMINOUS CONC. BINDER COURSE, SUPERPAVE, IL-19, N70; 2 1/2")
- (15) AGGREGATE SHOULDER, TYPE A 6"
- (16) BITUMINOUS SURFACE REMOVAL 2 1/2" (VARIES: 2 1/2" TO 3")
- (17) PIPE UNDERDRAINS 4" (MODIFIED)
- (18) PORTLAND CEMENT CONCRETE SIDEWALK 5 INCH, SPECIAL
OVER 4" AGGREGATE BASE COURSE TYPE A (SPECIAL) (INCLUDED IN SIDEWALK COST)
- (19) SODDING FERTILIZER NUTRIENTS FURNISHING AND PLACING TOPSOIL, 4"
- (20) PAVEMENT MARKINGS
- (21) LANDSCAPED MEDIAN
- (22) RETAINING WALL (SPECIAL)
- (23) CONCRETE MEDIAN SURFACE 4 INCH
- (24) BITUMINOUS SHOULDER (FULL DEPTH), SUPERPAVE 12 1/2"
- BITUMINOUS CONC. SURFACE COURSE, SUPERPAVE, MIX "F", N90; 1 3/4"
- POLYMERIZED LEVELING BINDER (MACHINE METHOD), SUPERPAVE, IL-4.75, N50; 3/4"
- POLYMERIZED BITUMINOUS CONC. BINDER COURSE, SUPERPAVE, IL-19, N70; 10"
- (25) AGGREGATE BASE COURSE TYPE A (SPECIAL) 4"

** PGES LIMITS:
STA. 54+00 TO STA. 57+00
STA. 64+00 TO STA. 67+00

ESTIMATED QUANTITY WAS BASED ON ROADWAY SOILS INVESTIGATION; ACTUAL LOCATION AND DEPTH OF UNDERCUTS WILL BE DETERMINED IN THE FIELD BY THE ENGINEER. PROPOSED EXCAVATION TO SUBGRADE ELEVATION WILL BE PAID AS EARTH EXCAVATION

REVISIONS	
NAME	DATE

ILLINOIS DEPARTMENT OF TRANSPORTATION
**FAU 2647 - BUTTERFIELD ROAD
WINCHESTER ROAD
TYPICAL SECTIONS
STA. 49 + 50 TO STA. 74 + 06**

SCALE: NONE
DATE: 12/22/2005

DRAWN BY: BLL,ELA
CHECKED BY: BLL