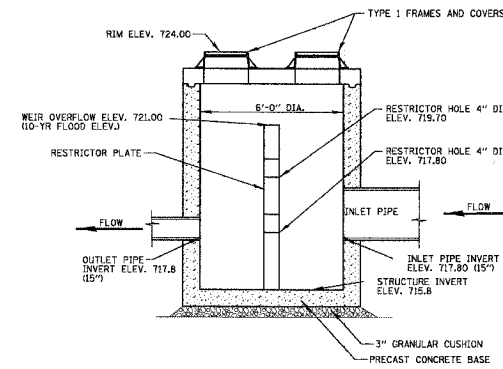


FAU	SECTION	COUNTY	TOTAL SHEET
2647	99-00142-07-WR	LAKE	256
CONTRACT NO: 83815			77
FED. ROAD DIST. NO. 1 ILLINOIS FED. AID PROJECT			



SECTION

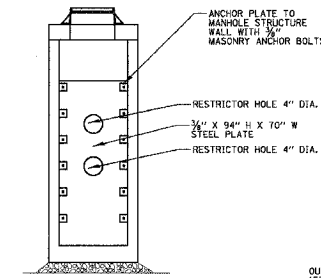
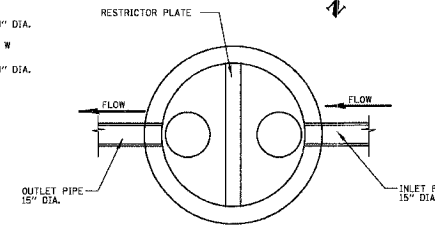
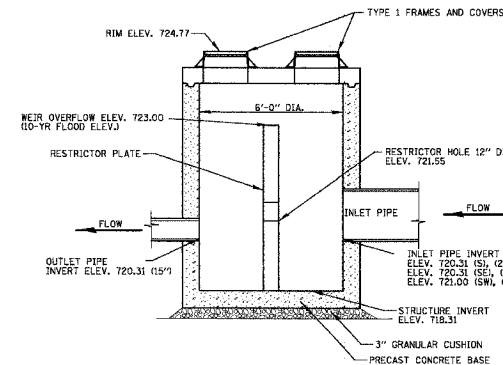


PLATE ELEVATION VIEW



PLAN VIEW  
(SHOWING PIPE AND RESTRICTOR ORIENTATION)

PLATE RESTRICTOR DETAIL  
STRUCTURE S211 - STA. 130+00 56.5 LT.



SECTION

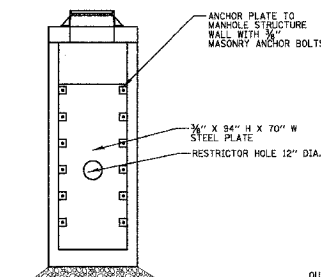
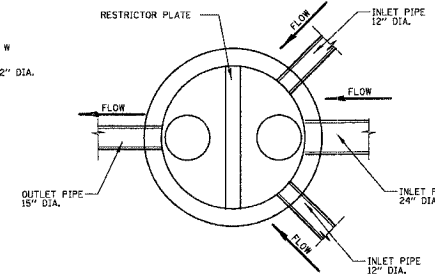
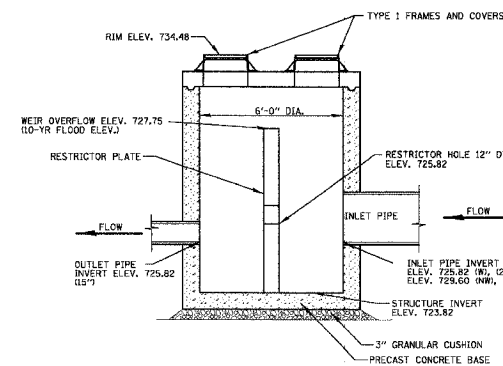


PLATE ELEVATION VIEW



PLAN VIEW  
(SHOWING PIPE AND RESTRICTOR ORIENTATION)

PLATE RESTRICTOR DETAIL  
STRUCTURE S500 - STA. 168+27 36.5 RT.



SECTION

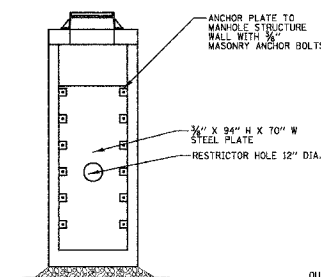
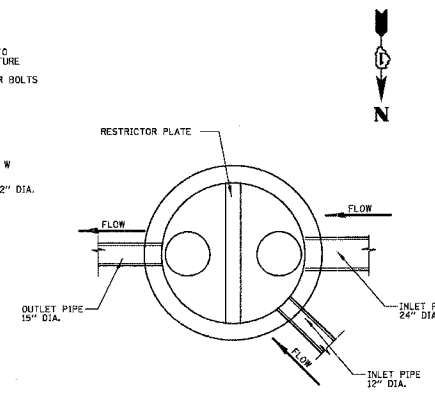


PLATE ELEVATION VIEW



PLAN VIEW  
(SHOWING PIPE AND RESTRICTOR ORIENTATION)

PLATE RESTRICTOR DETAIL  
STRUCTURE S619 - STA. 190+48 36.5 RT.

REVISIONS	
NAME	DATE

ILLINOIS DEPARTMENT OF TRANSPORTATION  
**FAU 2647 - BUTTERFIELD ROAD  
 UTILITY AND DRAINAGE PLAN  
 BUTTERFIELD ROAD  
 AND ILLINOIS ROUTE 137**

SCALE: NONE DRAWN BY: PMM  
 DATE: 12/2/2005 CHECKED BY: MJP