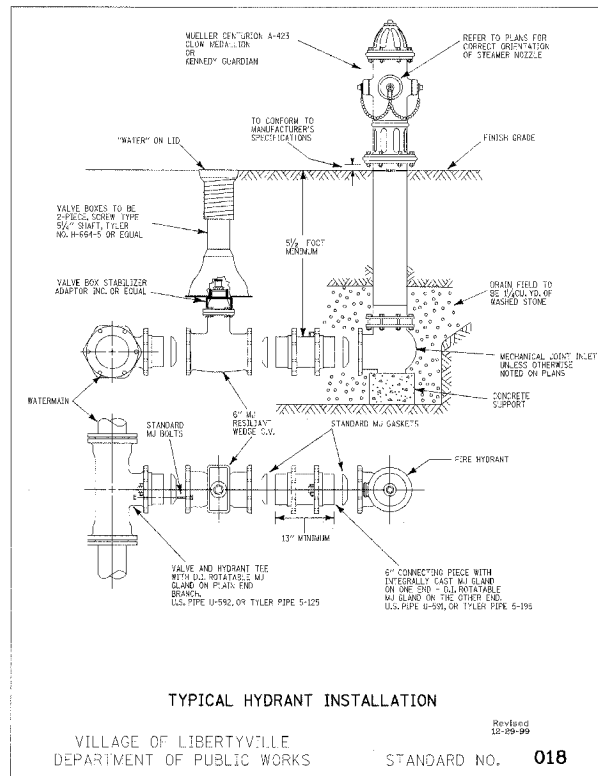
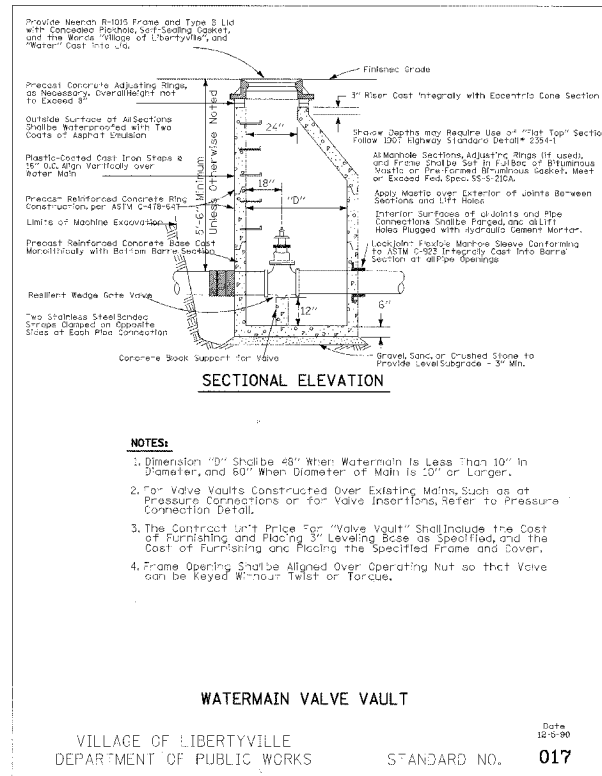
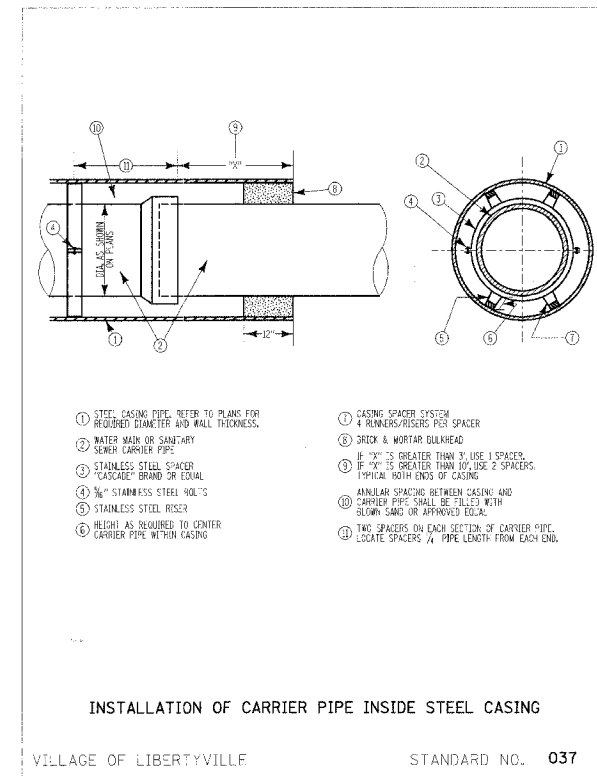
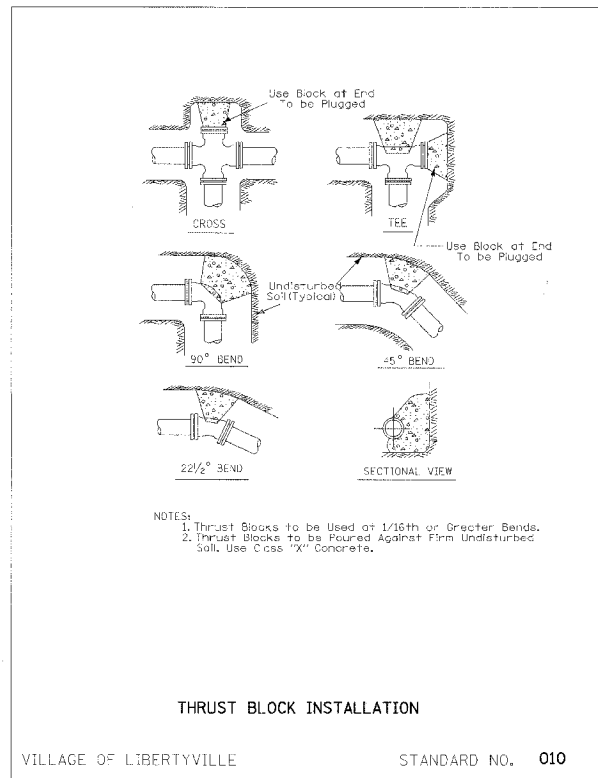
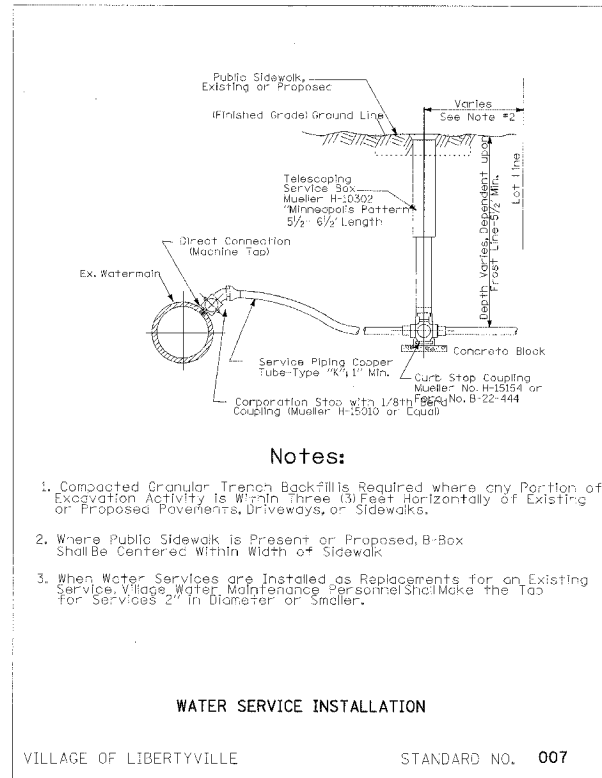


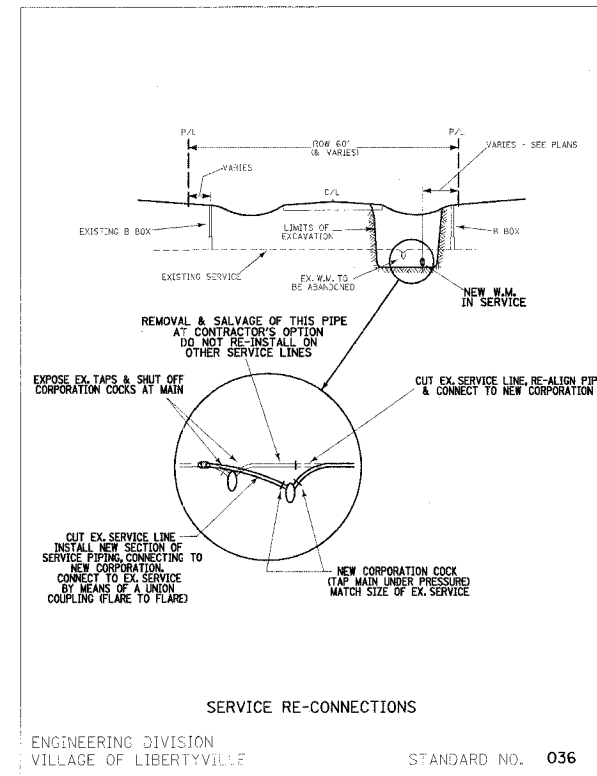
FAU	SECTION	COUNTY	TOTAL SHEETS	SHEET NO.
2647	99-00142-07-WR	LAKE	256	79
CONTRACT NO: 83815				
ILLINOIS FED. AID PROJECT				



FIRE HYDRANT TO BE RELOCATED

SEQUENCE OF CONSTRUCTION:

1. CLOSE EXISTING VALVE
2. REMOVE EXISTING HYDRANT
3. INSTALL HYDRANT EXTENSION AND NEW VALVE
4. RELOCATE EXISTING HYDRANT
5. OPEN EXISTING VALVE, REMOVE BOX
6. BACKFILL
7. FLUSH AND TEST FOR CHLORIDE RESIDUAL AND PROVIDE TEST ALL WORK TO BE DONE IN ACCORDANCE WITH ARTICLE 564 OF THE STANDARD SPECIFICATIONS. NEW VALVE AND BOX SHALL BE SAME MAKE AND MODEL AS EXISTING.



REVISIONS	
NAME	DATE

ILLINOIS DEPARTMENT OF TRANSPORTATION
FAU 2647 - BUTTERFIELD ROAD
VILLAGE OF LIBERTYVILLE
WATER MAIN DETAILS

SCALE: NONE DRAWN BY: ELA
DATE: 12/2/2005 CHECKED BY: MJP

150
12/2/2005
N:\LIBERTYVILLE\99-389\CD\1\99389.TBL
N:\LIBERTYVILLE\99-389\CD\1\99389_3.dwg